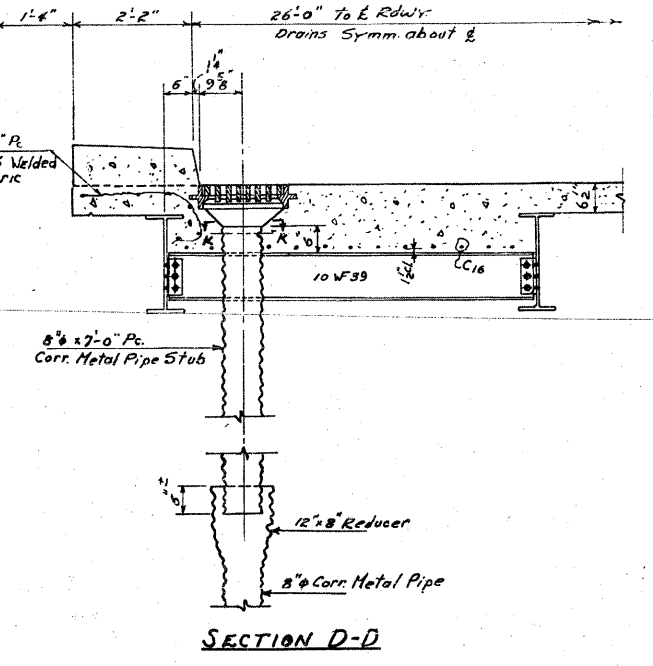
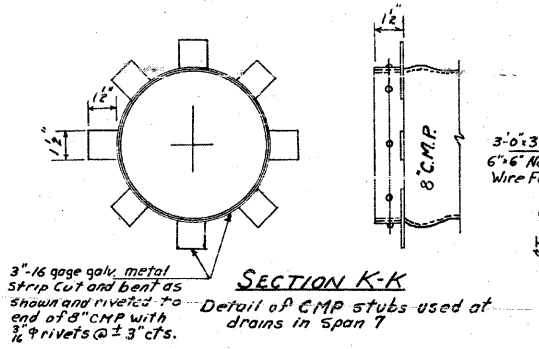
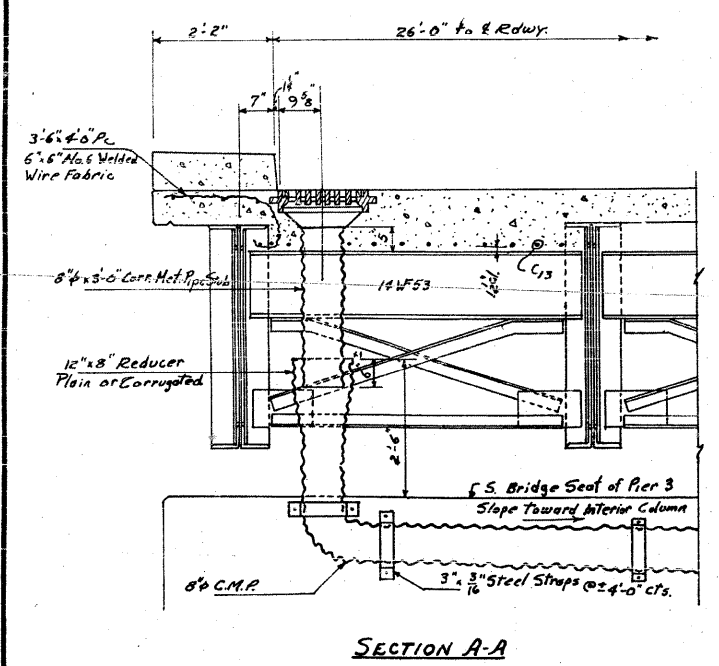
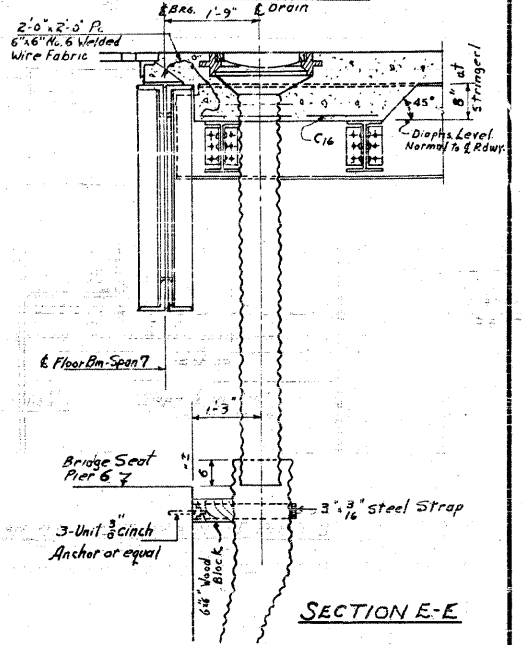
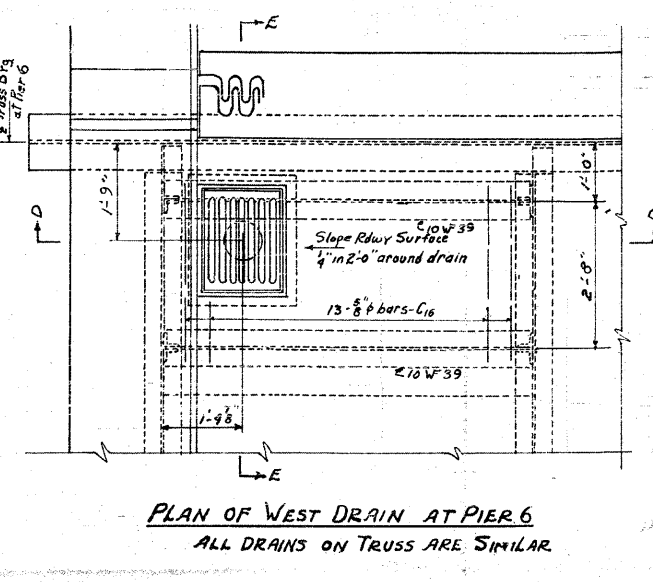
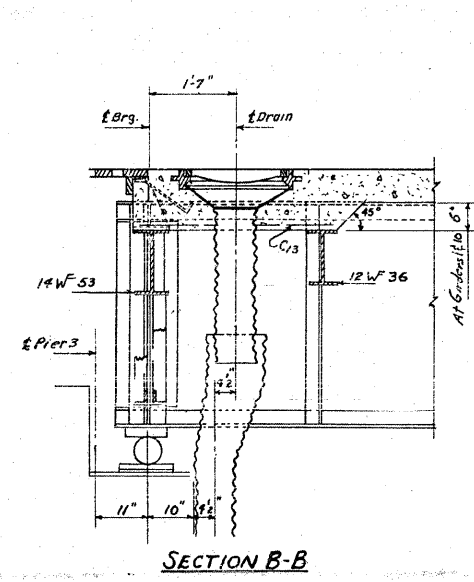
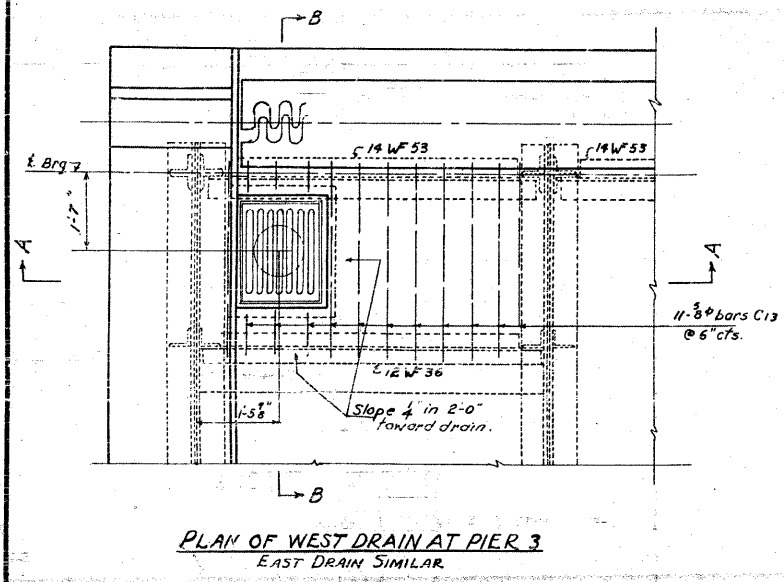


STATE OF ILLINOIS
DEPARTMENT OF PUBLIC WORKS & BUILDINGS
DIVISION OF HIGHWAYS

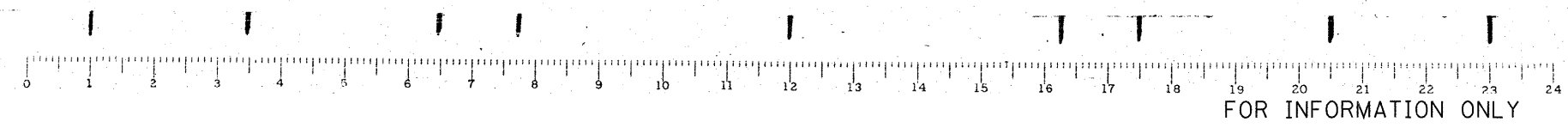
WORK SHEET NO.	SECTION	COUNTY	TOTAL SHEETS	SHEET NO.
		St. Clair	255	119
SHEET NO. 19				
30 SHEETS				
FED. ROAD DIST. NO. 1				
ILLINOIS				
FED. AID PROJECT				



COST OF 8" C.M.P. STUBS TO BE INCLUDED IN UNIT PRICE BID FOR CLASS X CONCRETE.
COST OF REDUCERS TO BE INCLUDED IN THE UNIT PRICE BID FOR 8" C.M.P.
CUT ALL REINFORCEMENT BARS IN THE FIELD TO FIT AROUND DRAIN OPENINGS.
THE COST OF WELDED WIRE FABRIC SHALL BE INCLUDED IN THE UNIT PRICE BID PER CU. YD. FOR CLASS X CONCRETE FOR SEC. 64-1VD.
FOR DETAILS OF FRAME AND GRATES SEE SHEET 17.
FOR LOCATION OF DRAINS ON PIERS SEE SHEET 18.

COMPUTED	W. N. Sommer	EXAMINED	B-10 1954
CHECKED	A. J. Harris	ENGINEER OF PUBLIC WORKS & BUILDINGS	W. E. Hanson
DRAWN	WOLB T.D.B.	PASSED	[Signature]
CHECKED	A. J. H.	APPROVED	[Signature]
ASSEMBLED			
CHECKED			

DRAINAGE DETAILS
MISSOURI PACIFIC R.R.
NORTH OF DUPO
F.A. ROUTE 4 ~ SEC. 64-1VD
ST. CLAIR COUNTY



FILE NAME =	USER NAME = CFC..	DESIGNED -	REVISED -	STATE OF ILLINOIS	SN 082-0030 PLANS	F.A.P. RTE.	SECTION	COUNTY	TOTAL SHEETS	SHEET NO.
... \119-D876882-exist-bridge-plans-19.dgn		DRAWN -	REVISED -	DEPARTMENT OF TRANSPORTATION	(ORIGINAL PLANS)	312	64-IVBR	ST. CLAIR	255	119
PLOT SCALE = 40.000000' / IN.		CHECKED -	REVISED -			CONTRACT NO. 76882				
PLOT DATE = 8/5/2010		DATE - / /	REVISED -			ILLINOIS FED. AID PROJECT				
CB JOB NO 09021					SCALE:	SHEET NO.	OF	SHEETS	STA.	TO STA.

CB Coombe-Bloxdorf P.C.
- CIVIL ENGINEERS -
- STRUCTURAL ENGINEERS -
- LAND SURVEYORS -
Design Firm License No. 184-002703