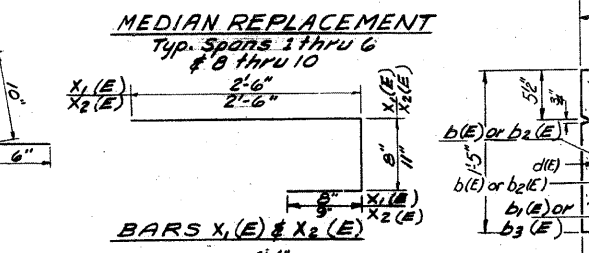
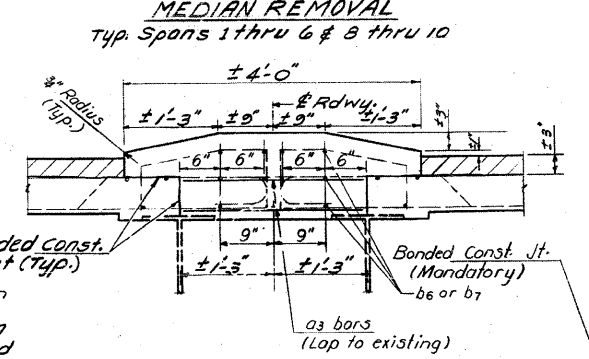
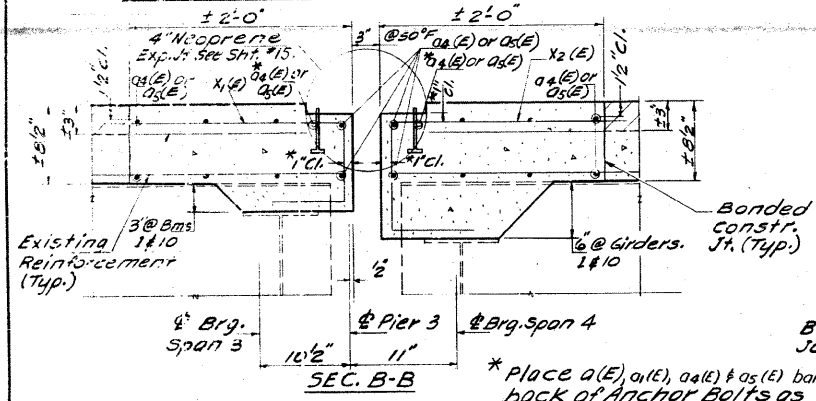
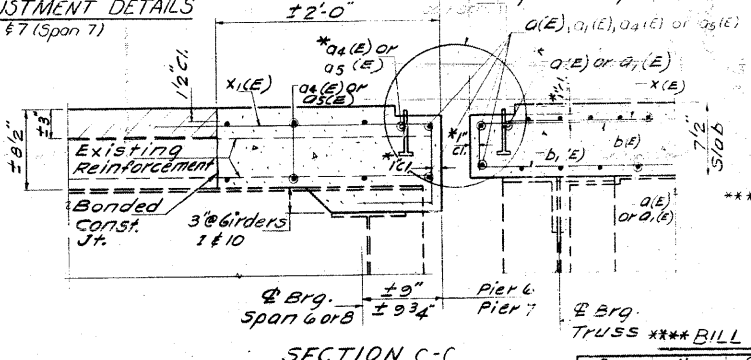
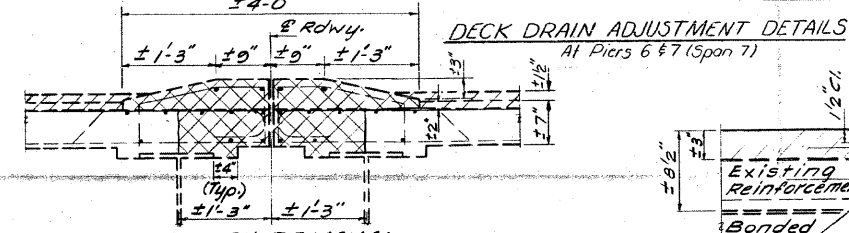
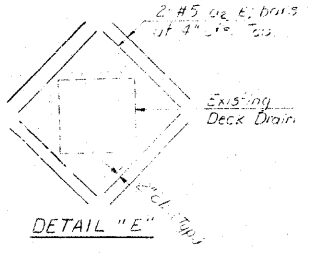
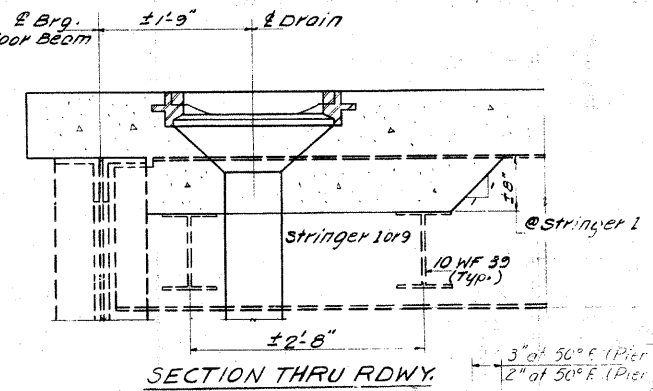
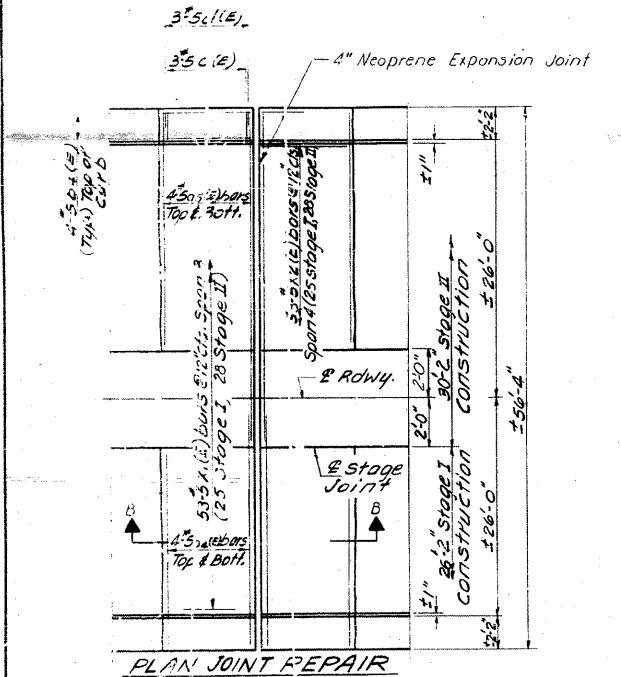


STATE OF ILLINOIS  
DEPARTMENT OF TRANSPORTATION

SECTION	COUNTY	TOTAL SHEETS	SHEET NO.
64-1VBR	ST. CLAIR	259	153

SHEET NO. 14  
15 SHEETS



Note: Cross hatched areas indicate Concrete Removal. Existing transverse reinforcement in the median portion and longitudinal reinforcement in the end joints is to be cleaned & incorporated into the new construction.  
Hatched areas indicate Bituminous Concrete Surface Removal, Concrete Bridge Deck Scarification & Plasticized Dense Concrete Overlay. See Sheet #2.

Note: Shift the location of the longitudinal bars in the curb as required to pass them through the existing holes in the floor beam brackets. See Detail C, Sheet #12.

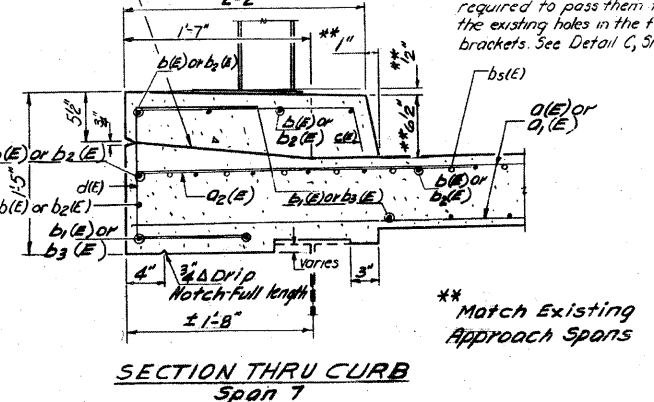
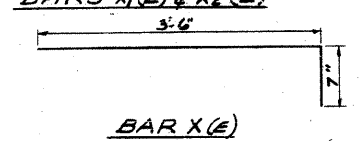
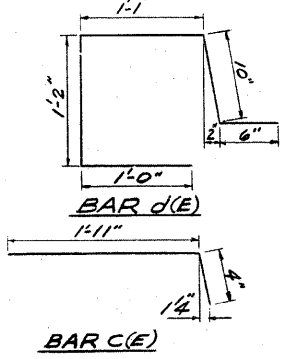
\*\*\* Includes 2' Removal & Replacement @ Spans 3, 4, 6 & 8. Minimum Removal & Replacement and Replacement @ Spans 1 & 2.

\*\*\* BILL OF MATERIAL

Bar	No.	Size	Length	Shape
a(E)	740	#5	23'9"	
a1(E)	740	#5	32'3"	
a2(E)	32	#5	2'10"	
a3	211B	#6	2'3"	
a4(E)	36	#5	2'19"	
a5(E)	36	#5	10'11"	
b(E)	402	#5	30'10"	
b1(E)	416	#5	23'10"	
b2(E)	134	#5	30'3"	
b3(E)	156	#5	20'9"	
b4(E)	32	#5	1'9"	
b5(E)	280	#6	14'0"	
b6	154	#5	29'10"	
b7	110	#5	30'10"	
C(E)	432	#5	2'3"	
d(E)	492	#5	4'7"	
X1(E)	106	#5	4'11"	
X1(E)	165	#5	3'10"	
X2(E)	53	#5	4'2"	
Class X Concrete Cu. Yds.				451.9
Reinforcement Bars Lbs.				15260
Reinforcement Bars (Epoxy Coated) Lbs.				58280

DESIGNED: *James J. Robinson*  
CHECKED: *James J. Robinson*  
DRAWN: *LH*  
CHECKED: *PG*

EXAMINED: *James J. Robinson*  
DATE: *Feb 4 1985*  
APPROVED: *James J. Robinson*  
DIRECTOR OF HIGHWAYS



SUPERSTRUCTURE DETAILS  
FA. RTE. 14 SEC. 64-1VBR  
ST. CLAIR COUNTY  
STA. 281+07.13

FOR INFORMATION ONLY

**CB** Coombe-Bloxdorf P.C.  
- CIVIL ENGINEERS -  
- STRUCTURAL ENGINEERS -  
- LAND SURVEYORS -  
Design Firm License No. 184-002703

FILE NAME = ...153-0876882-exist-bridge-repair-plans-23.dgn	USER NAME = CFC...	DESIGNED -	REVISED -	STATE OF ILLINOIS DEPARTMENT OF TRANSPORTATION	SN 082-0030 PLANS (REHABILITATION PLANS)	F.A.P. RTE. 312	SECTION 64-1VBR	COUNTY ST. CLAIR	TOTAL SHEETS 259	SHEET NO. 153
PLOT SCALE = 40,000,000 / IN.	PLOT DATE = 8/5/2010	DRAWN -	REVISED -	SCALE:	SHEET NO. OF SHEETS STA. TO STA.	ILLINOIS FED. AID PROJECT				