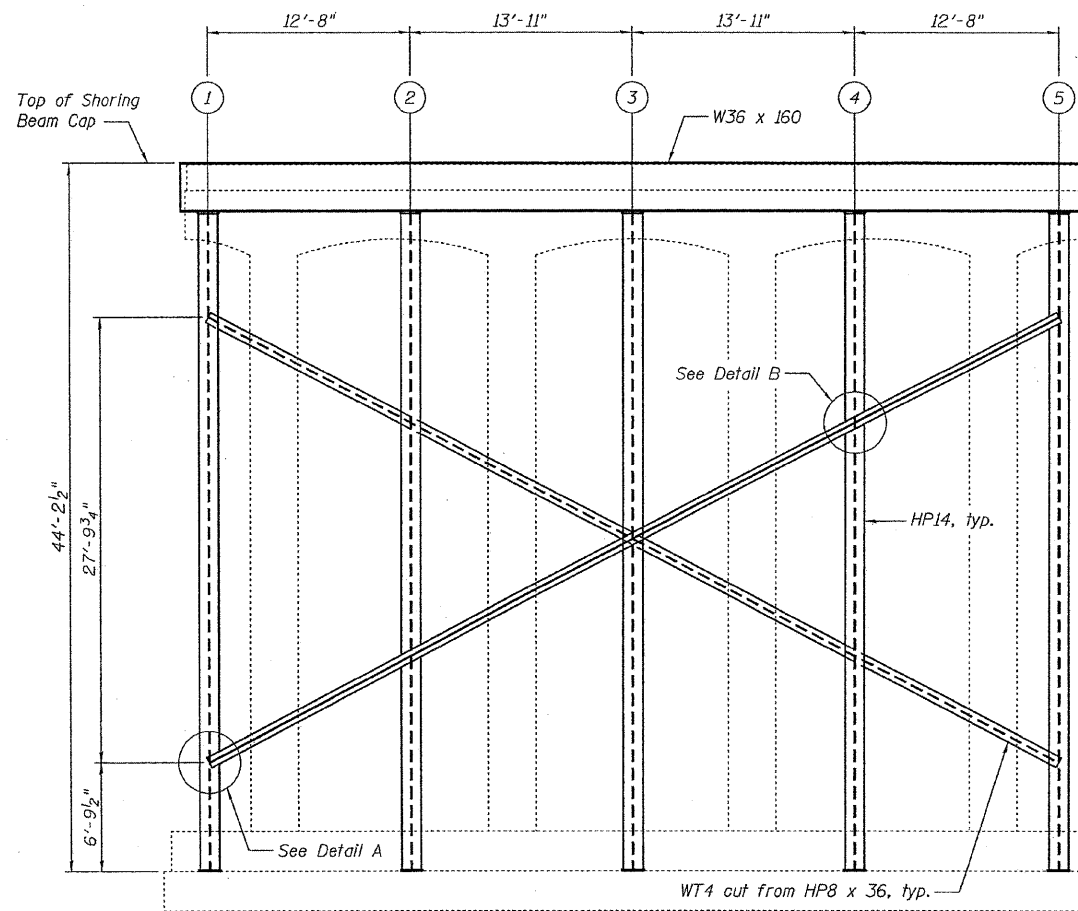


STATE OF ILLINOIS
DEPARTMENT OF TRANSPORTATION

ROUTE NO.	SECTION	COUNTY	TOTAL SHEETS	SHEET NO.
F.A. 14	64-IVBI	ST. CLAIR	259	160
FED. ROAD DIST. NO. 7	ILLINOIS	FED. AID PROJECT	CONTRACT NO. 76882	

Contract #

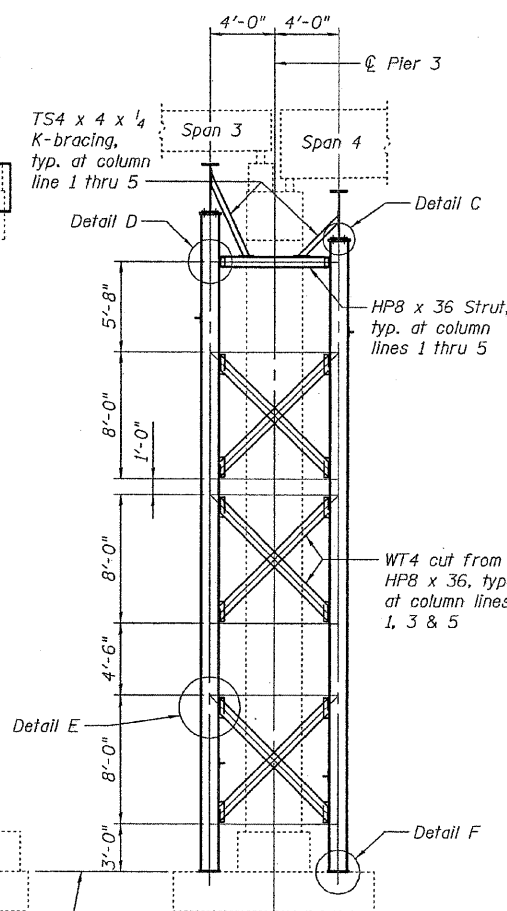
Existing superstructure not shown.



NORTH FACE OF PIER 3

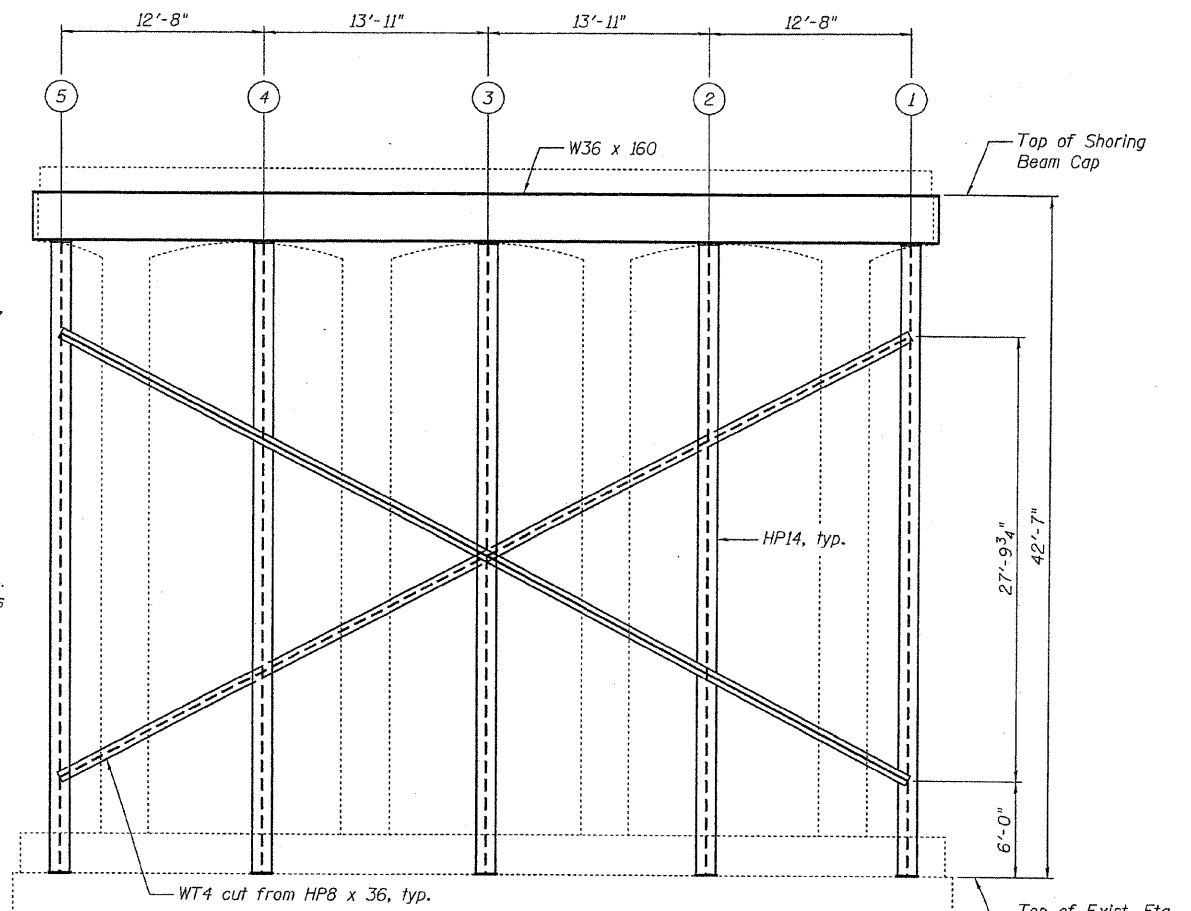
Looking Ahead Station

Ahead Station



END VIEW

Existing superstructure not shown.



SOUTH FACE OF PIER 3

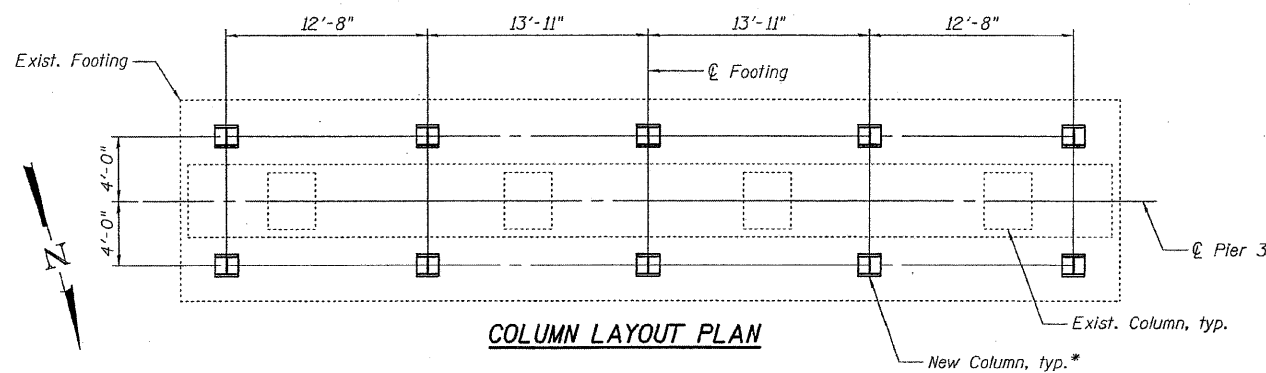
Looking Back Station

Note:
See sheet 2 of 2 for details A, B, C, D, E and F.
See sheet 2 of 2 for K-bracing details.

GENERAL NOTES

All structural metalwork for shoring towers shall conform to the requirements of ASTM A36 or ASTM A709, Grade 36 or better.
High strength bolts shall conform to the requirements of ASTM A325.
Column anchor bolts shall comply with the requirements of ASTM F1554.

PIER 3 SHORING DETAILS - 1
IL. ROUTE 3 OVER DUPONT CANAL
AND RAILROAD
F.A. ROUTE 14 - SECTION 64-IVBI



COLUMN LAYOUT PLAN

THE SHORING TOWER COLUMNS AND DETAILS ASSUME AN 8 1/2" GAP BETWEEN TOP OF SHORING CAP AND BOTTOM OF ROADWAY GIRDERS. ADJUSTMENTS MAY BE NEEDED IF BEARING DEPTH (ROLLER, SOLE PLATE AND BASE PLATE) IS DIFFERENT FROM ABOVE.

* Remove ground cover to expose the top of footing across the entire width. Power wash to provide a clean surface. Grind footing concrete at column base locations to provide a smooth and level surface.

DESIGNED	MEL
CHECKED	RLM
DRAWN	PRC
CHECKED	MEL

EXAMINED	200
PASSED	ENGINEER OF BRIDGE DESIGN
	ENGINEER OF BRIDGES AND STRUCTURES



FOR INFORMATION ONLY

FILE NAME =	USER NAME = CFC...	DESIGNED -	REVISED -
...\\160-0876882-exist-bridge-shoring-plans	01.dgn	DRAWN -	REVISED -
	PLOT SCALE = 40.000000' / IN.	CHECKED -	REVISED -
CB JOB NO 09021	PLOT DATE = 8/5/2010	DATE - / /	REVISED -

STATE OF ILLINOIS
DEPARTMENT OF TRANSPORTATION

SN 082-0030 PLANS
(SHORING TOWER PLANS)

SCALE: SHEET NO. OF SHEETS STA. TO STA.

Coombe-Bloxdorf P.C.
- CIVIL ENGINEERS -
- STRUCTURAL ENGINEERS -
- LAND SURVEYORS -
Design Firm License No. 184-002703

F.A.P. RTE.	SECTION	COUNTY	TOTAL SHEETS	SHEET NO.
312	64-IVBR	ST. CLAIR	259	160
CONTRACT NO. 76882				
ILLINOIS FED. AID PROJECT				