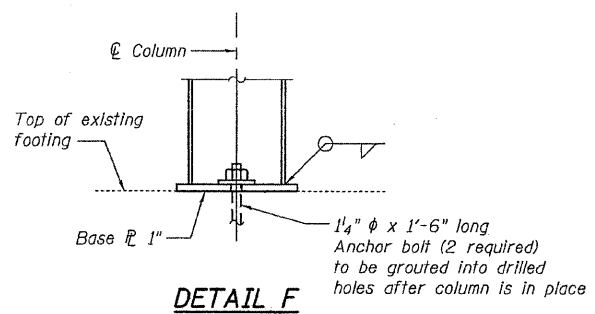
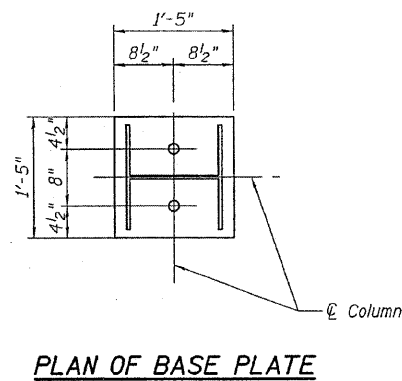
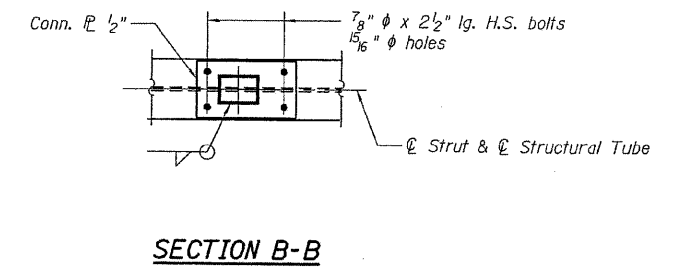
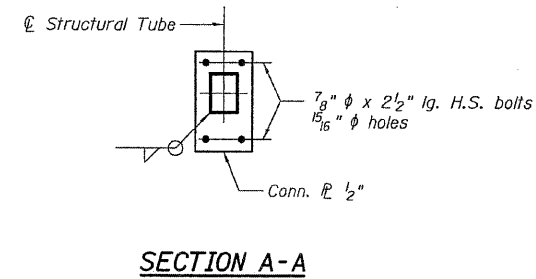
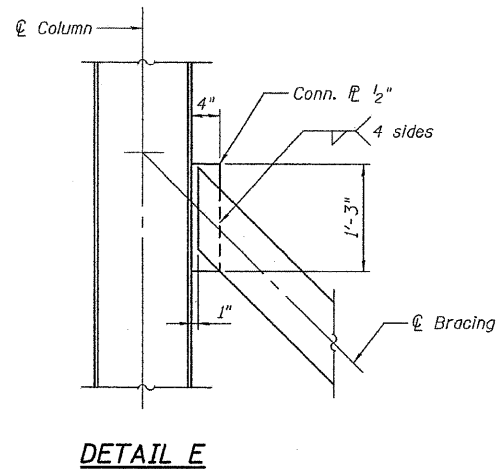
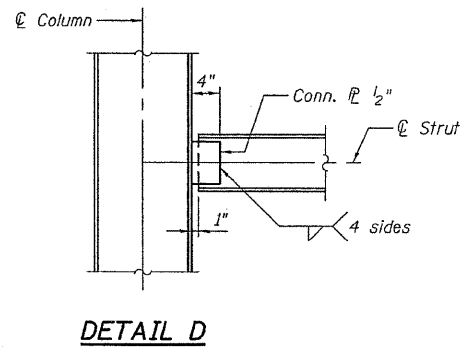
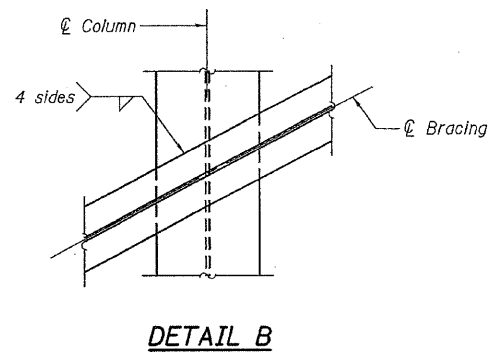
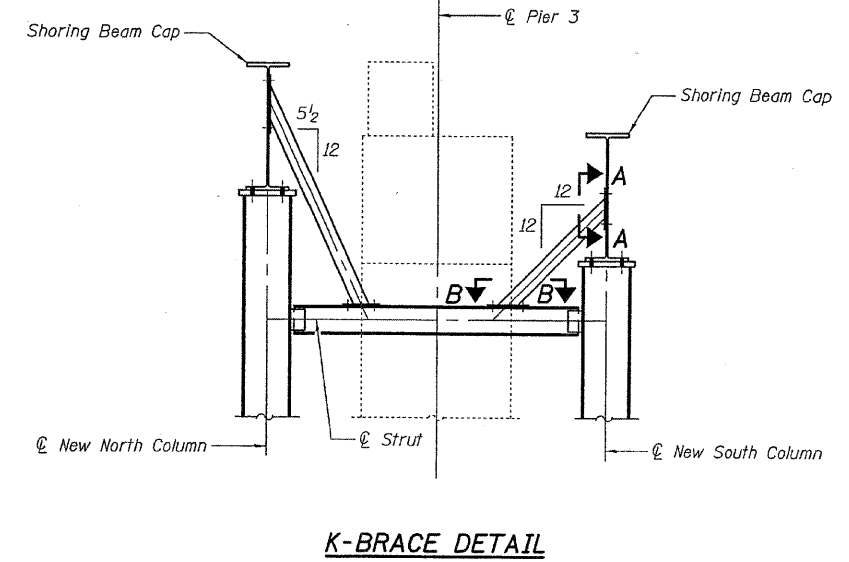
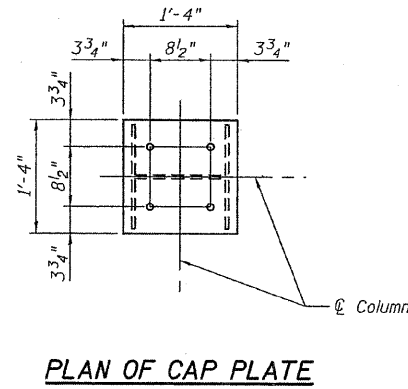
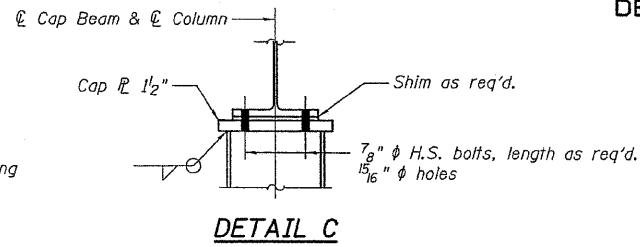
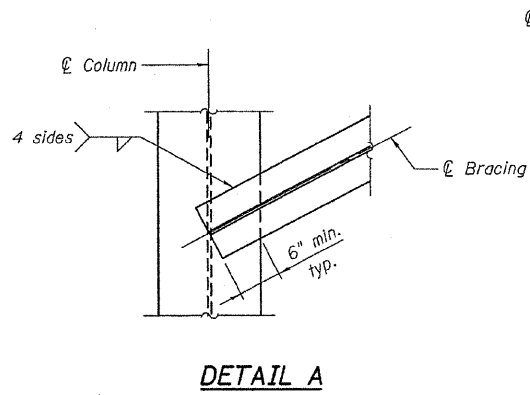


STATE OF ILLINOIS
DEPARTMENT OF TRANSPORTATION

ROUTE NO.	SECTION	COUNTY	TOTAL SHEETS	SHEET NO.
F.A. 14	64-IVBI	ST. CLAIR		2
FED. ROAD DIST. NO. 7		ILLINOIS	FED. AID PROJECT	
Contract #				



PIER 3 SHORING DETAILS - 2
IL. ROUTE 3 OVER DUPONT CANAL
AND RAILROAD
F.A. ROUTE 14 - SECTION 64-IVBI

DESIGNED	MEL	200
CHECKED	RLM	EXAMINED
DRAWN	PRC	PASSED
CHECKED	MEL	ENGINEER OF BRIDGE DESIGN
		ENGINEER OF BRIDGES AND STRUCTURES



FOR INFORMATION ONLY

S

CB Coombe-Bloxdorf P.C.
- CIVIL ENGINEERS -
- STRUCTURAL ENGINEERS -
- LAND SURVEYORS -
Design Firm License No. 184-002703

FILE NAME =	USER NAME = CFC...	DESIGNED -	REVISED -	STATE OF ILLINOIS DEPARTMENT OF TRANSPORTATION	SN 082-0030 PLANS (SHORING TOWER PLANS)	F.A.P. RTE.	SECTION	COUNTY	TOTAL SHEETS	SHEET NO.
...161-0876882-exist-bridge-shoring-plans	02.dgn	DRAWN -	REVISED -			312	64-IVBR	ST. CLAIR	259	161
	PLOT SCALE = 40,000,000 / IN.	CHECKED -	REVISED -			CONTRACT NO. 76882				
CB JOB NO 09021	PLOT DATE = 8/5/2010	DATE - / /	REVISED -			ILLINOIS FED. AID PROJECT				