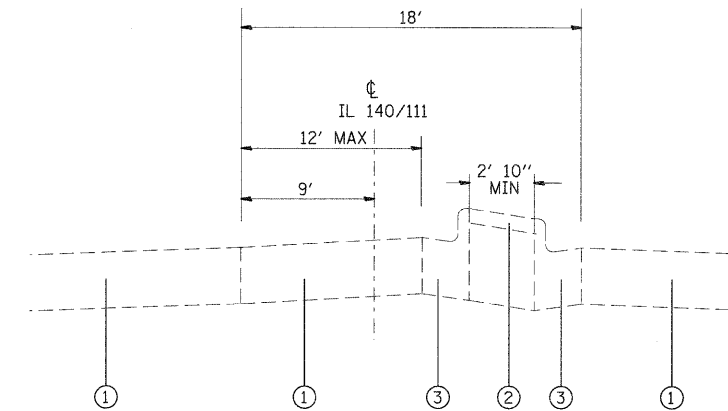


TYPICAL SECTION IL 140/111  
 STA. 468+60 TO STA. 499+80  
 WOODRIVER AVE. TO WILLIAMS STREET

\*1.5% CROSS-SLOPE IN TANGENT SECTION, VARIES IN SUPERELEVATED SECTIONS.

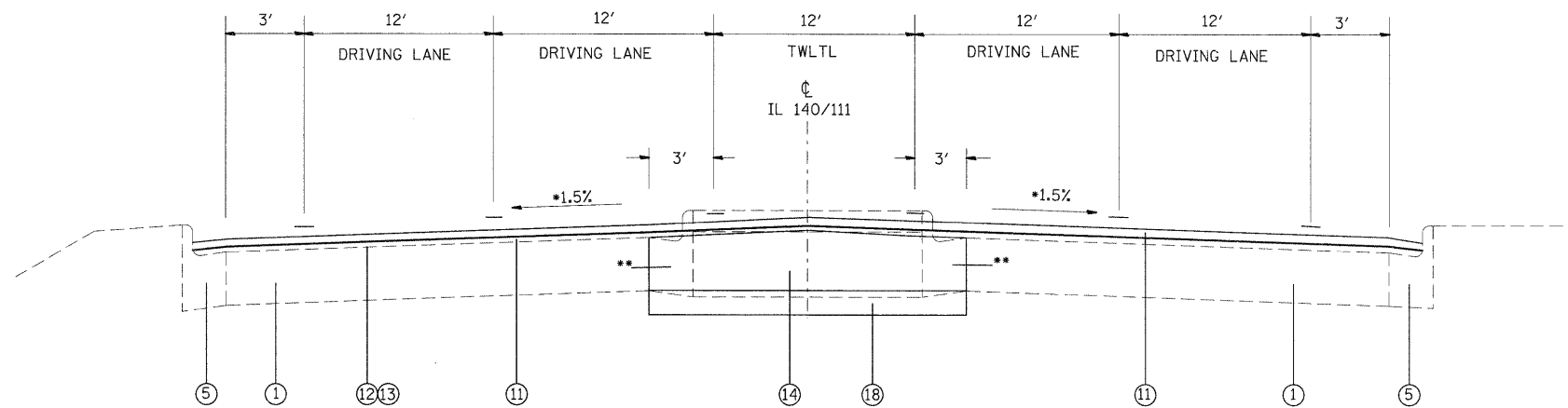


TYPICAL SECTION IL 140/111  
 FULL LEFT TURN LANE

12' LEFT TURN LANE WIDTH VARIES IN TRANSITION AREAS.  
 MEDIAN WIDTH TO INCREASE PROPORTIONALLY TO DECREASE IN WIDTH OF LEFT TURN LANE WIDTH.  
 CURB AND GUTTER FLAG SLOPE EQUALS PAVEMENT CROSS-SLOPE IN SUPERELEVATED SECTIONS.

**LEGEND**

- ① EXISTING 10" PCC PAVEMENT
- ② EXISTING PCC MEDIAN 4"
- ③ EXISTING CC & G M6.12
- ④ EXISTING HMA MEDIAN (VARIABLE DEPTH)
- ⑤ EXISTING CC & G B6.24
- ⑥ EXISTING CC & G B9.24
- ⑦ EXISTING HMA OVERLAY (2 1/2")
- ⑧ EXISTING HMA SHOULDER (10")
- ⑨ EXISTING CON. REINFORCED CONC. PAVEMENT (8")
- ⑩ PROPOSED HMA SURFACE COURSE, MIX D, N90 (1 1/2")
- ⑪ PROPOSED LEVELING BINDER (MM), N90 (1")
- ⑫ PROPOSED BITUMINOUS MATERIALS (PRIME COAT)
- ⑬ PROPOSED AGGREGATE (PRIME COAT)
- ⑭ PROPOSED PORTLAND CEMENT CONCRETE PAVEMENT (JOINTED) 10"
- ⑮ PROPOSED HMA SHOULDERS (TON)
- ⑯ PROPOSED AGG. WEDGE SHOULDER, TYPE B (TON)
- ⑰ PROPOSED HMA SURFACE REMOVAL (1 1/2")
- ⑱ PROPOSED AGG BASE COURSE, TYPE B (4")



TYPICAL SECTION IL 140/111  
 STA. 468+60 TO STA. 499+80  
 WOODRIVER AVE. TO WILLIAMS STREET

\* 1.5% CROSS-SLOPE IN TANGENT SECTION, VARIES IN SUPERELEVATED SECTIONS.  
 \*\* TIE BARS ON 24" CTS



ADDITIONAL LEVELING BINDER TO ACHIEVE CROSS-SLOPES SHALL BE UTILIZED.

FILE NAME =	USER NAME = #USER#	DESIGNED -	REVISED -	<b>STATE OF ILLINOIS DEPARTMENT OF TRANSPORTATION</b>	<b>TYPICAL SECTIONS</b>			F.A.P. RTE.	SECTION	COUNTY	TOTAL SHEETS	SHEET NO.
#FILEL#	PLOT SCALE = #SCALE#	DRAWN -	REVISED -					785	(132-2,3,4, 133-1)RS	MADISON	122	24
	PLOT DATE = #DATE#	CHECKED -	REVISED -		SCALE: _____ SHEET NO. ___ OF ___ SHEETS STA. _____ TO STA. _____			CONTRACT NO. 76B80		ILLINOIS FED. AID PROJECT		
		DATE -	REVISED -									