

F.A.P. RTE.	SECTION	COUNTY	TOTAL SHEETS	SHEET NO.
785	(132-2,3,4, 133-1)RS	MADISON	122	1
		ILLINOIS	CONTRACT NO. 76B80	

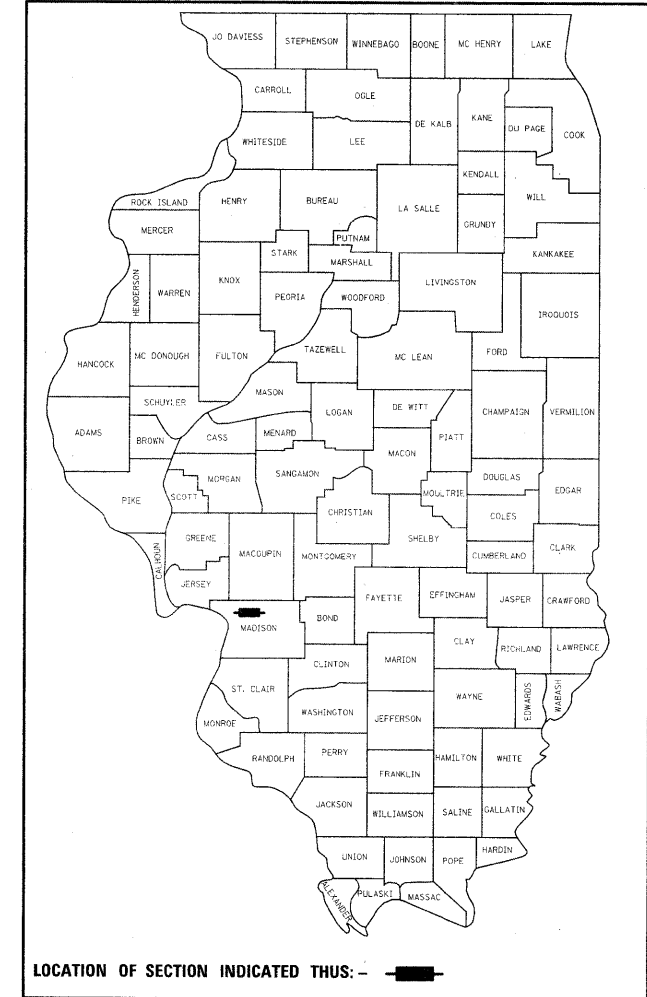
**STATE OF ILLINOIS**  
**DEPARTMENT OF TRANSPORTATION**  
**DIVISION OF HIGHWAYS**

**PROPOSED**  
**HIGHWAY PLANS**

**FAP ROUTE 785 (IL 140 / IL 111)**  
**SECTION (132-2,3,4, 133-1)RS**  
**PROJECT F-0785(032)**  
**RESURFACING AND BI-DIRECTIONAL TURN LANE**  
**MADISON COUNTY**

FOR INDEX OF SHEETS, SEE SHEET NO. 2

D-98-052-08



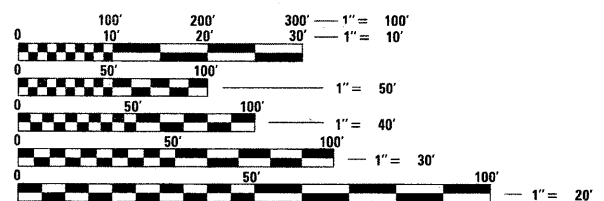
STATION EQUATION:  
215+45 BK = 453+54 AH

END PROJECT:  
STA. 499+80

LAT=38.9030  
LONG=-90.0680

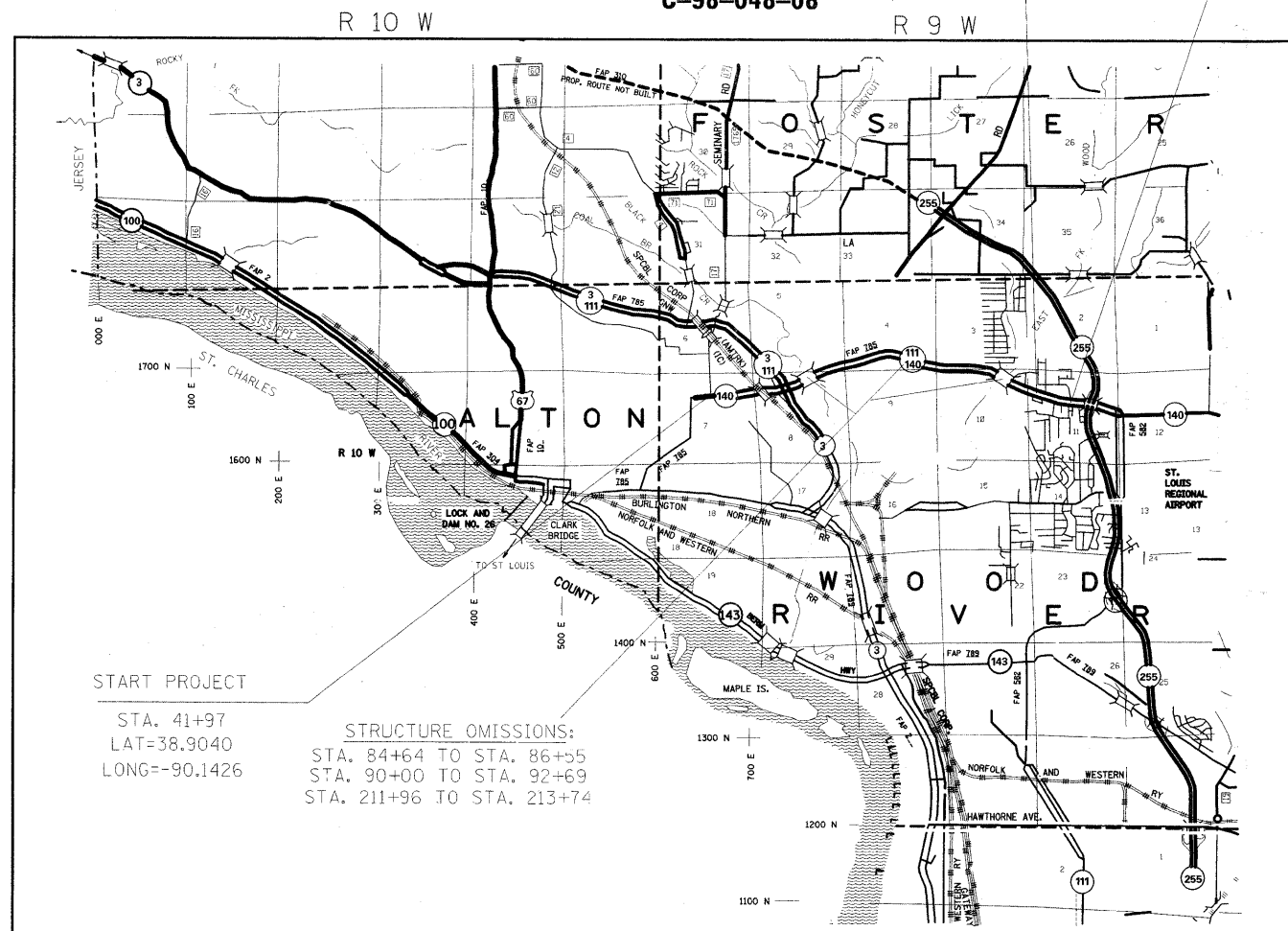
TRAFFIC DATA  
ADT = 23,000  
MU = 1.6%  
SU = 2.8%

FUNCTIONAL CLASS  
OTHER PRINCIPAL ARTERIAL



FULL SIZE PLANS HAVE BEEN PREPARED USING STANDARD ENGINEERING SCALES. REDUCED SIZED PLANS WILL NOT CONFORM TO STANDARD SCALES. IN MAKING MEASUREMENTS ON REDUCED PLANS, THE ABOVE SCALES MAY BE USED.

J.U.L.I.E.  
JOINT UTILITY LOCATION INFORMATION FOR EXCAVATION  
1-800-892-0123  
OR 811



SCALE  
1" = 1 MILE

GROSS LENGTH = 21,974 FT. = 4.16 MILE  
NET LENGTH = 21,337 FT. = 4.04 MILE

PROJECT ENGINEER: TIM PADGETT (618)346-3325  
PROJECT MANAGER: AARON KARLAS (618)346-3208

CONTRACT NO. 76B80

STATE OF ILLINOIS  
DEPARTMENT OF TRANSPORTATION  
DIVISION OF HIGHWAYS

SUBMITTED Feb 7 20 11  
W. C. Amis  
DEPUTY DIRECTOR OF HIGHWAYS, REGION ENGINEER

March 25 20 11  
Scott E. Stitt, P.E.  
acting ENGINEER OF DESIGN AND ENVIRONMENT

March 25 20 11  
Christine M. Reed  
DIRECTOR OF HIGHWAYS, CHIEF ENGINEER

**PRINTED BY THE AUTHORITY**  
**OF THE STATE OF ILLINOIS**

# INDEX OF SHEETS

- 1. COVER SHEET
- 2. INDEX OF SHEETS AND STANDARDS
- 3. GENENERAL NOTES AND COMMITMENTS
- 4.-6. SUMMARY OF QUANTITIES
- 7.-24. TYPICAL SECTIONS
- 25. LOCATION MAP
- 26.-43. SCHEDULE OF QUANTITIES
- 44.-45. ALIGNMENT TIES AND BENCHMARKS
- 46.-52. PLAN SHEETS
- 53.-59. PAVEMENT MARKING SHEETS
- 60.-81. DETAILS
- 82.-90. DETECTOR LOOPS
- 91.-122. CROSS-SECTIONS (IL 140/111)

# STANDARDS

- 000001-06
- 001001-02
- 001006
- 353001-04
- 420001-07
- 442001-04
- 442101-07
- 630001-09
- 630301-05
- 631011-07
- 631031-09
- 635006-03
- 635011-02
- 701101-02
- 701421-03
- 701422-03
- 701426-04
- 701427
- 701602-05
- 701606-07
- 701701-07
- 701901-01
- 720001-01
- 720006-02
- 720011-01
- 729001-01
- 731001-01
- 780001-02
- 781001-03
- 886001-01
- 886006-01

FILE NAME =	USER NAME = karlasal	DESIGNED -	REVISED -	<b>STATE OF ILLINOIS DEPARTMENT OF TRANSPORTATION</b>	<b>INDEX OF SHEETS AND STANDARDS</b>	F.A.P. RTE.	SECTION	COUNTY	TOTAL SHEETS	SHEET NO.	
et:\pw\work\psidot\karlasal\d0159744\d876	088-sht-plan.dgn	DRAWN -	REVISED -			785	(132-2,3,4 133-1)RS	MADISON	122	2	
	PLOT SCALE = 50,0000 ' / IN.	CHECKED -	REVISED -			<b>CONTRACT NO. 76B80</b>					
	PLOT DATE = 2/7/2011	DATE -	REVISED -			SCALE: _____	SHEET NO. ___ OF ___ SHEETS	STA. _____ TO STA. _____	FED. ROAD DIST. NO. _ ILLINOIS FED. AID PROJECT		

## GENERAL NOTES

- ① SAW CUTTING ON ALL EDGES FOR REMOVAL ITEMS SHALL BE INCLUDED IN THE COST OF THE REMOVAL ITEM AS INDICATED AND IN ACCORDANCE WITH SECTION 440 OF THE STANDARD SPECIFICATIONS.
- ② EXCEPT WHERE DESIGNATED OTHERWISE, THE LOCATIONS AND/OR DEPTHS OF UNDERGROUND UTILITIES SHOWN HAVE BEEN TAKEN FROM OFFICE RECORD INFORMATION FURNISHED BY THE UTILITY OWNERS AND MUST BE CONSIDERED APPROXIMATE.
- ③ ILLINOIS STATE LAW REQUIRES A 48-HOUR NOTICE TO BE GIVEN TO ALL UTILITIES BEFORE DIGGING. FIELD MARKING OF FACILITIES MAY BE OBTAINED BY CONTACTING J.U.L.I.E. OR FOR NON-MEMBERS, THE UTILITY COMPANY DIRECTLY. AGENCIES KNOWN TO HAVE FACILITIES WITHIN THE PROJECT AREA ARE AS FOLLOWS:

UTILITY	ABOVE GROUND	BELOW GROUND
* CITY OF ALTON		X
* AMERENCIPS	X	X
* AMERENIP	X	X
* AT&T ILLINOIS	X	X
* VILLAGE OF BETHALTO		X
*CHARTER COMMUNICATIONS, INC.	X	X
* ILLINOIS AMERICAN WATER COMPANY		X
* LEVEL 3 COMMUNICATIONS, LLC		X
* VERIZON BUSINESS		X
* 360 NETWORKS (USA) INC.		X
* SOUTHERN ILLINOIS UNIVERSITY-EDWARDSVILLE	X	X
* SPRINT/NEXTEL		X

MEMBERS OF J.U.L.I.E. (800)-892-0123 ARE INDICATED BY \*. NON J.U.L.I.E. MEMBERS MUST BE NOTIFIED INDIVIDUALLY.

- ④ THE FOLLOWING MIXTURE REQUIREMENTS ARE APPLICABLE FOR THIS PROJECT:

ROUTE	FAP 785 (IL 140/111)
SECTION	(132-2,3,4, 133-1)RS
COUNTY	MADISON
CONTRACT	76B80

DESCRIPTION	3P-IL 140/111 FROM ANNEX ST. IN ALTON TO WILLIAMS ST. IN BETHALTO.
-------------	--

ADT (Construction Yr):	23,000
MU%:	1.6
SU%:	2.8
20YR. ESAL'S:	2.92

MIXTURE USE	POLY-SURFACE	POLY-LEVEL BINDER	BASE CRS/PATCHING	POLY INCIDENTAL SURF
AC/PG	SBS 76-22	SBS 76-22	PG 64-22	SBS 76-22
RAP % (MAX)	SEE SPEC.	SEE SPEC.	SEE SPEC.	SEE SPEC.
DESIGN AIR VOIDS	4.0% @ Ndes=90	4.0% @ Ndes=90	4.0% @ Ndes=90	4.0% @ Ndes=90
MIX COMPOSITION (GRADATION MIXTURE)	IL 12.5/9.5	IL 4.75	IL 19.0	IL 12.5/9.5
FRICITION AGG	MIXTURE "D"	MIXTURE "C"	MIXTURE "B"	MIXTURE "D"

MIXTURE USE	SHOULDERS>2.25"	SHOULDERS<2.25"	PARTIAL DEPTH PATCH
AC/PG	PG 64-22	PG 64-22	PG 64-22
RAP % (MAX)	***	***	SEE SPEC.
DESIGN AIR VOIDS			4.0% @ Ndes=90
MIX COMPOSITION (GRADATION MIXTURE)	2.0% @ Ndes=30	2.0% @ Ndes=30	
FRICITION AGG	NMAS 3/4"	NMAS 1/2"	MIXTURE "C"

\*\* Top Lift Shoulders - Design this mix at 2.0% voids and add asphalt to reduce voids to 1.5%.

Plan quantities for Bituminous Concrete Surface Course Items are calculated using a unit weight of 112 lb/sq yd/in (59.8 kg/sq m/25 mm thickness).

\*\*\* See contract RAP special provision.

- ⑤ THE THICKNESS OF THE BITUMINOUS MIXTURE SHOWN ON THE PLANS IS THE NOMINAL THICKNESS. DEVIATIONS FROM THE NOMINAL THICKNESS WILL BE PERMITTED WHEN SUCH DEVIATIONS OCCUR DUE TO IRREGULARITIES IN THE EXISTING SURFACE OR BASE ON WHICH THE BITUMINOUS MIXTURE IS PLACED.
- ⑥ "ROAD CONSTRUCTION AHEAD" SIGNS SHALL BE PLACED AT THE BEGINNING AND END OF THE PROJECT PLUS THE INTERSECTING SIDE ROADS, AND WILL BE INCLUDED IN THE TRAFFIC CONTROL PAY ITEMS. ALL CONSTRUCTION SIGNS SHALL BE FLUORESCENT ORANGE. (48"X48")
- ⑦ FLAGGERS SHALL BE PRESENT DURING ALL CLOSURE HOURS, INCLUDING LUNCH HOUR, AND NO ADDITIONAL COMPENSATION SHALL BE ALLOWED.
- ⑧ EXCAVATION ADJACENT TO EDGE OF PAVEMENT SHALL BE PROTECTED WITH EXTENDED LEG BARRICADES WITH APPROPRIATE LIGHTS.
- ⑨ THE CONTRACTOR SHALL VERIFY ALL DIMENSIONS AND CONDITIONS IN THE FIELD PRIOR TO CONSTRUCTION AND ORDERING OF MATERIALS.
- ⑩ ALL AREAS DISTURBED BY THE CONTRACTOR OUTSIDE THE PROPOSED CONSTRUCTION LIMITS SHALL BE SEEDED AT THE CONTRACTOR'S EXPENSE.
- ⑪ SHORT-TERM PAVEMENT MARKING SHALL BE APPLIED TO THE MILLED, PRIMED, AND FINAL HMA SURFACE. A QUANTITY FOR TEMPORARY PAVEMENT MARKING EQUAL TO THE AMOUNT OF PERMANENT PAVEMENT MARKINGS HAS BEEN ADDED TO THE PLANS. ONLY REMOVAL FROM FINAL SURFACE PAID FOR AS WORK ZONE PAVEMENT MARKING REMOVAL.
- ⑫ THIS PROJECT INCLUDES A STATION EQUATION.
- ⑬ SUMMARY OF QUANTITIES COLUMNS:  
 COLUMN 1 = (STA. 41+97 TO STA. 202+50) 3P POLICY  
 COLUMN 2 = (STA. 202+50 TO STA. 468+75) 3P POLICY  
 COLUMN 3 = (STA. 468+75 TO STA. 499+80) 3R POLICY
- ⑭ REMOVAL OF MATERIAL UNDER MEDIAN FOR MEDIAN REPLACEMENT OR NEW PAVEMENT SHALL BE INCLUDED IN THE MEDIAN REMOVAL PAY ITEM.
- ⑮ ALL AREAS DISTURBED FOR ANY REASON SHALL BE PERMANENTLY SEEDED AS DIRECTED BY THE ENGINEER. ALL AREAS DISTURBED BY THE CONTRACTOR OUTSIDE THE PROPOSED CONSTRUCTION LIMITS SHALL BE SEEDED AT THE CONTRACTOR'S EXPENSE.
- ⑯ PLEASE NOTE SPECIAL PROVISION FOR "PORTLAND CEMENT CONCRETE PAVMENT 10" (JOINTED).

## COMMITMENTS

NONE

FILE NAME =	USER NAME = karlesal	DESIGNED -	REVISED -	<b>STATE OF ILLINOIS DEPARTMENT OF TRANSPORTATION</b>	<b>GENERAL NOTES</b>	F.A.P. RTE. 785	SECTION (132-2,3,4 133-1)RS	COUNTY MADISON	TOTAL SHEETS 122	SHEET NO. 3
oi\pwwork\pwwork\karlesal\d0169744\d876a08-sh-t-plan.dgn	PLOT SCALE = 50,0000 ' / IN.	DRAWN -	REVISED -			CONTRACT NO. 76B80		FED. ROAD DIST. NO. ILLINOIS FED. AID PROJECT		
PLOT DATE = 2/7/2011		CHECKED -	REVISED -		SCALE: _____ SHEET NO. ____ OF _____ SHEETS	STA. _____ TO STA. _____				

ILLINOIS DEPARTMENT OF TRANSPORTATION			URBAN	80% FEDERAL 20% STATE							
SUMMARY OF QUANTITIES			TOTAL	0005	0005	0004					
			QUANTITIES	3P	3P	3R					
CODE NO	ITEM	UNIT									
35101600	AGGREGATE BASE COURSE, TYPE B 4"	SQ YD	10799	3710	845	6244					
40200800	AGGREGATE SURFACE COURSE, TYPE B	TON	8.7			8.7					
40600200	BITUMINOUS MATERIALS (PRIME COAT)	TON	46.9	34.5	4.8	7.6					
40600300	AGGREGATE (PRIME COAT)	TON	224.8	165.5	23.1	36.2					
40600845	POLYMERIZED LEVELING BINDER (MACHINE METHOD), N90	TON	8742.4	6179.7	862.7	1700.0					
40600982	HOT-MIX ASPHALT SURFACE REMOVAL - BUTT JOINT	SQ YD	15637.6	12239.7	2662	735.9					
40600990	TEMPORARY RAMP	SQ YD	920.8	615	69.3	236.5					
40603545	POLYMERIZED HOT-MIX ASPHALT SURFACE COURSE, MIX "D", N90	TON	12592.1	9269.5	1294	2028.6					
40800020	BITUMINOUS MATERIALS (PRIME COAT)	TON	63.85	56.67	7.18						
40800050	INCIDENTAL HOT-MIX ASPHALT SURFACING	TON	1966.5	1415.9	273	277.6					
42000500	PORTLAND CEMENT CONCRETE PAVEMENT 10"	SQ YD	1355	510	845						
42000501	PORTLAND CEMENT CONCRETE PAVEMENT 10" (JOINTED)	SQ YD	9444	3200		6244					
42001200	PAVEMENT FABRIC	SQ YD	1355	510	845						
42001300	PROTECTIVE COAT	SQ YD	7950	7395.6	554.4						
44000100	PAVEMENT REMOVAL	SQ YD	17655	14630		3025					
44000155	HOT-MIX ASPHALT SURFACE REMOVAL, 1 1/2"	SQ YD	4262	4262							
44000500	COMBINATION CURB AND GUTTER REMOVAL	FOOT	9981	4120	550	5311					
44003100	MEDIAN REMOVAL	SQ FT	51950	16850	3800	31300					
44022025	PARTIAL DEPTH REMOVAL 2"	SQ YD	7062	5385.6	673.3	1003.1					
44200553	CLASS A PATCHES, TYPE II, 10 INCH	SQ YD	13.3	13.3							
44200557	CLASS A PATCHES, TYPE III, 10 INCH	SQ YD	72	72							
44200559	CLASS A PATCHES, TYPE IV, 10 INCH	SQ YD	666.6	666.6							
44200970	CLASS B PATCHES, TYPE II, 10 INCH	SQ YD	522.7	32	240	250.7					
44200974	CLASS B PATCHES, TYPE III, 10 INCH	SQ YD	80		48	32					
44200976	CLASS B PATCHES, TYPE IV, 10 INCH	SQ YD	53.4			53.4					
44201299	DOWEL BARS 1 1/2"	EACH	1360	80	660	620					
44213000	PATCHING REINFORCEMENT	SQ YD	738.6	738.6							
44213200	SAW CUTS	FOOT	5416	2164	1632	1620					
44213202	TIE BARS 1"	EACH	3393	178		3215					
48102100	AGGREGATE WEDGE SHOULDER, TYPE B	TON	1033	906	127						
48203100	HOT-MIX ASPHALT SHOULDERS	TON	5713.4	5070.8	642.6						
55100500	STORM SEWER REMOVAL 12"	FOOT	824			824					
60500040	REMOVING MANHOLES	EACH	16			16					



ILLINOIS DEPARTMENT OF TRANSPORTATION  
**SUMMARY OF QUANTITIES**

URBAN

80% FEDERAL  
 20% STATE

CODE NO	ITEM	UNIT	TOTAL QUANTITIES	0005 ALTON 3P	0005 MADISON COUNTY 3P	0004 MADISON COUNTY 3R				
60500105	FILLING MANHOLES	EACH	16			16				
60607400	COMBINATION CONCRETE CURB AND GUTTER, TYPE B-9.24	FOOT	2200	2200						
60610400	COMBINATION CONCRETE CURB AND GUTTER, TYPE M-6.24	FOOT	2470	1920	550					
60618300	CONCRETE MEDIAN SURFACE, 4 INCH	SQ FT	16600	12800	3800					
63000001	STEEL PLATE BEAM GUARDRAIL, TYPE A, 6 FOOT POSTS	FOOT	950	175	775					
63000015	STEEL PLATE BEAM GUARDRAIL, TYPE D	FOOT	175		175					
63100045	TRAFFIC BARRIER TERMINAL, TYPE 2	EACH	2		2					
63100085	TRAFFIC BARRIER TERMINAL, TYPE 6	EACH	4	2	2					
63100167	TRAFFIC BARRIER TERMINAL, TYPE 1 (SPECIAL) TANGENT	EACH	4	2	2					
63100169	TRAFFIC BARRIER TERMINAL, TYPE 1 (SPECIAL) FLARED	EACH	2		2					
67000400	ENGINEER'S FIELD OFFICE, TYPE A	CAL MO	10	6	2	2				
67100100	MOBILIZATION	L SUM	1	0.6	0.2	0.2				
70100310	TRAFFIC CONTROL AND PROTECTION, STANDARD 701421	L SUM	1	0.6	0.2	0.2				
70100315	TRAFFIC CONTROL AND PROTECTION, STANDARD 701422	EACH	1	0.6	0.2	0.2				
70102625	TRAFFIC CONTROL AND PROTECTION, STANDARD 701606	L SUM	1	0.6	0.2	0.2				
70102632	TRAFFIC CONTROL AND PROTECTION, STANDARD 701602	L SUM	1	0.6	0.2	0.2				
70102635	TRAFFIC CONTROL AND PROTECTION, STANDARD 701701	L SUM	1	0.6	0.2	0.2				
70103815	TRAFFIC CONTROL SURVEILLANCE	CAL DA	60	15		45				
70300100	SHORT TERM PAVEMENT MARKING	FOOT	15756	13356	720	1680				
70300210	TEMPORARY PAVEMENT MARKING - LETTERS AND SYMBOLS	SQ FT	3645	3083.4	62.4	499.2				
70300220	TEMPORARY PAVEMENT MARKING - LINE 4"	FOOT	114769	88012	11257	15500				
70300260	TEMPORARY PAVEMENT MARKING - LINE 12"	FOOT	1756	1756						
70300280	TEMPORARY PAVEMENT MARKING - LINE 24"	FOOT	879.4	693	62.4	124				
70301000	WORK ZONE PAVEMENT MARKING REMOVAL	SQ FT	1313	1113	60	140				
* 72000100	SIGN PANEL - TYPE 1	SQ FT	36			36				
* 73000100	WOOD SIGN SUPPORT	FOOT	60			60				
* 78000100	THERMOPLASTIC PAVEMENT MARKING - LETTERS AND SYMBOLS	SQ FT	1485	923.4	62.4	499.2				
* 78000200	THERMOPLASTIC PAVEMENT MARKING - LINE 4"	FOOT	114697	88012	11185	15500				

\* SPECIALTY ITEM

FILE NAME =  
 USER NAME = karlesal  
 DESIGNED -  
 DRAWN -  
 CHECKED -  
 DATE -  
 PLOT SCALE = 50.0000' / IN.  
 PLOT DATE = 2/7/2011

DESIGNED -  
 DRAWN -  
 CHECKED -  
 DATE -  
 REVISED -  
 REVISED -  
 REVISED -  
 REVISED -

STATE OF ILLINOIS  
 DEPARTMENT OF TRANSPORTATION

SUMMARY OF QUANTITIES

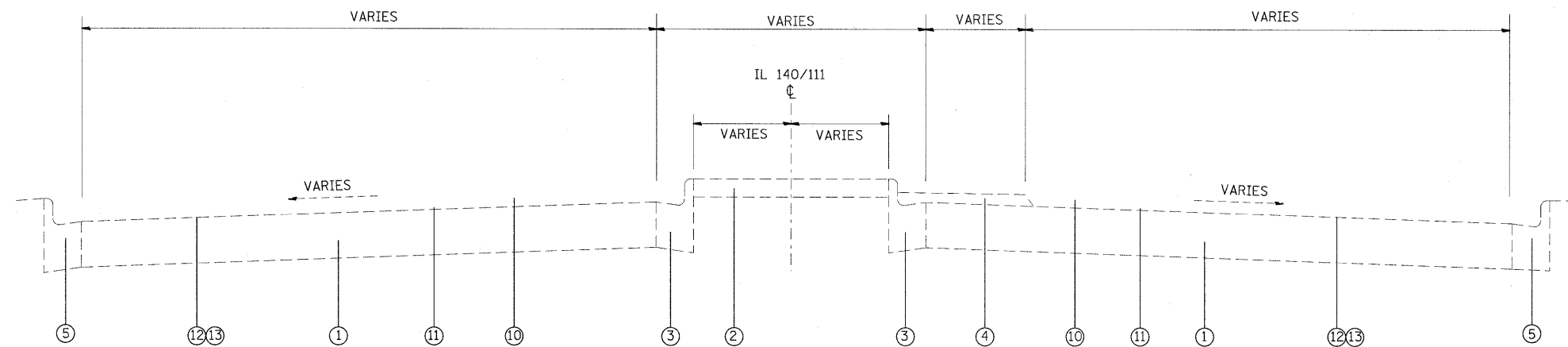
F.A.P. RTE.	SECTION	COUNTY	TOTAL SHEETS	SHEET NO.
785	132-2,3,4 133-1RS	MADISON	122	5
CONTRACT NO. 76B80				
ILLINOIS FED. AID PROJECT				

ILLINOIS DEPARTMENT OF TRANSPORTATION  
**SUMMARY OF QUANTITIES**

URBAN ← 80% FEDERAL 20% STATE →

CODE NO	ITEM	UNIT	TOTAL QUANTITIES	0005 BRIEF 3P	0005 3P	0004 3R				
* 78000600	THERMOPLASTIC PAVEMENT MARKING - LINE 12"	FOOT	1756	1756						
* 78000650	THERMOPLASTIC PAVEMENT MARKING - LINE 24"	FOOT	817	693		124				
* 78001110	PAINT PAVEMENT MARKING - LINE 4"	FOOT	1740	1580	80	80				
* 78003100	PREFORMED PLASTIC PAVEMENT MARKING, TYPE B - LETTERS AND SYMBOLS	SQ FT	2160	2160						
* 78003110	PREFORMED PLASTIC PAVEMENT MARKING, TYPE B - LINE 4"	FOOT	72	72						
* 78003180	PREFORMED PLASTIC PAVEMENT MARKING, TYPE B - LINE 24"	FOOT	62.4	62.4						
* 78100100	RAISED REFLECTIVE PAVEMENT MARKER	EACH	967	663	70	234				
* 78200300	PRISMATIC CURB REFLECTOR	EACH	480	418	62					
* 78200410	GUARDRAIL MARKERS, TYPE A	EACH	48	8	40					
* 78201000	TERMINAL MARKER - DIRECT APPLIED	EACH	8	2	6					
78300200	RAISED REFLECTIVE PAVEMENT MARKER REMOVAL	EACH	778	622	70	86				
80300100	LOCATING UNDERGROUND CABLE	FOOT	6263	5493	770					
88600600	DETECTOR LOOP REPLACEMENT	FOOT	345	295	50					
X4421000	PARTIAL DEPTH PATCHING	TON	790.9	603.2	75.4	112.3				
* X7830068	GROOVING FOR RECESSED PAVEMENT MARKING, LETTERS, NUMBERS AND SYMBOLS	SQ FT	2160	2160						
* X7830070	GROOVING FOR RECESSED PAVEMENT MARKING 5"	FOOT	72	72						
* X7830090	GROOVING FOR RECESSED PAVEMENT MARKING 25"	FOOT	62.4	62.4						
* Z0030030	IMPACT ATTENUATORS (FULLY REDIRECTIVE, NARROW), TEST LEVEL 3	EACH	2		2					
◎ Z0076600	TRAINNEES	HOUE	1,500	1,500						

\*SPECIALTY ITEM  
 ◎ Q042 TRAINNEES



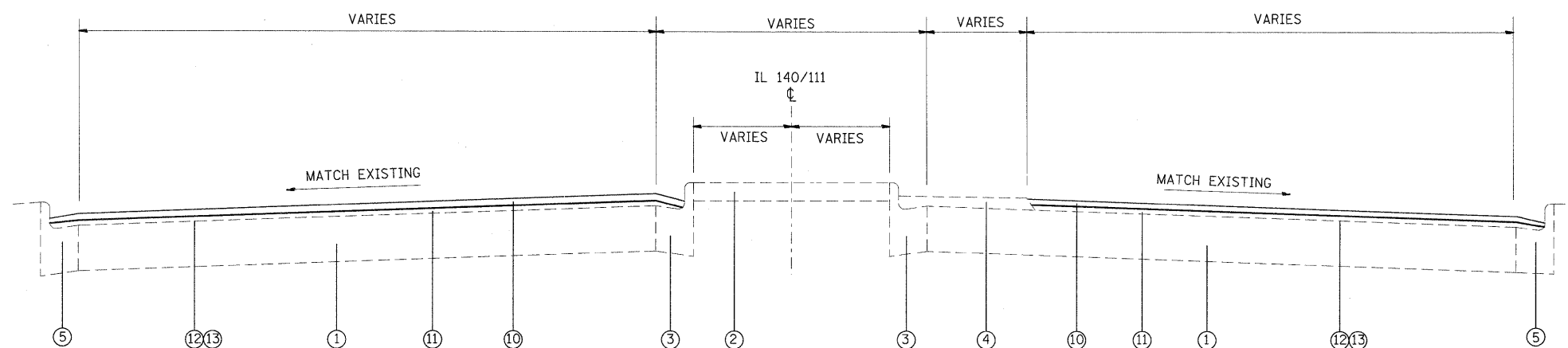
EXISTING TYPICAL SECTION IL 140/111

STA. 41+97 TO 46+54  
ANNEX ST. TO PARK AVE.

THIS SECTION REPRESENTS THE TRANSITION FROM 2 LANE TO MULTI-LANE WITH VARIABLE WIDTH MEDIANS.  
EXISTING HMA FROM ANNEX ST. TO EVERGREEN ST. WILL BE PROPOSED HMA BUTT-JOINT.

**LEGEND**

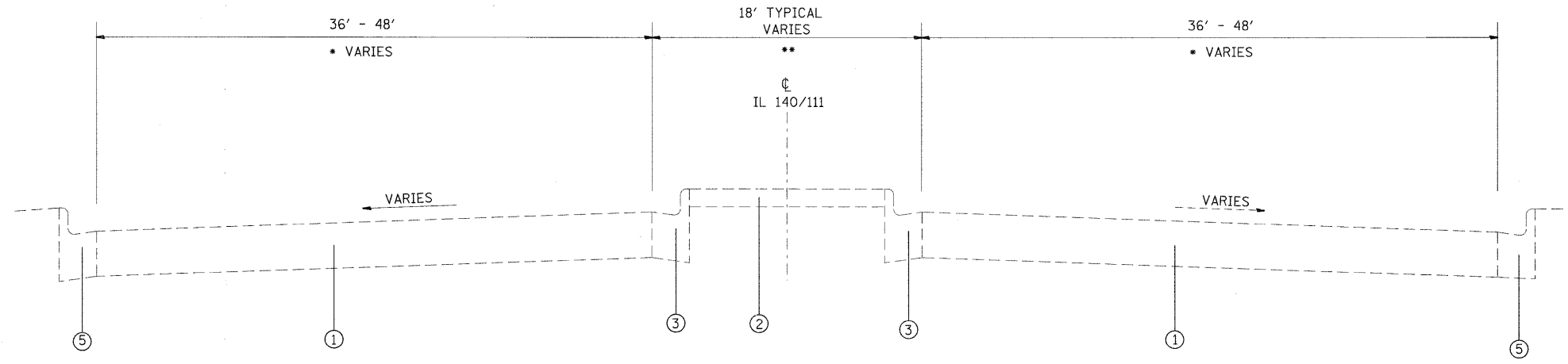
- ① EXISTING 10" PCC PAVEMENT
- ② EXISTING PCC MEDIAN 4"
- ③ EXISTING CC & G M6.12
- ④ EXISTING HMA MEDIAN (VARIABLE DEPTH)
- ⑤ EXISTING CC & G B6.24
- ⑥ EXISTING CC & G B9.24
- ⑦ EXISTING HMA OVERLAY (2 1/2")
- ⑧ EXISTING HMA SHOULDER (10")
- ⑨ EXISTING CON. REINFORCED CONC. PAVEMENT (8")
- ⑩ PROPOSED HMA SURFACE COURSE, MIX D, N90 (1 1/2")
- ⑪ PROPOSED LEVELING BINDER (MM), N90 (1")
- ⑫ PROPOSED BITUMINOUS MATERIALS (PRIME COAT)
- ⑬ PROPOSED AGGREGATE (PRIME COAT)
- ⑭ PROPOSED PORTLAND CEMENT CONCRETE BASE COURSE 10"
- ⑮ PROPOSED HMA SHOULDERS (TON)
- ⑯ PROPOSED AGG. WEDGE SHOULDER, TYPE B (TON)
- ⑰ PROPOSED HMA SURFACE REMOVAL (1 1/2")



PROPOSED TYPICAL SECTION IL 140/111

STA. 41+97 TO 46+54  
ANNEX ST. TO PARK AVE.

FILE NAME =	USER NAME = #USER#	DESIGNED -	REVISED -	<b>STATE OF ILLINOIS DEPARTMENT OF TRANSPORTATION</b>	<b>TYPICAL SECTIONS</b>		F.A.P. RTE.	SECTION	COUNTY	TOTAL SHEETS	SHEET NO.
#FILEL#	PLOT SCALE = #SCALE#	DRAWN -	REVISED -				785	(132-2,3,4, 133-1)RS	MADISON	122	7
	PLOT DATE = #DATE#	CHECKED -	REVISED -		CONTRACT NO. 76B80						
		DATE -	REVISED -		FED. ROAD DIST. NO. ILLINOIS FED. AID PROJECT						

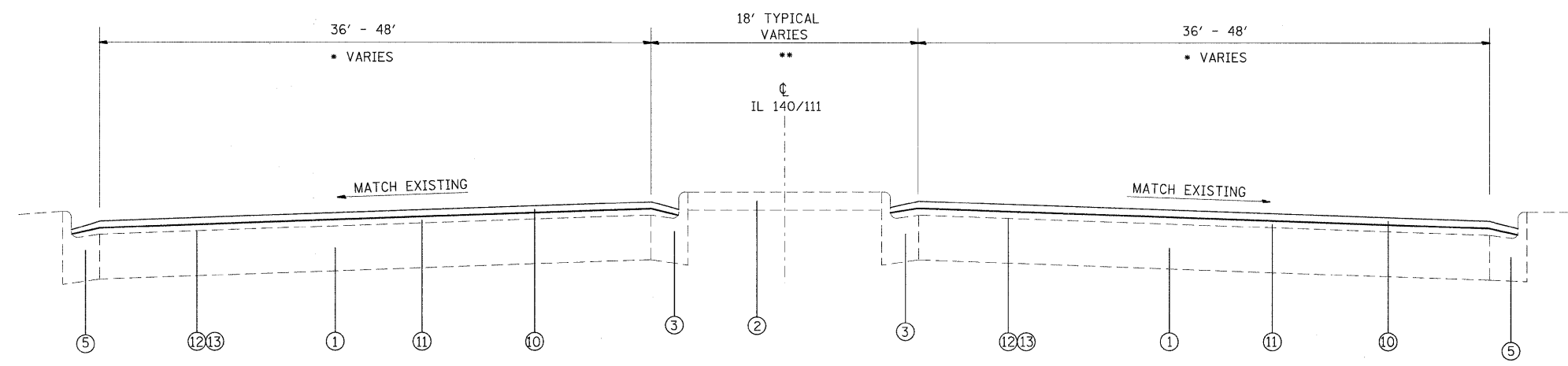


EXISTING TYPICAL SECTION IL 140/111  
 STA. 46+54 TO 62+97  
 PARK AVE. TO JUST EAST OF RAILROAD STRUCTURE

\* THIRD LANE VARIES AS THRU LANE, STRIPPED MEDIAN, AND SHOULDER.  
 \*\* LEFT-TURN LANES PRESENT AT VARIOUS LOCATIONS.

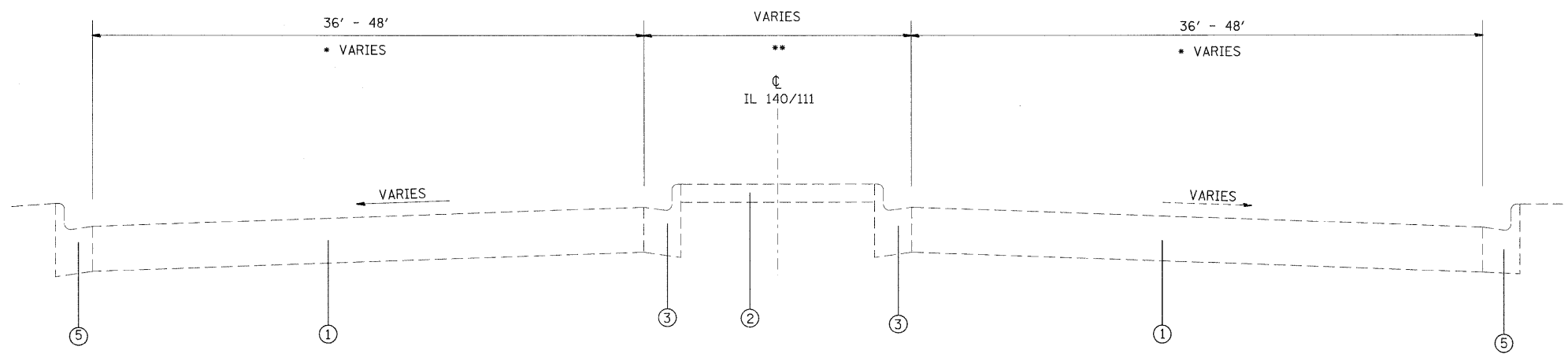
**LEGEND**

- ① EXISTING 10" PCC PAVEMENT
- ② EXISTING PCC MEDIAN 4"
- ③ EXISTING CC & G M6.12
- ④ EXISTING HMA MEDIAN (VARIABLE DEPTH)
- ⑤ EXISTING CC & G B6.24
- ⑥ EXISTING CC & G B9.24
- ⑦ EXISTING HMA OVERLAY (2 1/2")
- ⑧ EXISTING HMA SHOULDER (10")
- ⑨ EXISTING CON. REINFORCED CONC. PAVEMENT (8")
- ⑩ PROPOSED HMA SURFACE COURSE, MIX D, N90 (1 1/2")
- ⑪ PROPOSED LEVELING BINDER (MM), N90 (1")
- ⑫ PROPOSED BITUMINOUS MATERIALS (PRIME COAT)
- ⑬ PROPOSED AGGREGATE (PRIME COAT)
- ⑭ PROPOSED PORTLAND CEMENT CONCRETE BASE COURSE 10"
- ⑮ PROPOSED HMA SHOULDERS (TON)
- ⑯ PROPOSED AGG. WEDGE SHOULDER, TYPE B (TON)
- ⑰ PROPOSED HMA SURFACE REMOVAL (1 1/2")



PROPOSED TYPICAL SECTION IL 140/111  
 STA. 46+54 TO 62+97  
 PARK AVE. TO JUST EAST OF RAILROAD STRUCTURE

FILE NAME =	USER NAME = #USER#	DESIGNED -	REVISED -	<b>STATE OF ILLINOIS DEPARTMENT OF TRANSPORTATION</b>	<b>TYPICAL SECTIONS</b>			F.A.P. RTE.	SECTION	COUNTY	TOTAL SHEETS	SHEET NO.
#FILEL#	PLOT SCALE = #SCALE#	DRAWN -	REVISED -					785	(132-2,3,4, 133-1)RS	MADISON	122	8
	PLOT DATE = #DATE#	CHECKED -	REVISED -		SCALE: _____ SHEET NO. ___ OF ___ SHEETS STA. _____ TO STA. _____			CONTRACT NO. 76B80				
		DATE -	REVISED -		FED. ROAD DIST. NO. - ILLINOIS FED. AID PROJECT							



EXISTING TYPICAL SECTION IL 140/111

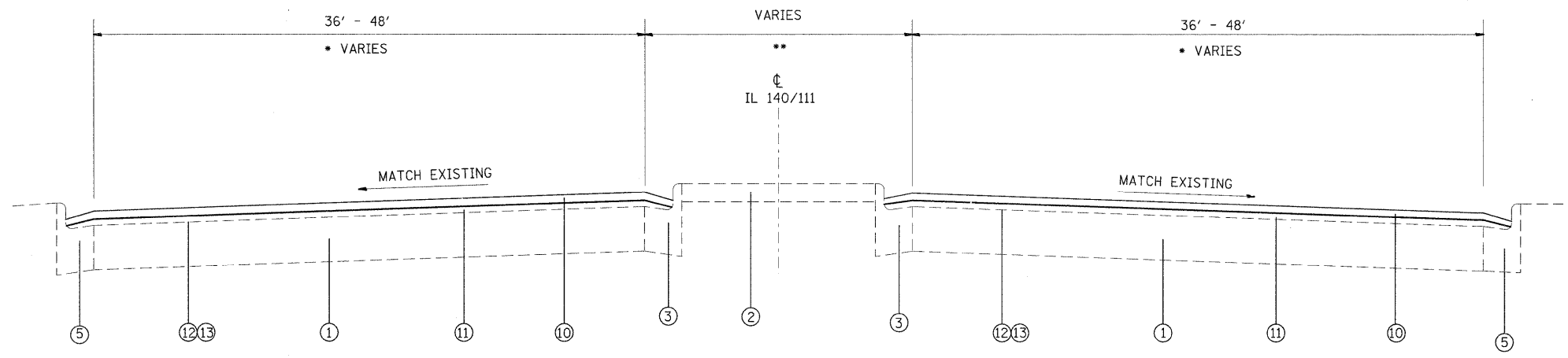
STA. 62+97 TO STA. 74+52

JUST EAST OF RAILROAD STRUCTURE TO START OF RIGHT-TURN LANE FOR SB HOMER ADAMS PARKWAY RAMP

\* LEFT-TURN LANE IN BOTH DIRECTIONS WITH TYPICAL SECTION

**LEGEND**

- ① EXISTING 10" PCC PAVEMENT
- ② EXISTING PCC MEDIAN 4"
- ③ EXISTING CC & G M6.12
- ④ EXISTING HMA MEDIAN (VARIABLE DEPTH)
- ⑤ EXISTING CC & G B6.24
- ⑥ EXISTING CC & G B9.24
- ⑦ EXISTING HMA OVERLAY (2 1/2")
- ⑧ EXISTING HMA SHOULDER (10")
- ⑨ EXISTING CON. REINFORCED CONC. PAVEMENT (8")
- ⑩ PROPOSED HMA SURFACE COURSE, MIX D, N90 (1 1/2")
- ⑪ PROPOSED LEVELING BINDER (MM), N90 (1")
- ⑫ PROPOSED BITUMINOUS MATERIALS (PRIME COAT)
- ⑬ PROPOSED AGGREGATE (PRIME COAT)
- ⑭ PROPOSED PORTLAND CEMENT CONCRETE BASE COURSE 10"
- ⑮ PROPOSED HMA SHOULDERS (TON)
- ⑯ PROPOSED AGG. WEDGE SHOULDER, TYPE B (TON)
- ⑰ PROPOSED HMA SURFACE REMOVAL (1 1/2")

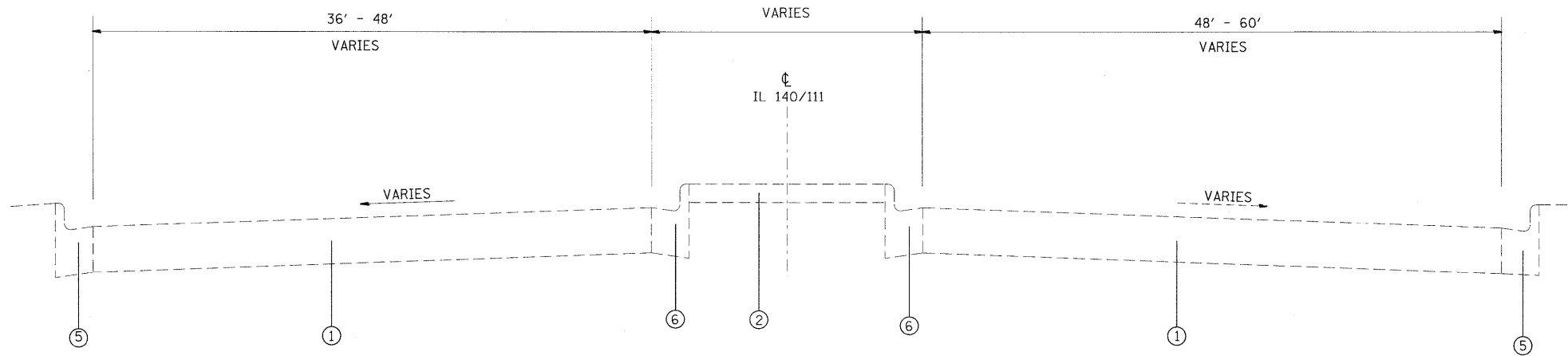


PROPOSED TYPICAL SECTION IL 140/111

STA. 62+97 TO STA. 74+52

JUST EAST OF RAILROAD STRUCTURE TO START OF RIGHT-TURN LANE FOR SB HOMER ADAMS PARKWAY RAMP

FILE NAME =	USER NAME = #USER#	DESIGNED -	REVISED -	<b>STATE OF ILLINOIS DEPARTMENT OF TRANSPORTATION</b>	<b>TYPICAL SECTIONS</b>			F.A.P. RTE.	SECTION	COUNTY	TOTAL SHEETS	SHEET NO.
#FILEL#		DRAWN -	REVISED -					785	(132-2,3,4, 133-1)RS	MADISON	122	9
PLOT SCALE = #SCALE#		CHECKED -	REVISED -		SCALE: _____ SHEET NO. ___ OF ___ SHEETS STA. _____ TO STA. _____			CONTRACT NO. 76B80				
PLOT DATE = #DATE#		DATE -	REVISED -		FED. ROAD DIST. NO. - ILLINOIS FED. AID PROJECT							

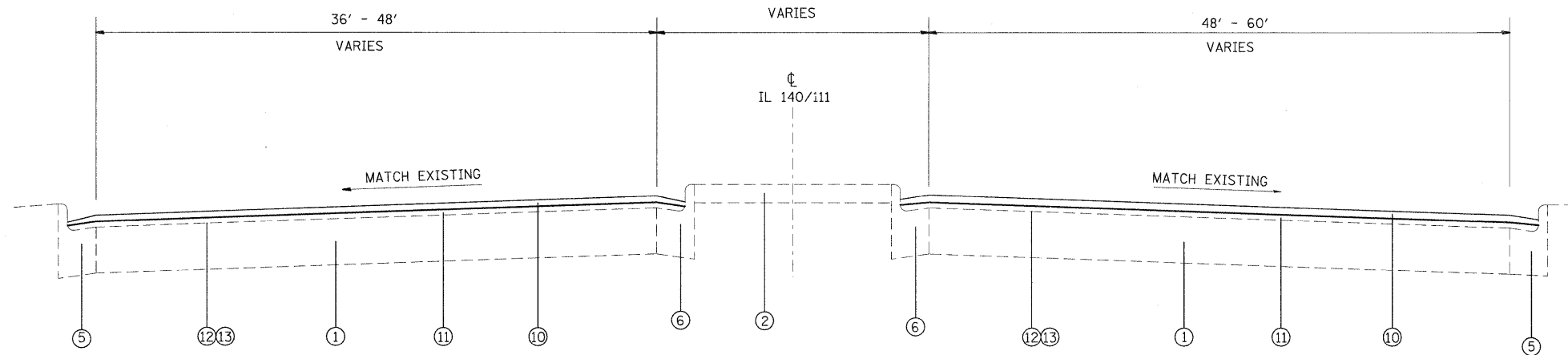


EXISTING TYPICAL SECTION IL 140/111

STA. 74+52 TO STA. 75+87  
RIGHT-TURN LANE FOR SB HOMER ADAMS PARKWAY RAMP

**LEGEND**

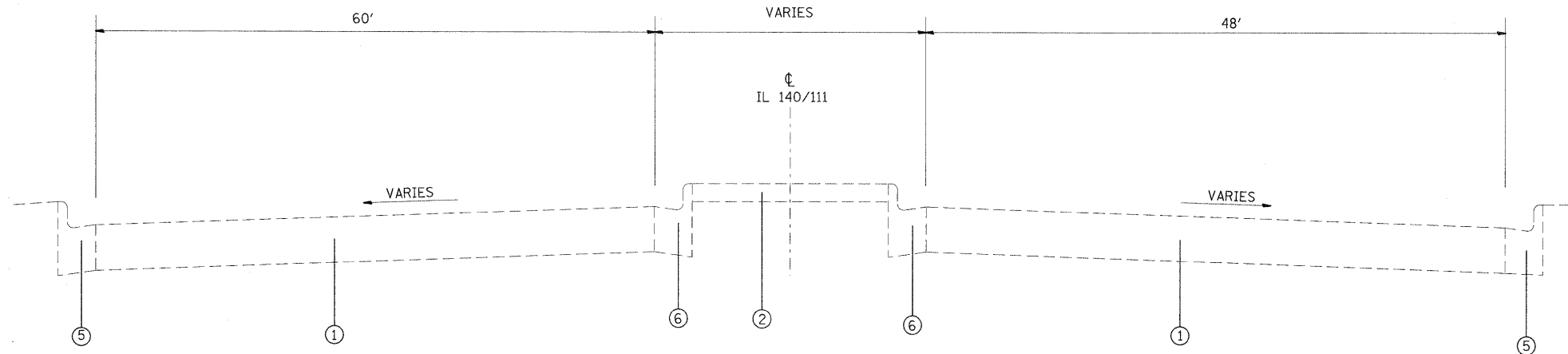
- ① EXISTING 10" PCC PAVEMENT
- ② EXISTING PCC MEDIAN 4"
- ③ EXISTING CC & G M6.12
- ④ EXISTING HMA MEDIAN (VARIABLE DEPTH)
- ⑤ EXISTING CC & G B6.24
- ⑥ EXISTING CC & G B9.24
- ⑦ EXISTING HMA OVERLAY (2 1/2")
- ⑧ EXISTING HMA SHOULDER (10")
- ⑨ EXISTING CON. REINFORCED CONC. PAVEMENT (8")
- ⑩ PROPOSED HMA SURFACE COURSE, MIX D, N90 (1 1/2")
- ⑪ PROPOSED LEVELING BINDER (MM), N90 (1")
- ⑫ PROPOSED BITUMINOUS MATERIALS (PRIME COAT)
- ⑬ PROPOSED AGGREGATE (PRIME COAT)
- ⑭ PROPOSED PORTLAND CEMENT CONCRETE BASE COURSE 10"
- ⑮ PROPOSED HMA SHOULDERS (TON)
- ⑯ PROPOSED AGG. WEDGE SHOULDER, TYPE B (TON)
- ⑰ PROPOSED HMA SURFACE REMOVAL (1 1/2")



PROPOSED TYPICAL SECTION IL 140/111

STA. 74+52 TO STA. 75+87  
RIGHT-TURN LANE FOR SB HOMER ADAMS PARKWAY RAMP

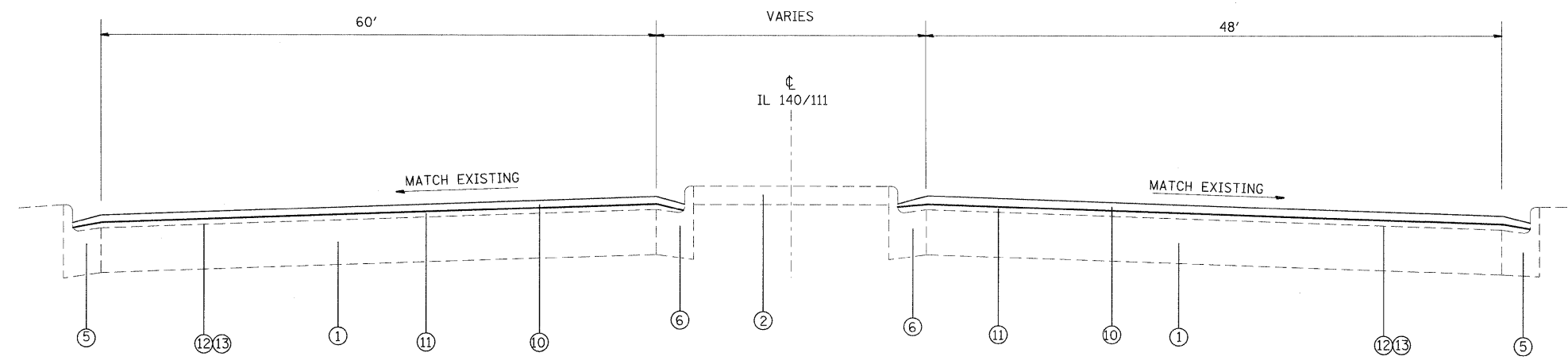
FILE NAME =	USER NAME = #USER#	DESIGNED -	REVISED -	<b>STATE OF ILLINOIS DEPARTMENT OF TRANSPORTATION</b>	<b>TYPICAL SECTIONS</b>		F.A.P. RTE.	SECTION	COUNTY	TOTAL SHEETS	SHEET NO.
#FILEL#		DRAWN -	REVISED -				785	(132-2,3,4, 133-1)RS	MADISON	122	10
PLOT SCALE = #SCALE#		CHECKED -	REVISED -		SCALE: _____ SHEET NO. ___ OF ___ SHEETS STA. _____ TO STA. _____		CONTRACT NO. 76B80				
PLOT DATE = #DATE#		DATE -	REVISED -		FED. ROAD DIST. NO. _____ ILLINOIS FED. AID PROJECT						



EXISTING TYPICAL SECTION IL 140/111  
 STA. 75+87 TO STA. 80+00  
 CHANNELIZATION UNDER HOMER ADAMS PARKWAY STRUCTURE

**LEGEND**

- ① EXISTING 10" PCC PAVEMENT
- ② EXISTING PCC MEDAIN 4"
- ③ EXISTING CC & G M6.12
- ④ EXISTING HMA MEDIAN (VARIABLE DEPTH)
- ⑤ EXISTING CC & G B6.24
- ⑥ EXISTING CC & G B9.24
- ⑦ EXISTING HMA OVERLAY (2 1/2")
- ⑧ EXISTING HMA SHOULDER (10")
- ⑨ EXISTING CON. REINFORCED CONC. PAVEMENT (8")
- ⑩ PROPOSED HMA SURFACE COURSE, MIX D, N90 (1 1/2")
- ⑪ PROPOSED LEVELING BINDER (MM), N90 (1")
- ⑫ PROPOSED BITUMINOUS MATERIALS (PRIME COAT)
- ⑬ PROPOSED AGGREGATE (PRIME COAT)
- ⑭ PROPOSED PORTLAND CEMENT CONCRETE BASE COURSE 10"
- ⑮ PROPOSED HMA SHOULDERS (TON)
- ⑯ PROPOSED AGG. WEDGE SHOULDER, TYPE B (TON)
- ⑰ PROPOSED HMA SURFACE REMOVAL (1 1/2")

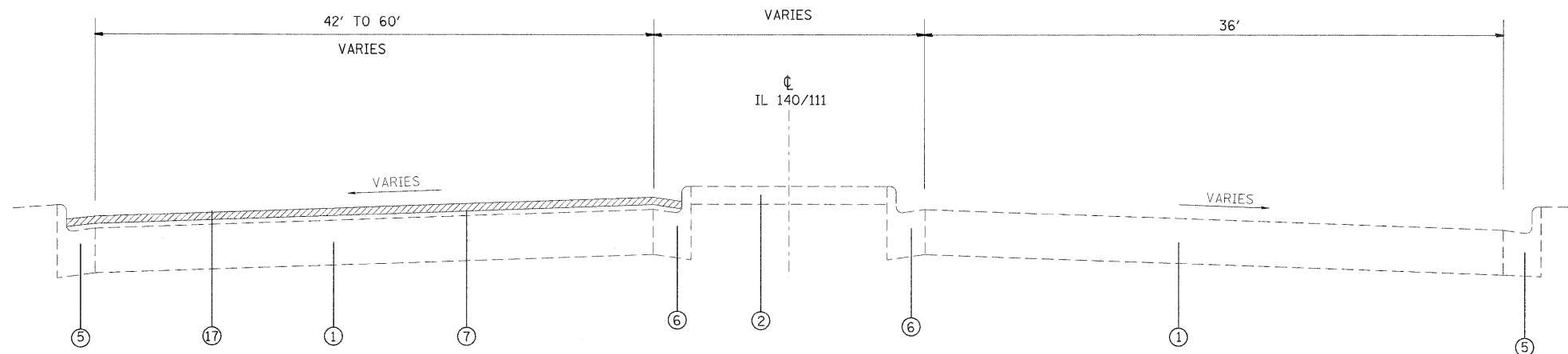


PROPOSED TYPICAL SECTION IL 140/111  
 STA. 75+87 TO STA. 80+00  
 CHANNELIZATION UNDER HOMER ADAMS PARKWAY STRUCTURE

FILE NAME = \$FILEL\$	USER NAME = \$USER\$	DESIGNED - ___	REVISED - ___	<b>STATE OF ILLINOIS DEPARTMENT OF TRANSPORTATION</b>	<b>TYPICAL SECTIONS</b>			F.A.P. RTE.	SECTION	COUNTY	TOTAL SHEETS	SHEET NO.
	PLOT SCALE = \$SCALE\$	DRAWN - ___	REVISED - ___		SCALE: _____	SHEET NO. ___ OF ___ SHEETS	STA. _____ TO STA. _____	785	(132-2,3,4, 133-1)RS	MADISON	122	11
	PLOT DATE = \$DATE\$	CHECKED - ___	REVISED - ___					<b>CONTRACT NO. 76B80</b>				
		DATE - _____	REVISED - ___					FED. ROAD DIST. NO. - ILLINOIS FED. AID PROJECT				



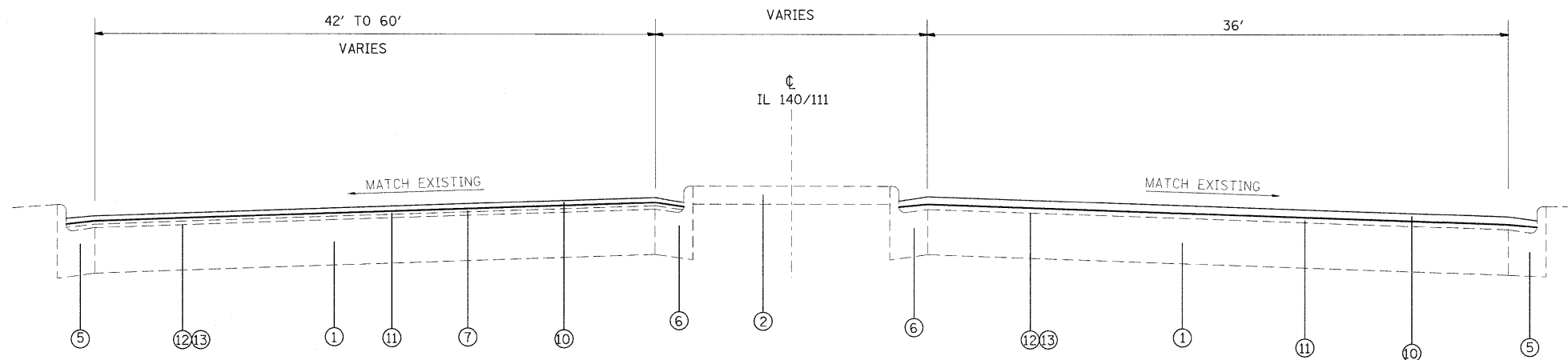




EXISTING TYPICAL SECTION IL 140/111  
STA. 81+97 TO STA. 85+61

**LEGEND**

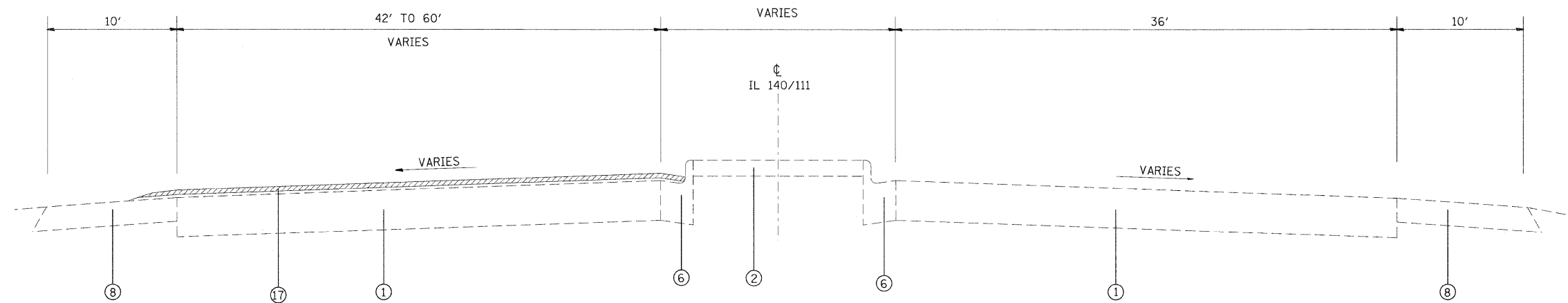
- ① EXISTING 10" PCC PAVEMENT
- ② EXISTING PCC MEDAIN 4"
- ③ EXISTING CC & G M6.12
- ④ EXISTING HMA MEDIAN (VARIABLE DEPTH)
- ⑤ EXISTING CC & G B6.24
- ⑥ EXISTING CC & G B9.24
- ⑦ EXISTING HMA OVERLAY (2 1/2")
- ⑧ EXISTING HMA SHOULDER (10")
- ⑨ EXISTING CON. REINFORCED CONC. PAVEMENT (8")
- ⑩ PROPOSED HMA SURFACE COURSE, MIX D, N90 (1 1/2")
- ⑪ PROPOSED LEVELING BINDER (MM), N90 (1")
- ⑫ PROPOSED BITUMINOUS MATERIALS (PRIME COAT)
- ⑬ PROPOSED AGGREGATE (PRIME COAT)
- ⑭ PROPOSED PORTLAND CEMENT CONCRETE BASE COURSE 10"
- ⑮ PROPOSED HMA SHOULDERS (TON)
- ⑯ PROPOSED AGG. WEDGE SHOULDER, TYPE B (TON)
- ⑰ PROPOSED HMA SURFACE REMOVAL (1 1/2")



PROPOSED TYPICAL SECTION IL 140/111  
STA. 81+97 TO STA. 85+61

STRUCTURE OMISSION STA. 84+64 TO STA. 86+55

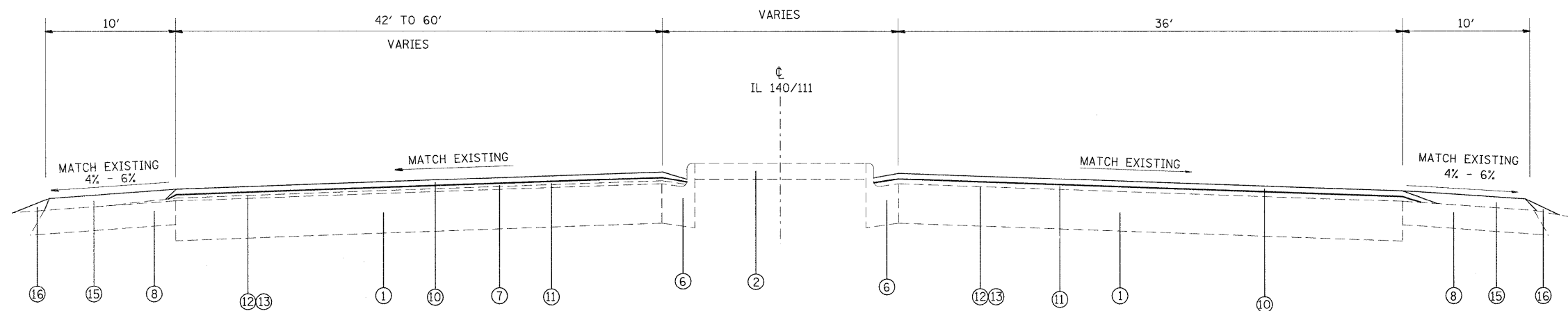
FILE NAME =	USER NAME = #USER#	DESIGNED -	REVISED -	<b>STATE OF ILLINOIS DEPARTMENT OF TRANSPORTATION</b>	<b>TYPICAL SECTIONS</b>			F.A.P. RTE.	SECTION	COUNTY	TOTAL SHEETS	SHEET NO.
#FILE#	PLOT SCALE = #SCALE#	DRAWN -	REVISED -					785	(132-2,3,4 133-1)RS	MADISON	122	13
	PLOT DATE = #DATE#	CHECKED -	REVISED -		SCALE: _____ SHEET NO. ___ OF ___ SHEETS STA. _____ TO STA. _____			CONTRACT NO. 76B80				
		DATE -	REVISED -					ILLINOIS FED. AID PROJECT				



EXISTING TYPICAL SECTION IL 140/111  
STA. 85+61 TO STA. 92+47

**LEGEND**

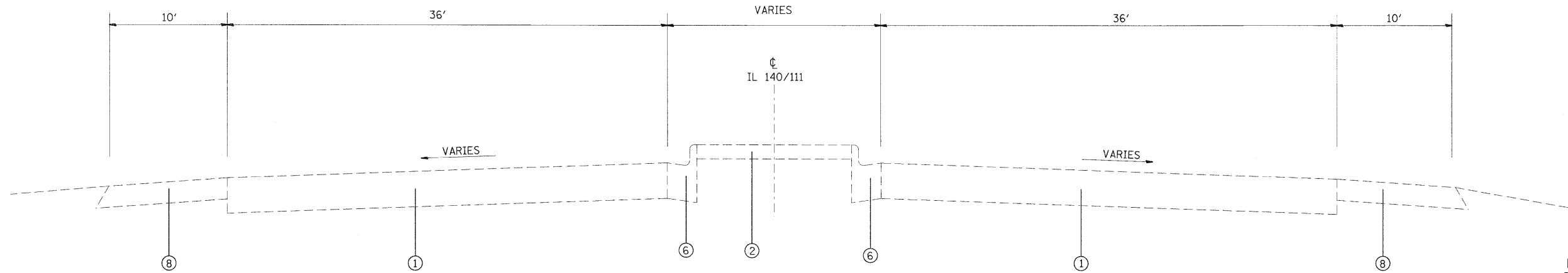
- ① EXISTING 10" PCC PAVEMENT
- ② EXISTING PCC MEDIAN 4"
- ③ EXISTING CC & G M6.12
- ④ EXISTING HMA MEDIAN (VARIABLE DEPTH)
- ⑤ EXISTING CC & G B6.24
- ⑥ EXISTING CC & G B9.24
- ⑦ EXISTING HMA OVERLAY (2 1/2")
- ⑧ EXISTING HMA SHOULDER (10")
- ⑨ EXISTING CON. REINFORCED CONC. PAVEMENT (8")
- ⑩ PROPOSED HMA SURFACE COURSE, MIX D, N90 (1 1/2")
- ⑪ PROPOSED LEVELING BINDER (MM), N90 (1")
- ⑫ PROPOSED BITUMINOUS MATERIALS (PRIME COAT)
- ⑬ PROPOSED AGGREGATE (PRIME COAT)
- ⑭ PROPOSED PORTLAND CEMENT CONCRETE BASE COURSE 10"
- ⑮ PROPOSED HMA SHOULDERS (TON)
- ⑯ PROPOSED AGG. WEDGE SHOULDER, TYPE B (TON)
- ⑰ PROPOSED HMA SURFACE REMOVAL (1 1/2")



PROPOSED TYPICAL SECTION IL 140/111  
STA. 85+61 TO STA. 92+47

STRUCTURE OMISSION: STA. 84+64 TO STA. 86+55  
STRUCTURE OMISSION: STA. 90+00 TO STA. 92+69

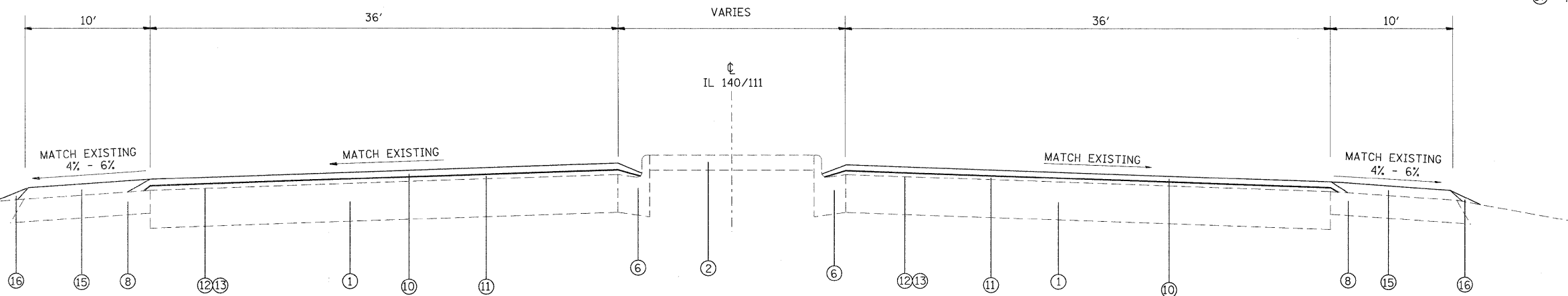
FILE NAME =	USER NAME = #USER#	DESIGNED -	REVISED -	<b>STATE OF ILLINOIS DEPARTMENT OF TRANSPORTATION</b>	<b>TYPICAL SECTIONS</b>			F.A.P. RTE.	SECTION	COUNTY	TOTAL SHEETS	SHEET NO.
#FILE#	PLOT SCALE = #SCALE#	DRAWN -	REVISED -					785	(132-2,3,4, 133-1)RS	MADISON	122	14
	PLOT DATE = #DATE#	CHECKED -	REVISED -		SCALE: _____ SHEET NO. ___ OF ___ SHEETS STA. _____ TO STA. _____			CONTRACT NO. 76B80				
		DATE -	REVISED -		FED. ROAD DIST. NO. - ILLINOIS FED. AID PROJECT							



EXISTING TYPICAL SECTION IL 140/111  
STA. 92+47 TO STA. 95+12

**LEGEND**

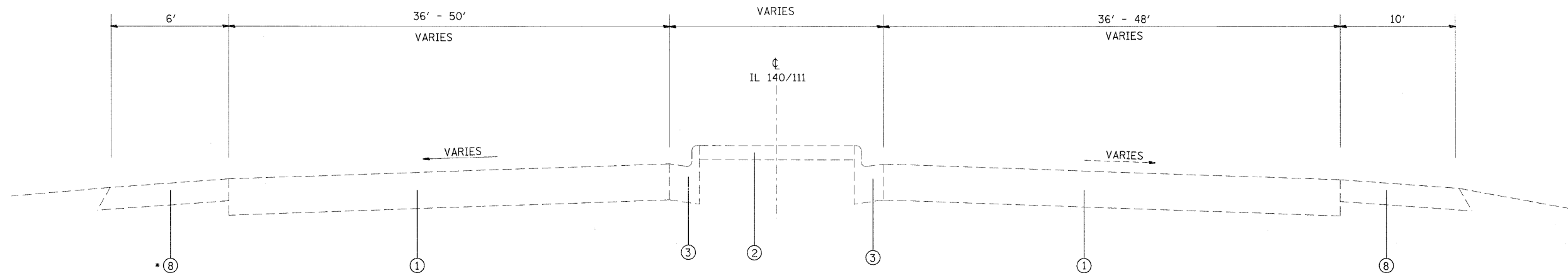
- ① EXISTING 10" PCC PAVEMENT
- ② EXISTING PCC MEDIAN 4"
- ③ EXISTING CC & G M6.12
- ④ EXISTING HMA MEDIAN (VARIABLE DEPTH)
- ⑤ EXISTING CC & G B6.24
- ⑥ EXISTING CC & G B9.24
- ⑦ EXISTING HMA OVERLAY (2 1/2")
- ⑧ EXISTING HMA SHOULDER (10")
- ⑨ EXISTING CON. REINFORCED CONC. PAVEMENT (8")
- ⑩ PROPOSED HMA SURFACE COURSE, MIX D, N90 (1 1/2")
- ⑪ PROPOSED LEVELING BINDER (MM), N90 (1")
- ⑫ PROPOSED BITUMINOUS MATERIALS (PRIME COAT)
- ⑬ PROPOSED AGGREGATE (PRIME COAT)
- ⑭ PROPOSED PORTLAND CEMENT CONCRETE BASE COURSE 10"
- ⑮ PROPOSED HMA SHOULDERS (TON)
- ⑯ PROPOSED AGG. WEDGE SHOULDER, TYPE B (TON)
- ⑰ PROPOSED HMA SURFACE REMOVAL (1 1/2")



PROPOSED TYPICAL SECTION IL 140/111  
STA. 92+47 TO STA. 95+12

STRUCTURE OMISSION: STA. 90+00 TO STA. 92+69

FILE NAME =	USER NAME = #USER#	DESIGNED - ---	REVISED - ---	<b>STATE OF ILLINOIS DEPARTMENT OF TRANSPORTATION</b>	<b>TYPICAL SECTIONS</b>			F.A.P. RTE.	SECTION	COUNTY	TOTAL SHEETS	SHEET NO.
%FILEL#		DRAWN - ---	REVISED - ---		785	(132-2,3,4, 133-1)RS	MADISON	122	15			
	PLOT SCALE = #SCALE#	CHECKED - ---	REVISED - ---		SCALE: _____ SHEET NO. ___ OF ___ SHEETS STA. _____ TO STA. _____			CONTRACT NO. 76B80				
	PLOT DATE = #DATE#	DATE - -----	REVISED - ---		FED. ROAD DIST. NO. _____ ILLINOIS FED. AID PROJECT							

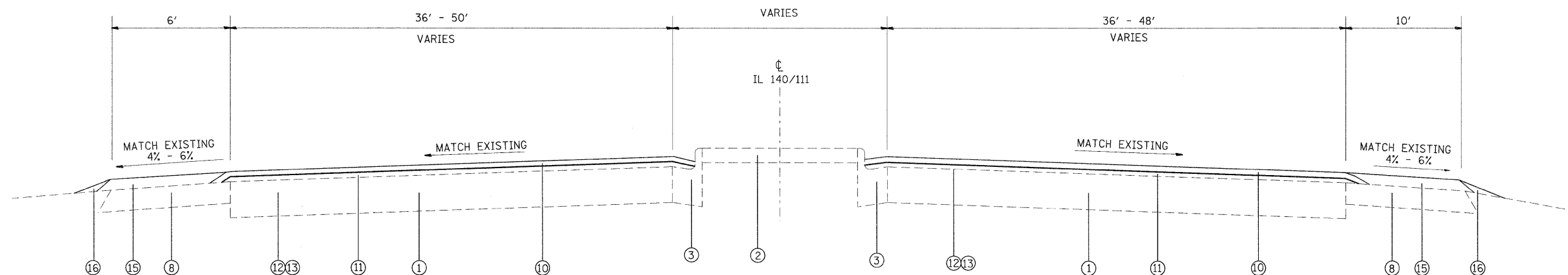


• 8" THICK SHOULDER FROM SAFETY PROJECT

EXISTING TYPICAL SECTION IL 140/111  
STA. 95+12 TO STA. 100+37

**LEGEND**

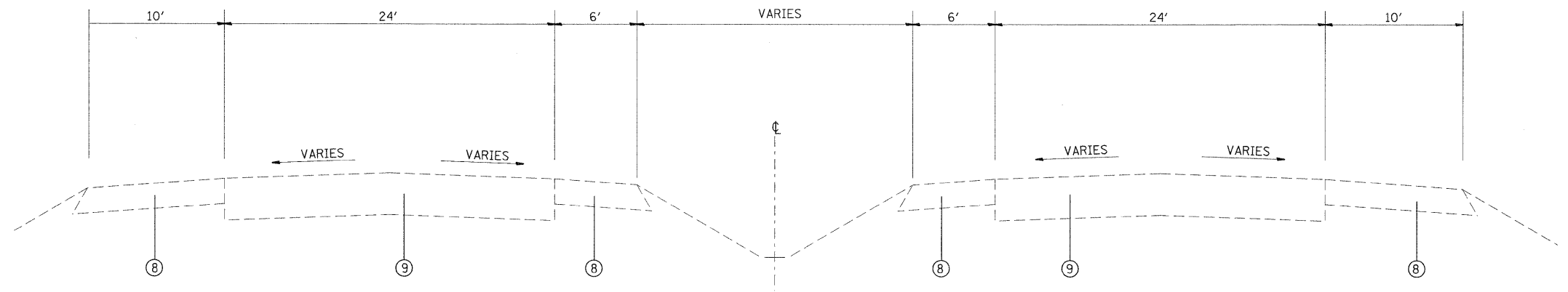
- ① EXISTING 10" PCC PAVEMENT
- ② EXISTING PCC MEDAIN 4"
- ③ EXISTING CC & G M6.12
- ④ EXISTING HMA MEDIAN (VARIABLE DEPTH)
- ⑤ EXISTING CC & G B6.24
- ⑥ EXISTING CC & G B9.24
- ⑦ EXISTING HMA OVERLAY (2 1/2")
- ⑧ EXISTING HMA SHOULDER (10")
- ⑨ EXISTING CON. REINFORCED CONC. PAVEMENT (8")
- ⑩ PROPOSED HMA SURFACE COURSE, MIX D, N90 (1 1/2")
- ⑪ PROPOSED LEVELING BINDER (MM), N90 (1")
- ⑫ PROPOSED BITUMINOUS MATERIALS (PRIME COAT)
- ⑬ PROPOSED AGGREGATE (PRIME COAT)
- ⑭ PROPOSED PORTLAND CEMENT CONCRETE BASE COURSE 10"
- ⑮ PROPOSED HMA SHOULDERS (TON)
- ⑯ PROPOSED AGG. WEDGE SHOULDER, TYPE B (TON)
- ⑰ PROPOSED HMA SURFACE REMOVAL (1 1/2")



PROPOSED TYPICAL SECTION IL 140/111  
STA. 95+12 TO STA. 100+37

FILE NAME =	USER NAME = #USER#	DESIGNED -	REVISED -	<b>STATE OF ILLINOIS DEPARTMENT OF TRANSPORTATION</b>	<b>TYPICAL SECTIONS</b>		F.A.P. RTE.	SECTION	COUNTY	TOTAL SHEETS	SHEET NO.
#FILE#		DRAWN -	REVISED -				785	(132-2,3,4, 133-1)RS	MADISON	122	16
PLOT SCALE = #SCALE#		CHECKED -	REVISED -		SCALE: _____ SHEET NO. ___ OF ___ SHEETS STA. _____ TO STA. _____		CONTRACT NO. 76B80				
PLOT DATE = #DATE#		DATE -	REVISED -		FED. ROAD DIST. NO. - ILLINOIS FED. AID PROJECT						

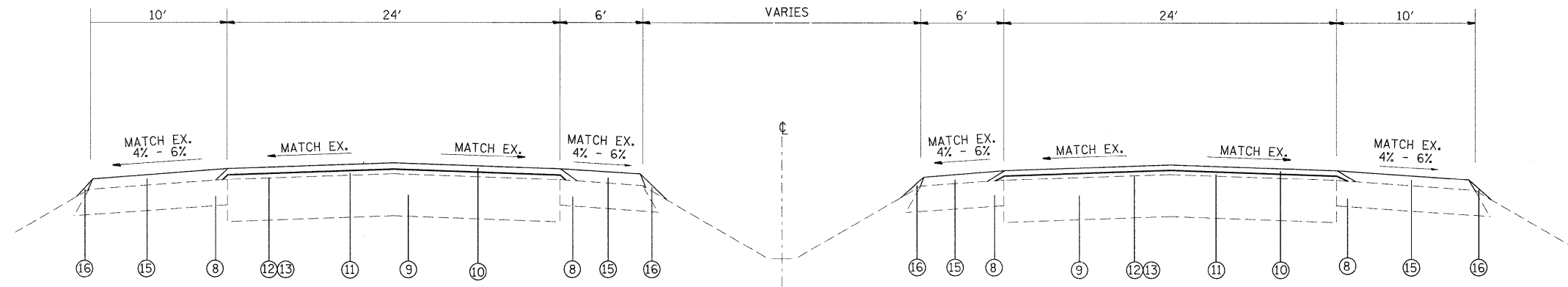




EXISTING TYPICAL SECTION IL 140/111  
 STA. 114+28 TO STA. 141+94  
 STA. 151+41 TO STA. 167+97  
 STA. 182+07 TO STA. 195+29  
 STA. 206+87 TO STA. 212+49

**LEGEND**

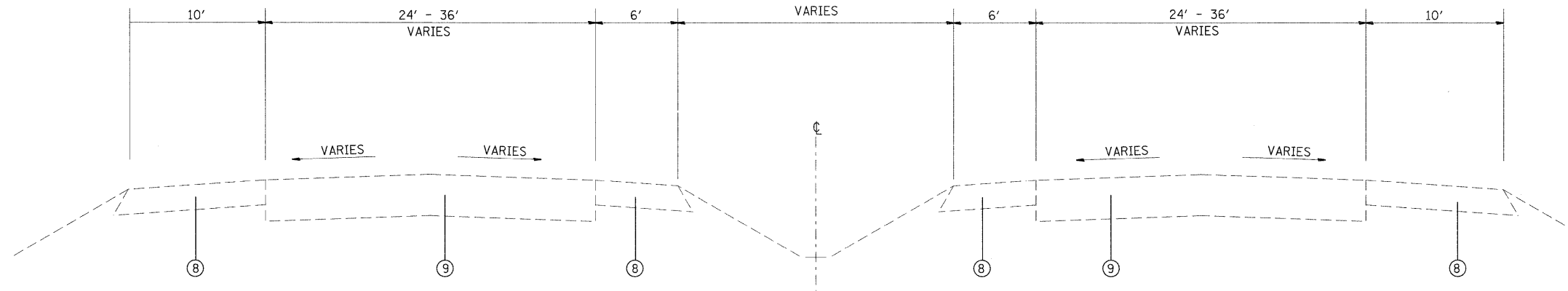
- ① EXISTING 10" PCC PAVEMENT
- ② EXISTING PCC MEDIAN 4"
- ③ EXISTING CC & G M6.12
- ④ EXISTING HMA MEDIAN (VARIABLE DEPTH)
- ⑤ EXISTING CC & G B6.24
- ⑥ EXISTING CC & G B9.24
- ⑦ EXISTING HMA OVERLAY (2 1/2")
- ⑧ EXISTING HMA SHOULDER (10")
- ⑨ EXISTING CON. REINFORCED CONC. PAVEMENT (8")
- ⑩ PROPOSED HMA SURFACE COURSE, MIX D, N90 (1 1/2")
- ⑪ PROPOSED LEVELING BINDER (MM), N90 (1")
- ⑫ PROPOSED BITUMINOUS MATERIALS (PRIME COAT)
- ⑬ PROPOSED AGGREGATE (PRIME COAT)
- ⑭ PROPOSED PORTLAND CEMENT CONCRETE BASE COURSE 10"
- ⑮ PROPOSED HMA SHOULDERS (TON)
- ⑯ PROPOSED AGG. WEDGE SHOULDER, TYPE B (TON)
- ⑰ PROPOSED HMA SURFACE REMOVAL (1 1/2")



PROPOSED TYPICAL SECTION IL 140/111  
 STA. 114+28 TO STA. 141+94  
 STA. 151+41 TO STA. 167+97  
 STA. 182+07 TO STA. 195+29  
 STA. 206+87 TO STA. 212+49

STRUCTURE OMISSION STA. 211+96 TO STA. 213+74

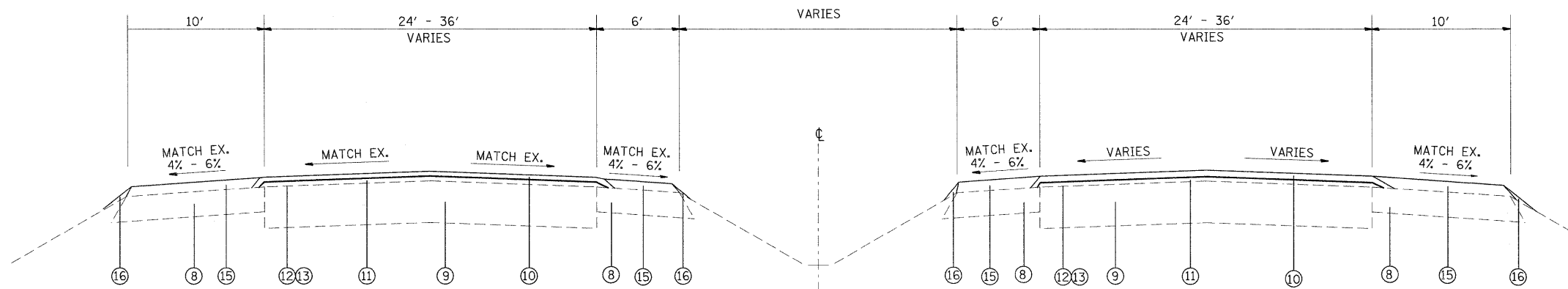
FILE NAME =	USER NAME = #USER#	DESIGNED -	REVISED -	<b>STATE OF ILLINOIS DEPARTMENT OF TRANSPORTATION</b>	<b>TYPICAL SECTIONS</b>			F.A.P. RTE.	SECTION	COUNTY	TOTAL SHEETS	SHEET NO.
#FILEL#	PLOT SCALE = #SCALE#	DRAWN -	REVISED -					785	(132-2,3,4, 133-1)RS	MADISON	122	18
	PLOT DATE = #DATE#	CHECKED -	REVISED -		SCALE: _____ SHEET NO. ___ OF ___ SHEETS STA. _____ TO STA. _____			CONTRACT NO. 76B80				
		DATE -	REVISED -		FED. ROAD DIST. NO. _____ ILLINOIS FED. AID PROJECT							



TYPICAL SECTION IL 140/111  
 STA. 141+94 TO STA. 151+41  
 (LEFT TURN LANES AT PARK ROAD)

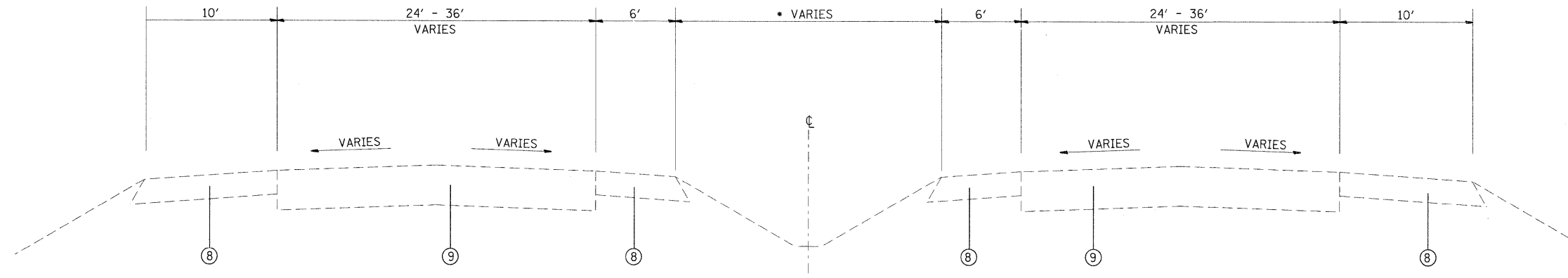
**LEGEND**

- ① EXISTING 10" PCC PAVEMENT
- ② EXISTING PCC MEDIAN 4"
- ③ EXISTING CC & G M6.12
- ④ EXISTING HMA MEDIAN (VARIABLE DEPTH)
- ⑤ EXISTING CC & G B6.24
- ⑥ EXISTING CC & G B9.24
- ⑦ EXISTING HMA OVERLAY (2 1/2")
- ⑧ EXISTING HMA SHOULDER (10")
- ⑨ EXISTING CON. REINFORCED CONC. PAVEMENT (8")
- ⑩ PROPOSED HMA SURFACE COURSE, MIX D, N90 (1 1/2")
- ⑪ PROPOSED LEVELING BINDER (MM), N90 (1")
- ⑫ PROPOSED BITUMINOUS MATERIALS (PRIME COAT)
- ⑬ PROPOSED AGGREGATE (PRIME COAT)
- ⑭ PROPOSED PORTLAND CEMENT CONCRETE BASE COURSE 10"
- ⑮ PROPOSED HMA SHOULDERS (TON)
- ⑯ PROPOSED AGG. WEDGE SHOULDER, TYPE B (TON)
- ⑰ PROPOSED HMA SURFACE REMOVAL (1 1/2")



TYPICAL SECTION IL 140/111  
 STA. 141+94 TO STA. 151+41  
 (LEFT TURN LANES AT PARK ROAD)

FILE NAME =	USER NAME = #USER#	DESIGNED -	REVISED -	<b>STATE OF ILLINOIS DEPARTMENT OF TRANSPORTATION</b>	<b>TYPICAL SECTIONS</b>	F.A.P. RTE.	SECTION	COUNTY	TOTAL SHEETS	SHEET NO.	
#FILEL#	PLOT SCALE = #SCALE#	DRAWN -	REVISED -			785	(132-2,3,4, 133-URS)	MADISON	122	19	
	PLOT DATE = #DATE#	CHECKED -	REVISED -			CONTRACT NO. 76B80					
		DATE -	REVISED -			FED. ROAD DIST. NO. ILLINOIS FED. AID PROJECT					
						SCALE: _____	SHEET NO. _____ OF _____ SHEETS	STA. _____ TO STA. _____			

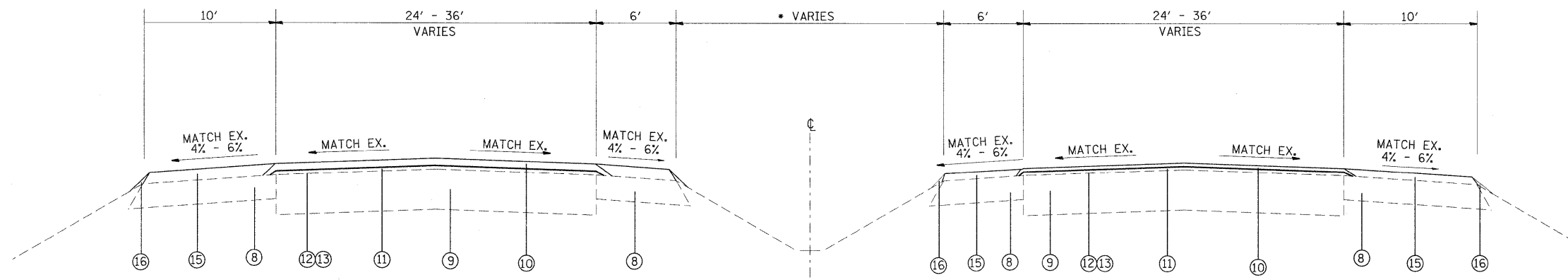


EXISTING TYPICAL SECTION IL 140/111  
 STA. 167+97 TO STA. 182+07  
 (LEFT AND RIGHT TURN LANES AT POWDER MILL ROAD)

\* RAISED MEDIAN FOR WB LEFT TURN LANE

**LEGEND**

- ① EXISTING 10" PCC PAVEMENT
- ② EXISTING PCC MEDIAN 4"
- ③ EXISTING CC & G M6.12
- ④ EXISTING HMA MEDIAN (VARIABLE DEPTH)
- ⑤ EXISTING CC & G B6.24
- ⑥ EXISTING CC & G B9.24
- ⑦ EXISTING HMA OVERLAY (2 1/2")
- ⑧ EXISTING HMA SHOULDER (10")
- ⑨ EXISTING CON. REINFORCED CONC. PAVEMENT (8")
- ⑩ PROPOSED HMA SURFACE COURSE, MIX D, N90 (1 1/2")
- ⑪ PROPOSED LEVELING BINDER (MM), N90 (1")
- ⑫ PROPOSED BITUMINOUS MATERIALS (PRIME COAT)
- ⑬ PROPOSED AGGREGATE (PRIME COAT)
- ⑭ PROPOSED PORTLAND CEMENT CONCRETE BASE COURSE 10"
- ⑮ PROPOSED HMA SHOULDERS (TON)
- ⑯ PROPOSED AGG. WEDGE SHOULDER, TYPE B (TON)
- ⑰ PROPOSED HMA SURFACE REMOVAL (1 1/2")

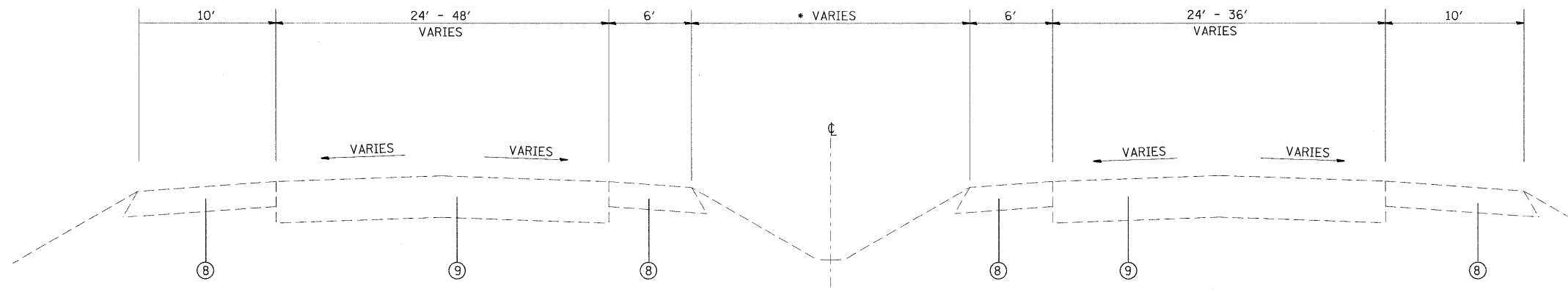


PROPOSED TYPICAL SECTION IL 140/111  
 STA. 167+97 TO STA. 182+07  
 (LEFT AND RIGHT TURN LANES AT POWDER MILL ROAD)

\* RAISED MEDIAN FOR WB LEFT TURN LANE

FILE NAME = *FILEL*	USER NAME = *USER*	DESIGNED - ___	REVISED - ___	<b>STATE OF ILLINOIS DEPARTMENT OF TRANSPORTATION</b>	<b>TYPICAL SECTIONS</b>			F.A.P. RTE.	SECTION	COUNTY	TOTAL SHEETS	SHEET NO.
	PLOT SCALE = *SCALE*	DRAWN - ___	REVISED - ___		785	(132-2,3,4, 133-1)RS	MADISON	122	20			
	PLOT DATE = *DATE*	CHECKED - ___	REVISED - ___		CONTRACT NO. 76B80							
		DATE - _____	REVISED - ___		ILLINOIS FED. AID PROJECT							
				SCALE: _____	SHEET NO. ___ OF ___ SHEETS	STA. _____ TO STA. _____						



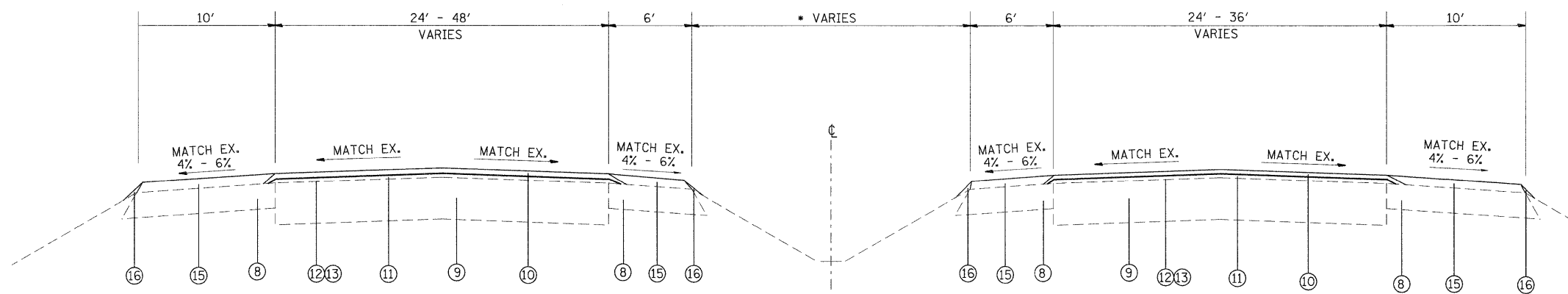


EXISTING TYPICAL SECTION IL 140/111  
 STA. 195+29 TO STA. 206+87  
 (LEFT AND RIGHT TURN LANES AT STANLEY ROAD)

- \* RAISED MEDIAN FOR EB LEFT TURN LANE
- \* RAISED MEDIAN FOR EB LEFT TURN LANE

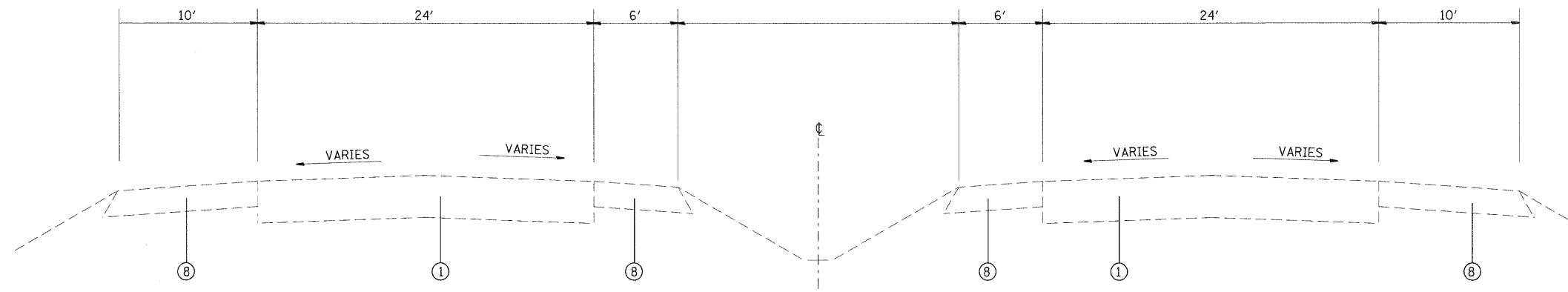
**LEGEND**

- ① EXISTING 10" PCC PAVEMENT
- ② EXISTING PCC MEDAIN 4"
- ③ EXISTING CC & G M6.12
- ④ EXISTING HMA MEDIAN (VARIABLE DEPTH)
- ⑤ EXISTING CC & G B6.24
- ⑥ EXISTING CC & G B9.24
- ⑦ EXISTING HMA OVERLAY (2 1/2")
- ⑧ EXISTING HMA SHOULDER (10")
- ⑨ EXISTING CON. REINFORCED CONC. PAVEMENT (8")
- ⑩ PROPOSED HMA SURFACE COURSE, MIX D, N90 (1 1/2")
- ⑪ PROPOSED LEVELING BINDER (MM), N90 (1")
- ⑫ PROPOSED BITUMINOUS MATERIALS (PRIME COAT)
- ⑬ PROPOSED AGGREGATE (PRIME COAT)
- ⑭ PROPOSED PORTLAND CEMENT CONCRETE BASE COURSE 10"
- ⑮ PROPOSED HMA SHOULDERS (TON)
- ⑯ PROPOSED AGG. WEDGE SHOULDER, TYPE B (TON)
- ⑰ PROPOSED HMA SURFACE REMOVAL (1 1/2")



PROPOSED TYPICAL SECTION IL 140/111  
 STA. 195+29 TO STA. 206+87  
 (LEFT AND RIGHT TURN LANES AT STANLEY ROAD)

FILE NAME =	USER NAME = #USER#	DESIGNED -	REVISED -	<b>STATE OF ILLINOIS DEPARTMENT OF TRANSPORTATION</b>	<b>TYPICAL SECTIONS</b>	F.A.P. RTE.	SECTION	COUNTY	TOTAL SHEETS	SHEET NO.	
#FILEL#		DRAWN -	REVISED -			785	(132-2,3,4, 133-1)RS	MADISON	122	21	
	PLOT SCALE = #SCALE#	CHECKED -	REVISED -			<b>CONTRACT NO. 76B80</b>					
	PLOT DATE = #DATE#	DATE -	REVISED -			ILLINOIS FED. AID PROJECT					
						SCALE: _____ SHEET NO. ___ OF ___ SHEETS STA. _____ TO STA. _____					



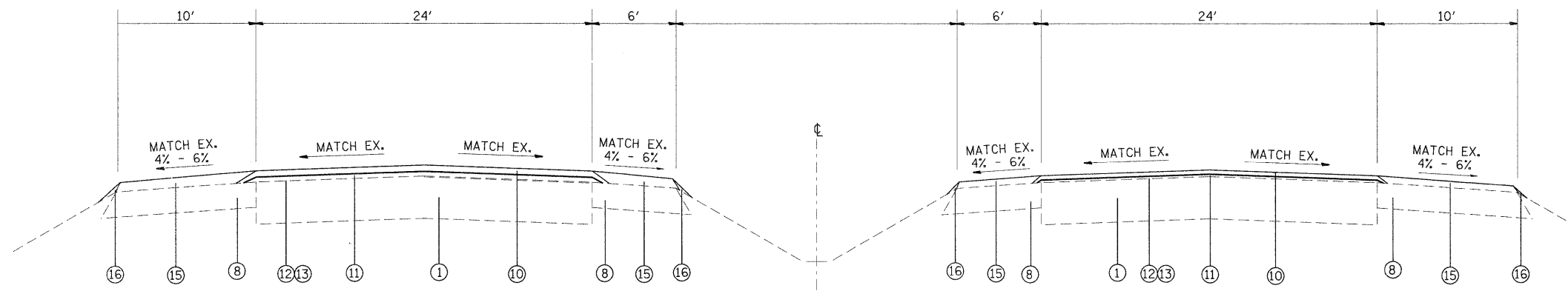
TYPICAL SECTION IL 140/111  
STA. 214+96 TO STA. 456+00

STRUCTURE OMISSION STA. 211+52 TO STA. 213+99

\* STATION EQUATION 215+45 = 453+54 \*

**LEGEND**

- ① EXISTING 10" PCC PAVEMENT
- ② EXISTING PCC MEDAIN 4"
- ③ EXISTING CC & G M6.12
- ④ EXISTING HMA MEDIAN (VARIABLE DEPTH)
- ⑤ EXISTING CC & G B6.24
- ⑥ EXISTING CC & G B9.24
- ⑦ EXISTING HMA OVERLAY (2 1/2")
- ⑧ EXISTING HMA SHOULDER (10")
- ⑨ EXISTING CON. REINFORCED CONC. PAVEMENT (8")
- ⑩ PROPOSED HMA SURFACE COURSE, MIX D, N90 (1 1/2")
- ⑪ PROPOSED LEVELING BINDER (MM), N90 (1")
- ⑫ PROPOSED BITUMINOUS MATERIALS (PRIME COAT)
- ⑬ PROPOSED AGGREGATE (PRIME COAT)
- ⑭ PROPOSED PORTLAND CEMENT CONCRETE BASE COURSE 10"
- ⑮ PROPOSED HMA SHOULDERS (TON)
- ⑯ PROPOSED AGG. WEDGE SHOULDER, TYPE B (TON)
- ⑰ PROPOSED HMA SURFACE REMOVAL (1 1/2")

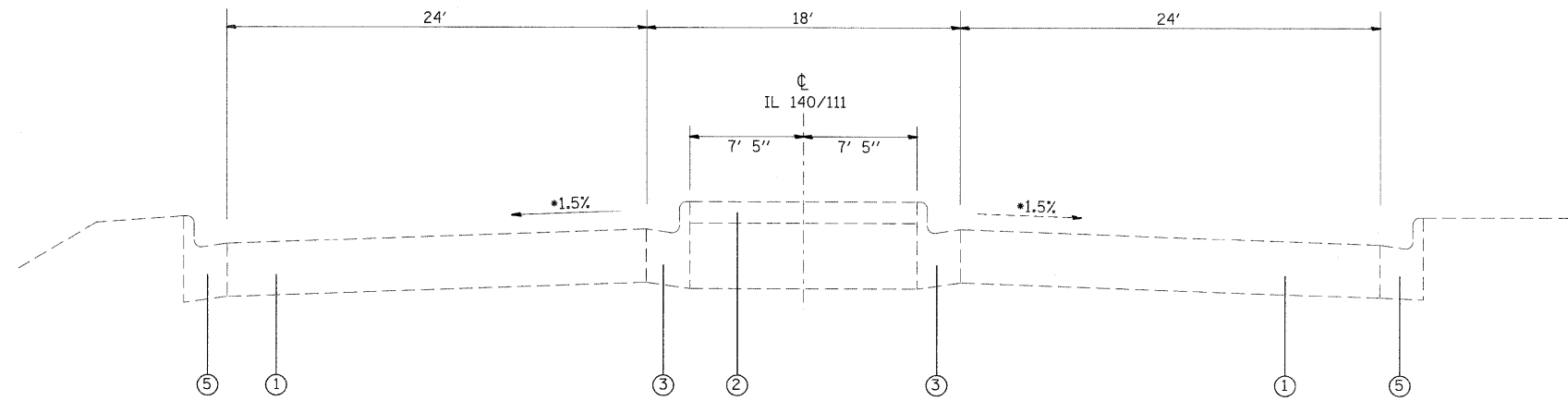


TYPICAL SECTION IL 140/111  
STA. 214+96 TO STA. 456+00

STRUCTURE OMISSION STA. 211+52 TO STA. 213+99

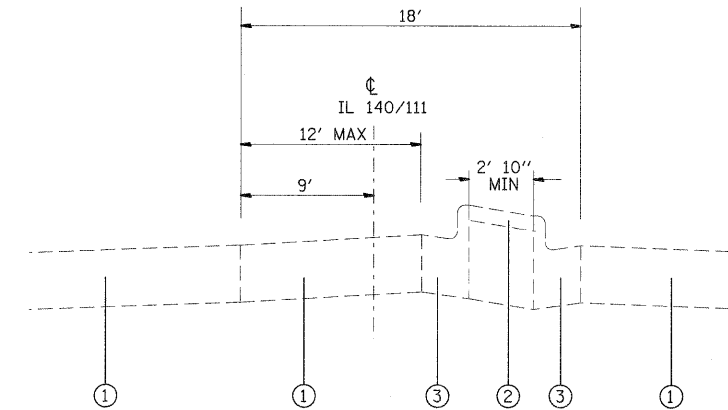
\* STATION EQUATION 215+45 = 453+54 \*

FILE NAME =	USER NAME = #USER#	DESIGNED -	REVISED -	<b>STATE OF ILLINOIS DEPARTMENT OF TRANSPORTATION</b>	<b>TYPICAL SECTIONS</b>			F.A.P. RTE.	SECTION	COUNTY	TOTAL SHEETS	SHEET NO.
#FILEL#		DRAWN -	REVISED -					785	(132-2,3,4, 133-1)RS	MADISON	122	22
	PLOT SCALE = #SCALE#	CHECKED -	REVISED -		SCALE: _____ SHEET NO. _____ OF _____ SHEETS			CONTRACT NO. 76B80				
	PLOT DATE = #DATE#	DATE -	REVISED -		STA. _____ TO STA. _____			FED. ROAD DIST. NO. _____ ILLINOIS FED. AID PROJECT				



TYPICAL SECTION IL 140/111  
 STA. 456+00 TO STA. 468+60  
 WOODRIVER AVE. TO WILLIAMS STREET

\*1.5% CROSS-SLOPE IN TANGENT SECTION, VARIES IN SUPERELEVATED SECTIONS.

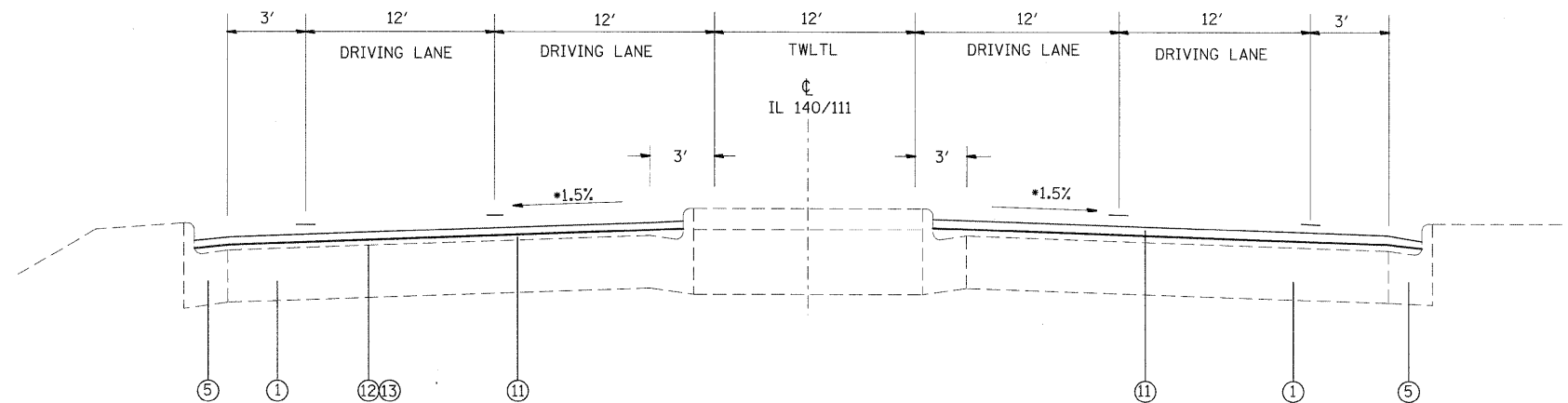


TYPICAL SECTION IL 140/111  
 FULL LEFT TURN LANE

12' LEFT TURN LANE WIDTH VARIES IN TRANSITION AREAS.  
 MEDIAN WIDTH TO INCREASE PROPORTIONALLY TO DECREASE IN WIDTH OF LEFT TURN LANE WIDTH.  
 CURB AND GUTTER FLAG SLOPE EQUALS PAVEMENT CROSS-SLOPE IN SUPERELEVATED SECTIONS.

**LEGEND**

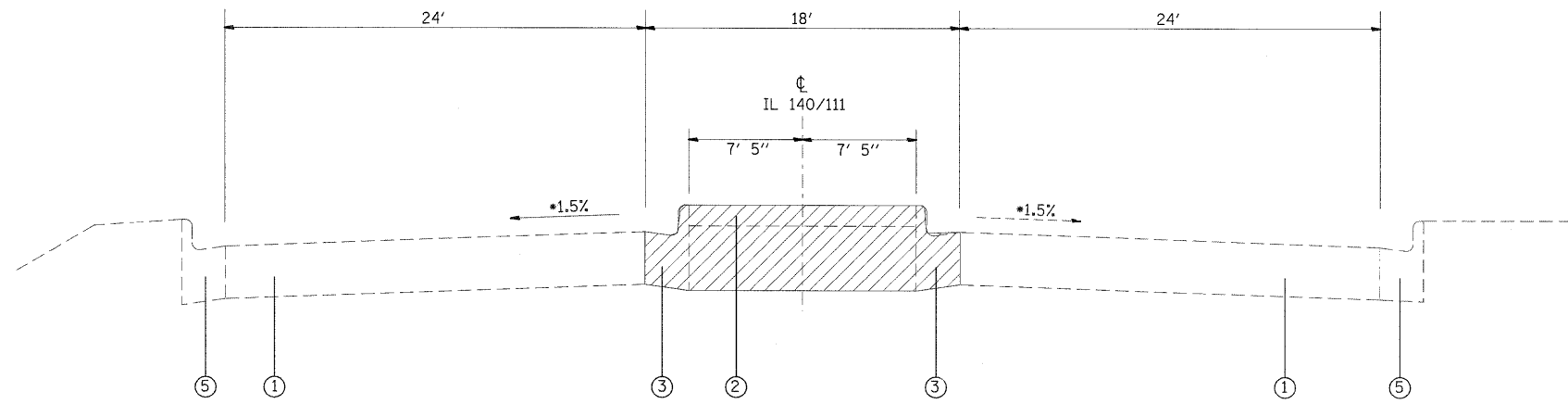
- ① EXISTING 10" PCC PAVEMENT
- ② EXISTING PCC MEDIAN 4"
- ③ EXISTING CC & G M6.12
- ④ EXISTING HMA MEDIAN (VARIABLE DEPTH)
- ⑤ EXISTING CC & G B6.24
- ⑥ EXISTING CC & G B9.24
- ⑦ EXISTING HMA OVERLAY (2 1/2")
- ⑧ EXISTING HMA SHOULDER (10")
- ⑨ EXISTING CON. REINFORCED CONC. PAVEMENT (8")
- ⑩ PROPOSED HMA SURFACE COURSE, MIX D, N90 (1 1/2")
- ⑪ PROPOSED LEVELING BINDER (MM), N90 (1")
- ⑫ PROPOSED BITUMINOUS MATERIALS (PRIME COAT)
- ⑬ PROPOSED AGGREGATE (PRIME COAT)
- ⑭ PROPOSED PORTLAND CEMENT CONCRETE BASE COURSE 10"
- ⑮ PROPOSED HMA SHOULDERS (TON)
- ⑯ PROPOSED AGG. WEDGE SHOULDER, TYPE B (TON)
- ⑰ PROPOSED HMA SURFACE REMOVAL (1 1/2")
- ⑱ PROPOSED AGG BASE COURSE, TYPE B (4")



TYPICAL SECTION IL 140/111  
 STA. 456+00 TO STA. 468+60  
 WOODRIVER AVE. TO WILLIAMS STREET

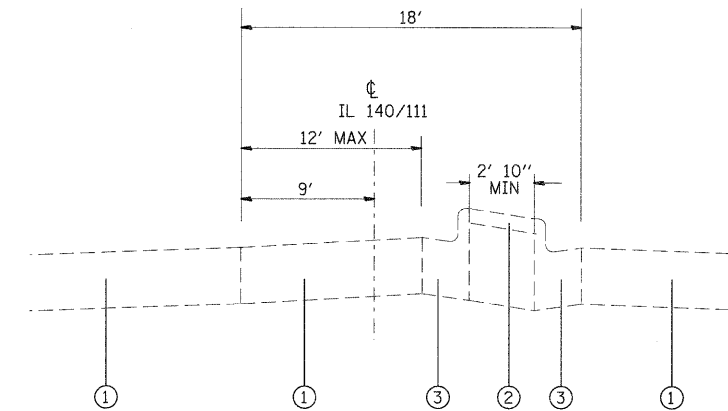
\*1.5% CROSS-SLOPE IN TANGENT SECTION, VARIES IN SUPERELEVATED SECTIONS.

FILE NAME =	USER NAME = #USER#	DESIGNED -	REVISED -	<b>STATE OF ILLINOIS DEPARTMENT OF TRANSPORTATION</b>	<b>TYPICAL SECTIONS</b>	F.A.P. RTE. 785	SECTION (132-2,3,4, 133-1)RS	COUNTY MADISON	TOTAL SHEETS 122	SHEET NO. 23	
#FILEL#	PLOT SCALE = #SCALE#	DRAWN -	REVISED -			SCALE: _____ SHEET NO. ___ OF ___ SHEETS STA. _____ TO STA. _____		CONTRACT NO. 76B80			
	PLOT DATE = #DATE#	CHECKED -	REVISED -			FED. ROAD DIST. NO. _____ ILLINOIS FED. AID PROJECT					
		DATE -	REVISED -								



TYPICAL SECTION IL 140/111  
 STA. 468+60 TO STA. 499+80  
 WOODRIVER AVE. TO WILLIAMS STREET

\*1.5% CROSS-SLOPE IN TANGENT SECTION, VARIES IN SUPERELEVATED SECTIONS.

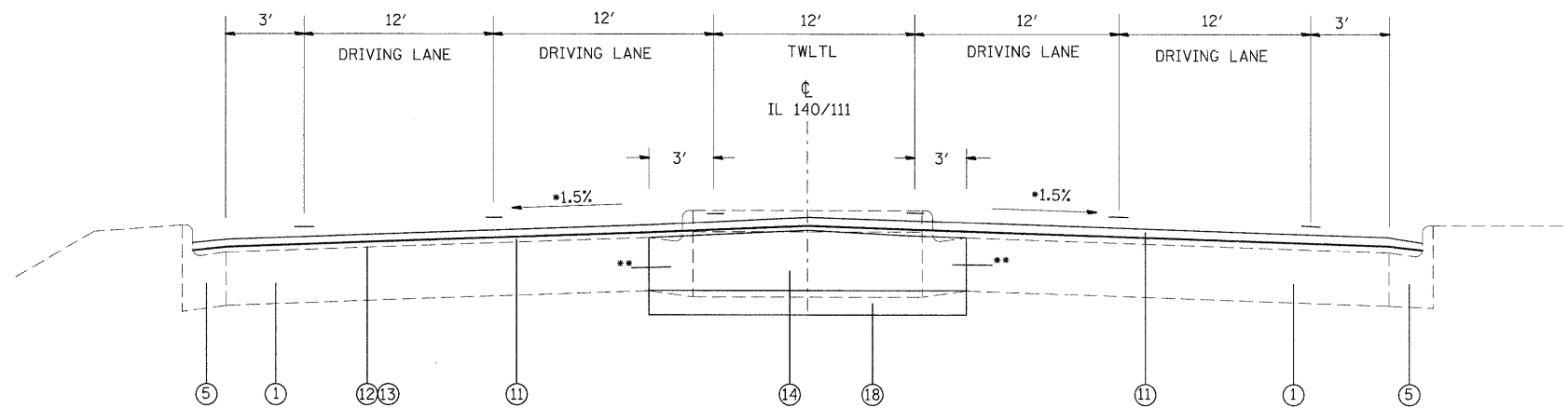


TYPICAL SECTION IL 140/111  
 FULL LEFT TURN LANE

12' LEFT TURN LANE WIDTH VARIES IN TRANSITION AREAS.  
 MEDIAN WIDTH TO INCREASE PROPORTIONALLY TO DECREASE IN WIDTH OF LEFT TURN LANE WIDTH.  
 CURB AND GUTTER FLAG SLOPE EQUALS PAVEMENT CROSS-SLOPE IN SUPERELEVATED SECTIONS.

**LEGEND**

- ① EXISTING 10" PCC PAVEMENT
- ② EXISTING PCC MEDAIN 4"
- ③ EXISTING CC & G M6.12
- ④ EXISTING HMA MEDIAN (VARIABLE DEPTH)
- ⑤ EXISTING CC & G B6.24
- ⑥ EXISTING CC & G B9.24
- ⑦ EXISTING HMA OVERLAY (2 1/2")
- ⑧ EXISTING HMA SHOULDER (10")
- ⑨ EXISTING CON. REINFORCED CONC. PAVEMENT (8")
- ⑩ PROPOSED HMA SURFACE COURSE, MIX D, N90 (1 1/2")
- ⑪ PROPOSED LEVELING BINDER (MM), N90 (1")
- ⑫ PROPOSED BITUMINOUS MATERIALS (PRIME COAT)
- ⑬ PROPOSED AGGREGATE (PRIME COAT)
- ⑭ PROPOSED PORTLAND CEMENT CONCRETE PAVEMENT (JOINTED) 10"
- ⑮ PROPOSED HMA SHOULDERS (TON)
- ⑯ PROPOSED AGG. WEDGE SHOULDER, TYPE B (TON)
- ⑰ PROPOSED HMA SURFACE REMOVAL (1 1/2")
- ⑱ PROPOSED AGG BASE COURSE, TYPE B (4")



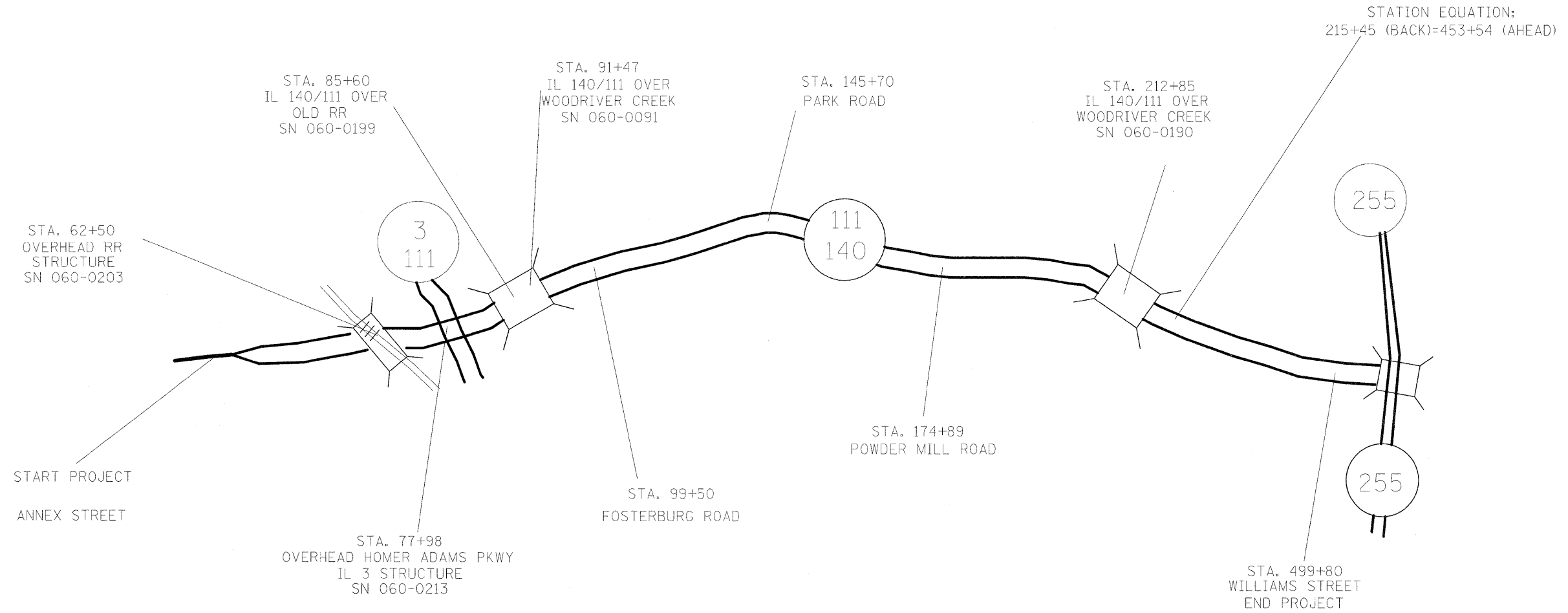
TYPICAL SECTION IL 140/111  
 STA. 468+60 TO STA. 499+80  
 WOODRIVER AVE. TO WILLIAMS STREET

\* 1.5% CROSS-SLOPE IN TANGENT SECTION, VARIES IN SUPERELEVATED SECTIONS.  
 \*\* TIE BARS ON 24" CTS



ADDITIONAL LEVELING BINDER TO ACHIEVE CROSS-SLOPES SHALL BE UTILIZED.

FILE NAME =	USER NAME = #USER#	DESIGNED -	REVISED -	<b>STATE OF ILLINOIS DEPARTMENT OF TRANSPORTATION</b>	<b>TYPICAL SECTIONS</b>			F.A.P. RTE.	SECTION	COUNTY	TOTAL SHEETS	SHEET NO.
#FILEL#		DRAWN -	REVISED -		785	(132-2,3,4, 133-1)RS	MADISON	122	24			
	PLOT SCALE = #SCALE#	CHECKED -	REVISED -		SCALE: _____ SHEET NO. ___ OF ___ SHEETS STA. _____ TO STA. _____			CONTRACT NO. 76B80				
	PLOT DATE = #DATE#	DATE -	REVISED -		FED. ROAD DIST. NO. - ILLINOIS FED. AID PROJECT							



STRUCTURE OMISSIONS:  
 STA. 84+64 TO STA. 86+55  
 STA. 90+00 TO STA. 92+69  
 STA. 211+96 TO STA. 213+74

NOT TO SCALE (SCHEMATIC ONLY)  
 STATIONS ARE APPROXIMATE FROM MICROFILM AND OTHER EXISTING MAPS

FILE NAME = e:\pwork\pwork\karl\as1\d0169744\d876880-sht-plan.dgn	USER NAME = karl\as1	DESIGNED -	REVISED -	<b>STATE OF ILLINOIS DEPARTMENT OF TRANSPORTATION</b>	<b>LOCATION MAP</b>		F.A.P. RTE.	SECTION	COUNTY	TOTAL SHEETS	SHEET NO.
	PLOT SCALE = 50,0000 "/ IN.	CHECKED -	REVISED -				785	(132-2,3,4, 133-1)RS	MADISON	122	25
PLOT DATE = 2/4/2011	DATE -	REVISED -	SCALE: _____ SHEET NO. ___ OF ___ SHEETS STA. _____ TO STA. _____		FED. ROAD DIST. NO. _ ILLINOIS FED. AID PROJECT		<b>CONTRACT NO. 76B80</b>				

## HMA QUANTITIES

LOCATION			AREA (SQ YD)	HMA SURFACE COURSE (TON)	LEVELING BINDER (MACHINE METHOD) (TON)	406	406
STA.	TO	STA.				BITUMINOUS MATERIALS (PRIME COAT) (TON)	AGGREGATE MATERIALS (PRIME COAT) (TON)
41+97	-	114+28	59,089.0	4,963.5	3,309.0	18.5	88.6
114+28	-	202+50	51,262.0	4,306.0	2,870.7	16.0	76.9
202+50	-	468+75	15,405.0	1,294.0	862.7	4.8	23.1
468+75	-	499+80	24,150.0	2,028.6	1700.0	7.6	36.2
	-						
TOTAL			149,906.0	12,592.1	8742.4	46.9	224.8

## HMA SHOULDERS (TON)

LOCATION		HMA SHOULDERS (TON)	408
STA.	STA.		BITUMINOUS MATERIALS (PRIME COAT) (TON)
86+55	90+00	107.3	1.20
92+69	114+28	671.7	7.51
	SUBTOTAL	779.0	8.71
114+28	202+50	4291.8	47.96
	SUBTOTAL	4291.8	47.96
202+50	456+00	642.6	7.18
	SUBTOTAL	642.6	7.18
	TOTAL	5,713.4	63.85

FILE NAME =	USER NAME = #USER#	DESIGNED - ---	REVISED - ---	<b>STATE OF ILLINOIS DEPARTMENT OF TRANSPORTATION</b>	<b>SCHEDULE OF QUANTITIES</b>			F.A.P. RTE.	SECTION	COUNTY	TOTAL SHEETS	SHEET NO.
#FILEL#		DRAWN - ---	REVISED - ---		SCALE: _____	SHEET NO. ___ OF ___ SHEETS	STA. _____ TO STA. _____	785	(132-2,3,4, 133-1)RS	MADISON	122	26
	PLOT SCALE = #SCALE#	CHECKED - ---	REVISED - ---		CONTRACT NO. 76B80							
	PLOT DATE = #DATE#	DATE - -----	REVISED - ---		FED. ROAD DIST. NO. - ILLINOIS FED. AID PROJECT							

AGGREGATE WEDGE SHOULDER, TYPE B

LOCATION		SIDE (RT/LT)	AGG. WEDGE SHOULDER
STA.	STA.		TYPE B (TON)
92+69	114+28	BOTH	98
SUBTOTAL			98
114+28	202+50	4 SIDES	808
SUBTOTAL			808
202+50	456+00	4 SIDES	127
SUBTOTAL			127
TOTAL			1033

HMA SURFACE REMOVAL, 1 1/2"

LOCATION		DIRECTION	HMA SURF. REMOVAL,
STA.	STA.		1 1/2" (SQ YD)
80+44	84+64	WB ONLY	2567
86+55	89+60	WB ONLY	1695
SUBTOTAL			4262
TOTAL			4262

FILE NAME =	USER NAME = #USER#	DESIGNED -	REVISED -	<b>STATE OF ILLINOIS DEPARTMENT OF TRANSPORTATION</b>	<b>SCHEDULE OF QUANTITIES</b>			F.A.P. RTE.	SECTION	COUNTY	TOTAL SHEETS	SHEET NO.
#FILEL#		DRAWN -	REVISED -					785	(132-2,3,4, 133-1)RS	MADISON	122	27
		CHECKED -	REVISED -		SCALE: _____ SHEET NO. ___ OF ___ SHEETS STA. _____ TO STA. _____			CONTRACT NO. 76B80				
		DATE -	REVISED -		FED. ROAD DIST. NO. -		ILLINOIS FED. AID PROJECT					

## CLASS B PATCHING

MILE STATION (MI.)	DIRECTION (EB / WB)	LANE DESCRIPTION	LENGTH (FT)	WIDTH (FT)	AREA (SQ YD)	TYPE II (SQ YD)	TYPE III (SQ YD)	TYPE IV (SQ YD)	SAW CUTS (FT)	DOWEL BARS (EACH)	PAVEMENT FABRIC (SQ YD)
0.46	WB	4TH LANE	6	12	8.0	8.0			48	20	
3.24	WB	DL	6	12	8.0	8.0			48	20	
3.26	WB	DL	6	12	8.0	8.0			48	20	
3.26	WB	PL	6	12	8.0	8.0			48	20	
3.27	WB	DL	6	12	8.0	8.0			48	20	
3.27	WB	PL	6	12	8.0	8.0			48	20	
3.30	WB	DL	6	12	8.0	8.0			48	20	
3.30	WB	PL	6	12	8.0	8.0			48	20	
3.33	WB	DL	6	12	8.0	8.0			48	20	
3.33	WB	PL	6	12	8.0	8.0			48	20	
3.34	WB	DL	6	12	8.0	8.0			48	20	
3.34	WB	PL	6	12	8.0	8.0			48	20	
3.35	WB	DL	6	12	8.0	8.0			48	20	
3.35	WB	PL	6	12	8.0	8.0			48	20	
3.37	WB	DL	12	12	16.0		16.0		60	20	16.0
3.37	WB	PL	12	12	16.0		16.0		60	20	16.0
3.39	WB	DL	6	12	8.0	8.0			48	20	
3.41	WB	DL	6	12	8.0	8.0			48	20	
3.41	WB	DL	6	12	8.0	8.0			48	20	
3.45	WB	PL	6	12	8.0	8.0			48	20	
3.46	WB	PL	6	12	8.0	8.0			48	20	
3.46	WB	PL	6	12	8.0	8.0			48	20	
3.49	WB	DL	6	12	8.0	8.0			48	20	
3.49	WB	PL	6	12	8.0	8.0			48	20	
3.50	WB	DL	12	12	16.0		16.0		60	20	16.0
3.54	WB	DL	6	12	8.0				48	20	
3.54	WB	PL	6	12	8.0	8.0			48	20	
3.57	WB	PL	10	12	13.3	13.3			56	20	
3.66	WB	DL	12	12	16.0		16.0		60	20	16.0
3.66	WB	PL	12	12	16.0		16.0		60	20	16.0
3.67	WB	PL	6	12	8.0	8.0			48	20	
3.69	WB	PL	10	12	13.3	13.3			56	20	

SCHEDULE CONTINUED (SEE NEXT SHEET)

FILE NAME =	USER NAME = #USER#	DESIGNED -	REVISED -	<b>STATE OF ILLINOIS DEPARTMENT OF TRANSPORTATION</b>	<b>SCHEDULE OF QUANTITIES</b>				F.A.P. RTE.	SECTION	COUNTY	TOTAL SHEETS	SHEET NO.
#FILE#		DRAWN -	REVISED -		SCALE: _____	SHEET NO. ___ OF ___ SHEETS	STA. _____	TO STA. _____	785	(132-2,3,4, 133-1)RS	MADISON	122	28
		CHECKED -	REVISED -						CONTRACT NO. 76B80				
		DATE -	REVISED -					FED. ROAD DIST. NO. ILLINOIS FED. AID PROJECT					



CLASS B PATCHING (CONTINUED FROM PREVIOUS SHEET)

MILE STATION (MI.)	DIRECTION (EB / WB)	LANE DESCRIPTION	LENGTH (FT)	WIDTH (FT)	AREA (SQ YD)	TYPE II (SQ YD)	TYPE III (SQ YD)	TYPE IV (SQ YD)	SAW CUTS (FT)	DOWEL BARS (EACH)	PAVEMENT FABRIC (SQ YD)
3.69	WB	DL	10	12	13.3	13.3			56	20	
3.75	WB	PL	6	12	8.0	8.0			48	20	
3.75	WB	DL	6	12	8.0	8.0			48	20	
3.80	WB	DL	6	12	8.0	8.0			48	20	
3.80	WB	PL	6	12	8.0	8.0			48	20	
3.81	WB	PL	6	12	8.0	8.0			48	20	
3.83	WB	DL	6	12	8.0	8.0			48	20	
3.83	WB	PL	6	12	8.0	8.0			48	20	
3.85	WB	DL	6	12	8.0	8.0			48	20	
3.85	WB	PL	6	12	8.0	8.0			48	20	
3.96	WB	DL	6	12	8.0	8.0			48	20	
3.96	WB	PL	6	12	8.0	8.0			48	20	
4.06	WB	DL	8	12	10.7	10.7			52	20	
4.06	WB	PL	8	12	10.7	10.7			52	20	
4.10	WB	DL	6	12	8.0	8.0			48	20	
4.10	WB	PL	6	12	8.0	8.0			48	20	
4.13	WB	DL	6	12	8.0	8.0			48	20	
0.80	EB	3RD LANE	6	12	8.0	8.0			48	20	
0.85	EB	3RD LANE	6	12	8.0	8.0			48	20	
0.89	EB	3RD LANE	6	12	8.0	8.0			48	20	
3.31	EB	RT LANE	6	12	8.0	8.0			48	20	
3.35	EB	DL	6	12	8.0	8.0			48	20	
3.35	EB	PL	6	12	8.0	8.0			48	20	
3.42	EB	RT LANE	6	12	8.0	8.0			48	20	
3.50	EB	RT LANE	8	12	10.7	10.7			52	20	
3.51	EB	RT LANE	6	12	8.0	8.0			48	20	
3.69	EB	LT LANE	6	12	8.0	8.0			48	20	
3.72	EB	RT LANE	6	12	8.0	8.0			48	20	
3.72	EB	LT LANE	6	12	8.0	8.0			48	20	
3.75	EB	RT LANE	8	12	10.7	10.7			52	20	
4.09	EB	RT LANE	8	12	10.7	10.7			52	20	
4.09	EB	LT LANE	8	12	10.7	10.7			52	20	
4.11	EB	RT LANE	10	12	13.3	13.3			56	20	
4.11	EB	LT LANE	10	12	13.3	13.3			56	20	
4.16	EB	1ST LANE	20	12	26.7			26.7	76	20	26.7
4.16	EB	2ND LANE	20	12	26.7			26.7	76	20	26.7
TOTALS						522.7	80.0	53.4	3444	1360	133.4

FILE NAME =	USER NAME = #USER#	DESIGNED -	REVISED -	<b>STATE OF ILLINOIS DEPARTMENT OF TRANSPORTATION</b>	<b>SCHEDULE OF QUANTITIES</b>				F.A.P. RTE.	SECTION	COUNTY	TOTAL SHEETS	SHEET NO.
#FILEL#		DRAWN -	REVISED -						785	(132-2,3,4, 133-1)RS	MADISON	122	29
	PLOT SCALE = #SCALE#	CHECKED -	REVISED -		SCALE: _____ SHEET NO. ___ OF ___ SHEETS STA. _____ TO STA. _____				FED. ROAD DIST. NO. - ILLINOIS FED. AID PROJECT				
	PLOT DATE = #DATE#	DATE -	REVISED -		CONTRACT NO. 76B80								

# CLASS A PATCHING

MILE STATION (MI.)	DIRECTION (EB / WB)	LANE DESCRIPTION	LENGTH (FT)	WIDTH (FT)	AREA (SQ YD)	TYPE II (SQ YD) 5 to 15	TYPE III (SQ YD) 15 to 25	TYPE IV (SQ YD) 25+	SAW CUTS (FT)	TIE BARS (EACH)	PATCHING REINFORCEMENT (SQ YD)
2.46	WB	PL	20	12	26.7			26.7	88	10	26.7
2.46	WB	DL	20	12	26.7			26.7	88	10	26.7
2.45	WB	PL	12	12	16.0		16.0		72		16.0
2.45	WB	DL	12	12	16.0		16.0		72		16.0
2.49	WB	PL	30	12	40.0			40.0	108		40.0
2.49	WB	DL	30	12	40.0			40.0	108		40.0
2.51	WB	PL	40	12	53.3			53.3	128	20	53.3
2.51	WB	DL	40	12	53.3			53.3	128	20	53.3
2.52	WB	DL	35	12	46.7			46.7	118	18	46.7
2.53	WB	PL	15	12	20.0		20.0		78		20.0
2.53	WB	DL	15	12	20.0		20.0		78		20.0
2.54	WB	PL	25	12	33.3			33.3	98		33.3
2.54	WB	DL	25	12	33.3			33.3	98		33.3
1.22	EB	2ND LANE	25	12	33.3			33.3	98		33.3
1.41	EB	RT LANE	80	12	106.7			106.7	208	40	106.7
2.68	EB	RT LANE	60	12	80.0			80.0	168	30	80.0
2.75	EB	RT LANE	10	12	13.3	13.3		13.3	68		13.3
3.08	EB	RT LANE	60	12	80.0			80.0	168	30	80.0
					TOTALS	13.3	72.0	666.6	1972	178	738.6

FILE NAME =	USER NAME = #USER#	DESIGNED - ---	REVISED - ---	<b>STATE OF ILLINOIS DEPARTMENT OF TRANSPORTATION</b>	<b>SCHEDULE OF QUANTITIES</b>	F.A.P. RTE.	SECTION	COUNTY	TOTAL SHEETS	SHEET NO.	
#FILE#		DRAWN - ---	REVISED - ---			785	(132-2,3,4, 133-1)RS	MADISON	122	30	
	PLOT SCALE = #SCALE#	CHECKED - ---	REVISED - ---			CONTRACT NO. 76B80					
	PLOT DATE = #DATE#	DATE - ---	REVISED - ---			SCALE: _____ SHEET NO. ___ OF ___ SHEETS STA. _____ TO STA. _____					
FED. ROAD DIST. NO. - ILLINOIS FED. AID PROJECT											

# PARTIAL DEPTH PATCHING

MILE STATION (MI.)	DIRECTION (EB / WB)	LANE DESCRIPTION	LENGTH (FT)	WIDTH (FT)	AREA (SQ YD)	PARTIAL DEPTH REMOVAL, 2" (SQ YD)	PARTIAL DEPTH PATCHING (TON)
0.66	WB	3RD LANE	6	12	8.0	8.0	0.9
0.68	WB	2ND LANE	6	12	8.0	8.0	0.9
0.69	WB	2ND LANE	6	12	8.0	8.0	0.9
0.70	WB	2ND LANE	6	12	8.0	8.0	0.9
0.71	WB	3RD LANE	6	12	8.0	8.0	0.9
0.80	WB	2ND & 3RD LANE	250	2	55.6	55.6	6.2
0.81	WB	LANE JOINTS	450	2	100.0	100.0	11.2
0.91	WB	2ND & 3RD LANE	200	2	44.4	44.4	5.0
1.04	WB	LEFT TURN LANE TAPER	100	6	66.7	66.7	7.5
1.08	WB	DL	150	2	33.3	33.3	3.7
1.08	WB	PL	150	2	33.3	33.3	3.7
1.16	WB	DL	8	12	10.7	10.7	1.2
1.16	WB	PL	15	12	20.0	20.0	2.2
1.34	WB	PL	30	6	20.0	20.0	2.2
1.67	WB	DL	12	12	16.0	16.0	1.8
2.11	WB	DL	60	6	40.0	40.0	4.5
2.14	WB	DL	15	6	10.0	10.0	1.1
2.20	WB	LEFT TURN LANE PM ROAD	450	16	800.0	800.0	89.6
2.38	WB	DL	40	12	53.3	53.3	6.0
2.38	WB	PL	40	12	53.3	53.3	6.0
2.44	WB	DL	70	12	93.3	93.3	10.5
2.44	WB	PL	70	12	93.3	93.3	10.5
2.48	WB	PL	20	12	26.7	26.7	3.0
2.48	WB	DL	6	10	6.7	6.7	0.7
2.64	WB	DL	50	12	66.7	66.7	7.5
2.64	WB	PL	50	12	66.7	66.7	7.5
2.90	WB	ALL 4 LANES	400	48	2133.3	2133.3	238.9
2.99	WB	DL	140	12	186.7	186.7	20.9
2.99	WB	PL	140	12	186.7	186.7	20.9
3.07	WB	PL	60	12	80.0	80.0	9.0
3.07	WB	DL	60	12	80.0	80.0	9.0
3.25	WB	DL	6	12	8.0	8.0	0.9
3.25	WB	PL	6	12	8.0	8.0	0.9
3.60	WB	PL	100	12	133.3	133.3	14.9
3.60	WB	DL	100	12	133.3	133.3	14.9
3.61	WB	DL	6	12	8.0	8.0	0.9

SCHEDULE CONTINUED (SEE NEXT SHEET)

FILE NAME = *FILEL*	USER NAME = #USER*	DESIGNED - ---	REVISED - ---	<b>STATE OF ILLINOIS DEPARTMENT OF TRANSPORTATION</b>	<b>SCHEDULE OF QUANTITIES</b>			F.A.P. RTE.	SECTION	COUNTY	TOTAL SHEETS	SHEET NO.
	PLOT SCALE = #SCALE*	DRAWN - ---	REVISED - ---		SCALE: _____	SHEET NO. ___ OF ___ SHEETS	STA. _____ TO STA. _____	785	(132-2,3,4, 133-1)RS	MADISON	122	31
	PLOT DATE = #DATE*	CHECKED - ---	REVISED - ---					CONTRACT NO. 76B80				
		DATE - _____	REVISED - ---		FED. ROAD DIST. NO. ILLINOIS FED. AID PROJECT							

PARTIAL DEPTH PATCHING (CONTINUED FROM PREVIOUS SHEET)

MILE STATION (MI.)	DIRECTION (EB / WB)	LANE DESCRIPTION	LENGTH (FT)	WIDTH (FT)	AREA (SQ YD)	PARTIAL DEPTH REMOVAL, 2" (SQ YD)	PARTIAL DEPTH PATCHING (TON)
3.61	WB	PL	6	12	8.0	8.0	0.9
3.79	WB	PL	20	6	13.3	13.3	1.5
3.79	WB	DL	20	6	13.3	13.3	1.5
3.84	WB	PL	6	12	8.0	8.0	0.9
3.86	WB	PL	100	12	133.3	133.3	14.9
3.86	WB	DL	100	12	133.3	133.3	14.9
3.87	WB	DL	10	6	6.7	6.7	0.7
3.87	WB	PL	10	6	6.7	6.7	0.7
3.88	WB	DL	20	12	26.7	26.7	3.0
3.89	WB	DL	8	12	10.7	10.7	1.2
3.90	WB	DL	8	6	5.3	5.3	0.6
3.90	WB	PL	8	6	5.3	5.3	0.6
3.91	WB	DL	10	12	13.3	13.3	1.5
3.91	WB	PL	20	12	26.7	26.7	3.0
3.94	WB	DL	20	12	26.7	26.7	3.0
3.94	WB	PL	20	12	26.7	26.7	3.0
3.97	WB	DL	6	12	8.0	8.0	0.9
3.97	WB	PL	6	12	8.0	8.0	0.9
3.98	WB	DL	8	12	10.7	10.7	1.2
3.98	WB	PL	8	12	10.7	10.7	1.2
3.99	WB	DL	8	12	10.7	10.7	1.2
3.99	WB	PL	8	12	10.7	10.7	1.2
4.01	WB	DL	8	12	10.7	10.7	1.2
4.01	WB	PL	8	12	10.7	10.7	1.2
4.03	WB	DL	12	12	16.0	16.0	1.8
4.03	WB	PL	12	12	16.0	16.0	1.8
4.04	WB	PL	8	12	10.7	10.7	1.2
4.05	WB	PL	8	12	10.7	10.7	1.2
4.06	WB	PL	100	12	133.3	133.3	14.9
4.08	WB	PL	6	12	8.0	8.0	0.9
4.08	WB	DL	6	12	8.0	8.0	0.9
4.09	WB	PL	8	12	10.7	10.7	1.2
4.09	WB	DL	8	12	10.7	10.7	1.2
4.11	WB	PL	100	12	133.3	133.3	14.9
4.11	WB	DL	24	12	32.0	32.0	3.6
4.13	WB	DL	50	12	66.7	66.7	7.5
0.52	EB	MIDDLE LANE	6	12	8.0	8.0	0.9
0.52	EB	2ND LANE	40	12	53.3	53.3	6.0
0.72	EB	LEFT LANE	120	12	160.0	160.0	17.9
0.76	EB	LEFT TURN LANE	6	12	8.0	8.0	0.9

SCHEDULE CONTINUED (SEE NEXT SHEET)

FILE NAME =	USER NAME = #USER#	DESIGNED - ___	REVISED - ___	<b>STATE OF ILLINOIS DEPARTMENT OF TRANSPORTATION</b>	<b>SCHEDULE OF QUANTITIES</b>			F.A.P. RTE.	SECTION	COUNTY	TOTAL SHEETS	SHEET NO.
#FILE#	PLOT SCALE = #SCALE#	DRAWN - ___	REVISED - ___					785	(132-2,3,4, 133-1)RS	MADISON	122	32
	PLOT DATE = #DATE#	CHECKED - ___	REVISED - ___		SCALE: _____	SHEET NO. ___ OF ___ SHEETS	STA. _____ TO STA. _____	CONTRACT NO. 76B80				
		DATE - _____	REVISED - ___		FED. ROAD DIST. NO. - ILLINOIS FED. AID PROJECT							

PARTIAL DEPTH PATCHING (CONTINUED FROM PREVIOUS SHEET)

MILE STATION (MI.)	DIRECTION (EB / WB)	LANE DESCRIPTION	LENGTH (FT)	WIDTH (FT)	AREA (SQ YD)	PARTIAL DEPTH REMOVAL, 2" (SQ YD)	PARTIAL DEPTH PATCHING (TON)
0.87	EB	3RD LANE	6	12	8.0	8.0	0.9
0.90	EB	3RD LANE	6	12	8.0	8.0	0.9
0.95	EB	MIDDLE LANE	6	12	8.0	8.0	0.9
1.00	EB	3RD LANE	6	12	8.0	8.0	0.9
1.00	EB	LEFT TURN LANE	100	2	22.2	22.2	2.5
1.10	EB	ENT. JOINT	200	2	44.4	44.4	5.0
1.20	EB	RIGHT LANE JOINT	200	2	44.4	44.4	5.0
1.28	EB	2-3 LANE JOINT	60	2	13.3	13.3	1.5
1.95	EB	RT LANE	15	12	20.0	20.0	2.2
2.22	EB	RT LANE	35	12	46.7	46.7	5.2
2.32	EB	DL	175	12	233.3	233.3	26.1
2.32	EB	PL	175	12	233.3	233.3	26.1
2.53	EB	DL	15	12	20.0	20.0	2.2
2.53	EB	PL	15	12	20.0	20.0	2.2
2.77	EB	LT LANE	8	12	10.7	10.7	1.2
2.89	EB	RT LANE	20	12	26.7	26.7	3.0
2.90	EB	LTL JOINT	280	4	124.4	124.4	13.9
3.00	EB	RT LANE	6	12	8.0	8.0	0.9
3.10	EB	RT LANE	300	12	400.0	400.0	44.8
3.15	EB	RT LANE	50	12	66.7	66.7	7.5
3.15	EB	LT LANE	20	12	26.7	26.7	3.0
3.50	EB	RT LANE	6	6	4.0	4.0	0.4
3.67	EB	LT LANE	6	12	8.0	8.0	0.9
3.67	EB	RT LANE	200	2	44.4	44.4	5.0
3.71	EB	LT LANE	6	12	8.0	8.0	0.9
3.92	EB	RT LANE	15	12	20.0	20.0	2.2
4.02	EB	PL	6	12	8.0	8.0	0.9
4.02	EB	DL	6	12	8.0	8.0	0.9
4.15	EB	RT LANE	6	12	8.0	8.0	0.9
4.17	EB	RT LANE	6	12	8.0	8.0	0.9
TOTALS					7062.0	790.9	

FILE NAME = *FILEL*	USER NAME = *USER*	DESIGNED - ___	REVISED - ___	<b>STATE OF ILLINOIS DEPARTMENT OF TRANSPORTATION</b>	<b>SCHEDULE OF QUANTITIES</b>			F.A.P. RTE.	SECTION	COUNTY	TOTAL SHEETS	SHEET NO.
	PLOT SCALE = *SCALE*	DRAWN - ___	REVISED - ___		SCALE: _____	SHEET NO. ___ OF ___ SHEETS	STA. _____ TO STA. _____	785	(132-2,3,4, 133-1)RS	MADISON	122	33
	PLOT DATE = *DATE*	CHECKED - ___	REVISED - ___					CONTRACT NO. 76B80				
								FED. ROAD DIST. NO. ILLINOIS FED. AID PROJECT				

HMA SURFACE REMOVAL - BUTT JOINT

LOCATION	HMA SURFACE REM. (BUTT JOINT) (SQ YD)
START PROJECT	266.7
PARK AVE.	55.6
WORDEN AVE. LT	44.4
WORDEN AVE. RT	44.4
KENDALL AVE.	62.5
JACKSON ST.	62.5
RODGERS AVE. NORTH	1032
RODGERS AVE. SOUTH	554
HOMER ADAMS PARKWAY ON RAMP SB	343.3
HOMER ADAMS PARKWAY OFF RAMP SB	925
HOMER ADAMS PARKWAY ON RAMP NB	560
HOMER ADAMS PARKWAY OFF RAMP NB	697
CREST DR.	58.3
AUBLIN AVE.	50
SN 060-0199 (WEST SIDE)	467
SN 060-0199 (EAST SIDE)	467
SN 060-0091 (WEST SIDE)	511
SN 060-0091 (EAST SIDE)	511
FOSTERBURG ROAD	1350
QUARRY ENTRANCE	1191
ALTON MENTAL HEALTH ENT.	100
PARK ROAD (NORTH)	388
GORDON MOORE PARK ENTRANCE	870
POWDER MILL ROAD	269
STANLEY ROAD (SOUTH)	1360
SN 060-0190 (BOTH SIDES)	512
SN 060-0187 (BOTH SIDES)	512
WOODRIVER AVE. (NORTH SIDE)	78
THELMA AVE.	572
FRANKLIN ST.	988
CIRCLE DRIVE (WEST)	69.4
CIRCLE DRIVE (EAST)	86.1
NEUABER ST.	83.3
PROSPECT ST.	69.4
HARVEL CT.	79.2
LENORA ST.	72.2
COTTAGE HILLS ST.	69.4
RAY ST.	68.1
WILLIAMS ST. (NORTH)	69.4
WILLIAMS ST. (SOUTH)	69.4
TOTAL	15,637.6

AGGREGATE SURFACE COURSE, TYPE B

LOCATION	AGGREGATE SURF. COURSE, TYPE B (TON)
East of Neuanber St. Right side	7.5
WEST OF HARVEL CT. LET SIDE	1.2
TOTAL	8.7

COMBINATION CURB AND GUTTER REMOVAL

LOCATION/DESCRIPTION	COMBO C&G REMOVAL (FT)
EVERGREEN AVE. TO JACKSON ST. (MEDIAN)	425
EAST OF JACKSON ST. (MEDIAN)	225
EAST OF RR STRUCTURE (SN 060-0203)(MEDIAN)	500
BETWEEN RODGERS ST. AND HMA RAMPS (MEDIAN)	400
BETWEEN HMA RAMPS AND FOSTERBURG ROAD (MEDIAN)	1800
BETWEEN FOSTERBURG ROAD AND GRASS MED. (MEDIAN)	650
AT POWDER MILL ROAD INTERSECTION (MEDIAN)	120
AT STANLEY ROAD INTERSECTION (MEDIAN)	125
WOODRIVER CREEK TO THELMA/FRANKLIN (MEDIAN)	425
THELMA TO WILLIAMS STREET (3R) (MEDIAN)	5311
TOTAL	9,981

HMA INCIDENTAL

LOCATION	AREA (SQ YD)	HMA INCIDENTAL (TONS)
PE LT	10.0	1.1
PE LT	8.0	0.9
PE RT	9.2	1
PARK AVE.	55.6	6.2
PE LT	7.6	0.8
WORDEN AVE. LT	44.4	5
WORDEN AVE. RT	44.4	5
PE LT	14.7	1.6
PE LT	9.2	1
PE LT	45.3	5.1
KENDALL AVE.	62.5	7.0
JACKSON ST.	62.5	7.0
RODGERS AVE. NORTH	1032	115.6
RODGERS AVE. SOUTH	554	62.0
HOMER ADAMS PARKWAY ON RAMP SB	343.3	38.4
HOMER ADAMS PARKWAY OFF RAMP SB	925	103.6
HOMER ADAMS PARKWAY ON RAMP NB	560	62.7
HOMER ADAMS PARKWAY OFF RAMP NB	697	78.1
CREST DR.	58.3	6.5
AUBLIN AVE.	50	5.6
CE LT	33.3	3.7
CE LT	36.7	4.1
FOSTERBURG ROAD	1350	151.2
QUARRY ENTRANCE	1191	133.4
MEDIAN CROSSOVER	416.7	46.7
ALTON MENTAL HEALTH ENT.	100	11.2
MEDIAN CROSSOVER	525	58.8
MEDIAN CROSSOVER	425	47.6
PARK ROAD (NORTH)	388	43.5
GORDON MOORE PARK ENTRANCE	870	97.4
MEDIAN CROSSOVER	415	46.5
MEDIAN CROSSOVER	420	47.0
POWDER MILL ROAD	105	11.8
MEDIAN CROSSOVER	415	46.5
STANLEY ROAD (SOUTH)	1360	152.3
CE LT	35.2	3.9
CE RT	55.0	6.2
MEDIAN CROSSOVER	450.0	50.4
CE RT	40.0	4.48
WOODRIVER AVE. (NORTH SIDE)	78.0	8.7
CE RT	50	5.6
CE RT	8.7	1.0

SCHEDULE CON'T

HMA INCIDENTAL (CONTINUED)

LOCATION	AREA (SQ YD)	HMA INCIDENTAL (TONS)
CE RT	8.8	1.0
CE RT	40	4.5
CE RT	40	4.5
CE LT	40	4.5
CE RT	30	3.4
THELMA AVE.	572	64.1
FRANKLIN ST.	988	110.7
CE LT	33.3	3.7
CE LT	33.3	3.7
CE LT	8.1	0.9
CE RT	40.1	4.5
CE RT	39.8	4.5
CE RT	35.6	4.0
CE RT	35.6	4
CIRCLE DRIVE (WEST)	69.4	7.8
CE LT	36.7	4.1
CE RT	20	2.2
CE LT	30	3.4
CE RT	30	3.4
CE LT	28.2	3.2
CE LT	32.2	3.6
CE LT	31.2	3.5
CE LT	26.6	3.0
CE RT	9.3	1.1
CE RT	18.7	2.1
CE RT	18.7	2.1
CE RT	18.7	2.1
CE RT	14.6	1.6
CIRCLE DRIVE (EAST)	86.1	9.6
CE LT	40	4.5
CE LT	45	5.0
NEUABER ST.	83.3	9.3
CE LT	30	3.4
CE LT	31.2	3.5
CE LT	28	3.1
CE LT	24	2.7
CE LT	24	2.7
CE RT	25	2.8
CE RT	28	3.1
CE RT	28	3.1
CE RT	28	3.1
PROSPECT ST.	69.4	7.8
CE RT	23.3	2.6
CE RT	30	3.4
CE RT	30	3.4
CE RT	30	3.4

SCHEDULE CON'T

FILE NAME =	USER NAME = #USER#	DESIGNED -	REVISED -	<b>STATE OF ILLINOIS DEPARTMENT OF TRANSPORTATION</b>	<b>SCHEDULE OF QUANTITIES</b>	F.A.P. RTE.	SECTION	COUNTY	TOTAL SHEETS	SHEET NO.	
#FILEL#		DRAWN -	REVISED -			785	(132-2,3,4, 133-1)RS	MADISON	122	35	
PLOT SCALE = #SCALE#		CHECKED -	REVISED -			CONTRACT NO. 76B80					
PLOT DATE = #DATE#		DATE -	REVISED -			FED. ROAD DIST. NO. - ILLINOIS FED. AID PROJECT					
				SCALE: _____ SHEET NO. ___ OF ___ SHEETS STA. _____ TO STA. _____							

HMA INCIDENTAL (CONTINUED)

LOCATION	AREA (SQ YD)	HMA INCIDENTAL (TONS)
CE RT	30	3.4
CE LT	30	3.4
CE LT	48.2	5.4
CE LT	30	3.4
CE LT	30	3.4
HARVEL CT.	79.2	8.9
CE LT	45	5.1
CE LT	30	3.4
CE LT	30	3.4
CE LT	30	3.4
CE LT	30	3.4
CE RT	30	3.4
CE RT	30	3.4
CE RT	30	3.4
CE RT	30	3.4
CE RT	45	5.1
LENORA ST.	72.2	8.1
COTTAGE HILLS ST.	69.4	7.8
PE LT	5.8	0.6
PE LT	6.0	0.7
RAY ST.	68.1	7.6
PE LT	30.0	3.4
PE LT	50.0	5.6
PE LT	30.0	3.4
PE LT	32.0	3.6
PE RT	6.0	0.7
PE RT	30.0	3.4
PE RT	30.0	3.4
PE RT	30.0	3.4
WILLIAMS ST. (NORTH)	69.4	7.8
WILLIAMS ST. (SOUTH)	69.4	7.8

TOTAL 1966.5

MEDIAN REMOVAL

LOCATION/DESCRIPTION	MEDIAN REMOVAL (SQ FT)
HMA MEDIAN BETWEEN EVERGREEN AND PARK AVE.S	2600
SURFACE MEDIAN BETWEEN JACKSON ST. AND RODGERS	4800
SURFACE MEDIAN EAST OF RODGERS ST.	3200
SURF. MED. BETWEEN HMA RAMPS AND CREST DR.	800
SURF. MED WEST OF FOSTERBURG ROAD	650
SURF. MED EAST OF FOSTERBURG ROAD	2500
SURFACE MEDIAN EAST OF POWDER MILL ROAD	850
CORRAGATED CONC. MEDIAN WEST OF STANLEY ROAD	1450
SURF. MED. EAST OF WOODRIVER AVE.	3800
MED. SURF. FROM THELMA AVE. TO WILLIAMS ST.	31300

TOTAL 51,950

CONCRETE MEDIAN SURFACE, 4 INCH

LOCATION/DESCRIPTION	CONC. MEDIAN SURFACE, 4 INCH (SQ FT)
SURFACE MEDIAN BETWEEN JACKSON ST. AND RODGERS	4800
SURFACE MEDIAN EAST OF RODGERS ST.	3200
SURF. MED. BETWEEN HMA RAMPS AND CREST DR.	800
SURF. MED WEST OF FOSTERBURG ROAD	650
SURF. MED EAST OF FOSTERBURG ROAD	2500
SURFACE MEDIAN EAST OF POWDER MILL ROAD	850
SURF. MED. EAST OF WOODRIVER AVE.	3800

TOTAL 16,600



COMBINATION CONCRETE CURB AND GUTTER, TYPE M6.24

LOCATION/DESCRIPTION	CCC&G TYPE M6.24 (FT)
EVERGREEN AVE. TO JACKSON ST. (MEDIAN)	425
EAST OF JACKSON ST. (MEDIAN)	225
EAST OF RR STRUCTURE (SN 060-0203)(MEDIAN)	500
BETWEEN FOSTERBURG ROAD AND GRASS MED. (MEDIAN)	650
AT POWDER MILL ROAD INTERSECTION (MEDIAN)	120
AT STANLEY ROAD INTERSECTION (MEDIAN)	125
WOODRIVER CREEK TO THELMA/FRANKLIN (MEDIAN)	425
TOTAL	2,470

PORTLAND CEMENT CONCRETE 10 INCH

LOCATION/DESCRIPTION	PCC PAVEMENT 10 IN (SQ YD)	PAVEMENT FABRIC (SQ YD)
AT POWDER MILL ROAD	510	510
AT STANLEY ROAD	845	845
TOTAL	1355	1355

COMBINATION CONCRETE CURB AND GUTTER, TYPE B-9.24

LOCATION/DESCRIPTION	COMBO C&G TYPE B-9.24 (FT)
BETWEEN RODGERS ST. AND HMA RAMPS (MEDIAN)	400
BETWEEN HMA RAMPS AND FOSTERBURG ROAD (MEDIAN)	1800
TOTAL	2,200

FILE NAME = #FILEL#	USER NAME = #USER#	DESIGNED - ---	REVISED - ---	<b>STATE OF ILLINOIS DEPARTMENT OF TRANSPORTATION</b>	<b>SCHEDULE OF QUANTITIES</b>	F.A.P. RTE.	SECTION	COUNTY	TOTAL SHEETS	SHEET NO.
	PLOT SCALE = #SCALE#	DRAWN - ---	REVISED - ---			785	(132-2,3,4, 133-1)RS	MADISON	122	37
	PLOT DATE = #DATE#	CHECKED - ---	REVISED - ---			CONTRACT NO. 76B80				
		DATE - -----	REVISED - ---			FED. ROAD DIST. NO. ILLINOIS FED. AID PROJECT				
					SCALE: -----	SHEET NO. ___ OF ___ SHEETS		STA. ----- TO STA. -----		

PCC PAVEMENT 10" (JOINTED)

LOCATION/DESCRIPTION	PCC PAVEMENT 10 IN (SQ YD)	TIE BARS (EACH)
IL 140/111 @ FOSTERBURG ROAD	3,200	
STA. 468+50 TO STA. 499+72	6,244	3,215
TOTAL	9,444	3,215

AGGREGATE BASE COURSE, TYPE B, 4"

LOCATION/DESCRIPTION	AGG. BASE COURSE, TYPE B, 4" (SQ YD)
IL 140 @ FOSTERBURG ROAD INTERSECTION	3200
POWDER MILL ROAD	510
STANLEY ROAD	845
IL 140 STA. 468+75 TO STA. 499+80	6244
TOTAL	10,799

PROTECTIVE COAT

LOCATION/DESCRIPTION	PROTECTIVE COAT (SQ YD)
IL 140/111 @ FOSTERBURG ROAD (PPC PAVT)	3200
POWDER MILL ROAD (PPC PAVT)	510
STANLEY ROAD (PCC PAVT)	845
JACKSON ST TO RODGERS (MEDIAN)	533.3
EAST OF RODGERS ST. (MEDIAN)	355.6
BETWEEN HAP RAMPS AND CREST DR. (MEDIAN)	88.9
WEST OF FOSTERBURG ROAD (MEDIAN)	72.2
EAST OF FOSTERBURG ROAD (MEDIAN)	277.8
EAST OF POWDER MILL ROAD (MEDIAN)	94.4
EAST OF WOODRIVER AVE. (MEDIAN)	422.2
EVERGREEN TO JACKSON ST. (M6.24)	132.2
EAST OF JACKSON ST. (M6.24)	70
EAST PF RR STRUCTURE SN 060-0203 (M6.24)	155.6
BETWEEN FOSTERBURG RD AND GRASS MED (M6.24)	202.2
POWDER MILL ROAD INTERSECTION (M6.24)	37.3
STANLEY ROAD INTERSECTION (M6.24)	38.9
WOODRIVER CREEK TO THELMA/FRANKLIN (M6.24)	132.2
BETWEEN RODGERS AND HAP RAMPS (B9.24)	142.2
BETWEEN HAP RAMPS AND FOSTERBURG ROAD (B9.24)	640
TOTAL	7,950.0

PAVEMENT REMOVAL

LOCATION/DESCRIPTION	PAVEMENT REMOVAL (SQ YD)
IL 140/111 @ FOSTERBURG ROAD	6400
POWDER MILL ROAD	500
STANLEY ROAD	7730
BI DIRECTIONAL FROM STA. 469+00 TO STA. 499+00	3025
TOTAL	17,655

## TEMPORARY RAMPS

### RAISED REFLECTIVE PAVEMENT MARKING REMOVAL

LOCATION/DESCRIPTION	RRPM REMOVAL (EACH)
START PROJECT TO RODGERS ST.	165
RODGERS ST. TO HOMER ADAMS WEST RAMPS	60
HOMER ADAMS WEST RAMPS TO FOSTERBURG RD.	112
FOSTERBURG ROAD TO PARK ROAD	140
PARK ROAD TO POWDER MILL ROAD	75
POWDER MILL RD TO STANLEY ROAD	70
STANLEY ROAD TO STA. 469+00	70
STA. 469+00 TO STA. 499+80	86
<b>TOTAL</b>	<b>778</b>

LOCATION/DESCRIPTION	TEMPORARY RAMPS (SQ YD)
START PROJECT	22.2
PARK AVE.	16.7
WORDEN AVE. (NORTH)	13.9
WORDEN AVE. (SOUTH)	13.9
KENDALL AVE. (NORHT)	14.8
JACKSON ST. (SOUTH)	14.8
RODGERS ST. (NORTH)	33.3
RODGERS ST. (SOUTH)	26.2
HOMER ADAMS RAMP (SB EXIT)	15.6
HOMER ADAMS RAMP (SB ENTRANCE)	15.6
HOMER ADAMS RAMP (NB EXIT)	16.6
HOMER ADAMS RAMP (NB ENTRANCE)	16.6
CREST DR.	14.4
AUBIN AVE.	17.5
WEST END SN 060-0199	50
EAST END SN 060-0199	50
WEST END SN 060-0091	48.6
EAST END SN 060-0091	48.6
FOSTERBURG ROAD	33.3
QUARRY ENT.	28.3
PARK ROAD (NORTH)	14.4
PARK ROAD (SOUTH)	17.8
POWDER MILL ROAD	23.3
STANLEY ROAD (NORTH)	24.3
STANLEY ROAD (SOUTH)	24.3
WOODRIVER AVE.	13.9
THELMA AVE.	22.2
FRANKLIN AVE.	33.2
CIRCLE DR (WEST)	12.2
CIRCLE DR (EAST)	12.3
NEUNABER ST.	14.2
PROSPECT ST.	14.3
HARVEL CT.	26.7
LENORA ST.	25.6
N. COTTAGE AVE	23.2
RAY ST.	20.1
N. WILLIAMS ST.	23.2
S. WILLIAMS ST.	22.5
END PROJECT	42.2
<b>TOTAL</b>	<b>920.8</b>

FILE NAME =	USER NAME = #USER#	DESIGNED -	REVISED -	<b>STATE OF ILLINOIS DEPARTMENT OF TRANSPORTATION</b>	<b>SCHEDULE OF QUANTITIES</b>	F.A.P. RTE.	SECTION	COUNTY	TOTAL SHEETS	SHEET NO.	
*FILEL*		DRAWN -	REVISED -			785	(132-2,3,4, 133-1)RS	MADISON	122	39	
	PLOT SCALE = #SCALE#	CHECKED -	REVISED -			<b>CONTRACT NO. 76B80</b>					
	PLOT DATE = #DATE#	DATE -	REVISED -			FED. ROAD DIST. NO. - ILLINOIS FED. AID PROJECT					
				SCALE: _____ SHEET NO. ___ OF ___ SHEETS STA. _____ TO STA. _____							

# PAVEMENT MARKING

LOCATION/DESCRIPTION	THERMOPLASTIC PAVEMENT MARKING							LETTERS & SYMBOLS  (SQ FT)
	4"			12"			24"	
	SOLID WHITE EDGE & LANE LINE	WHITE SKIP-DASH	SOLID YELLOW CENTER LINE	WHITE DIAGONALS & CENTER LINE	YELLOW DIAGONALS	STOP BARS	STOP BARS	
	(FT)	(FT)	(FT)	(FT)	(FT)	(FT)	(FT)	
START PROJECT TO WORDEN AVE.	1966	360	1256	305	250			84
WORDEN AVE. TO KENDALL AVE/JACKSON ST.	1180	340	640					62.4
KENDALL AVE/JACKSON ST TO RODGER ST.	3820	1400	3160				50	78
RODGERS SIDEROADS	100		250				60	57.2
RODGERS ST. TO HAP SOUTHBOUND RAMPS	2380	730	1800				98	109.2
SOUTHBOUND RAMPS TO HAP	125		125				125	31.2
SOUTHBOUND RAMPS TO NORTHBOUND RAMPS (HAP)	1750	390	625				105	124.8
NORTHBOUND RAMPS TO HAP	325		85		75		30	
NORTHBOUND RAMPS HAP TO SN 060-0199	1750	490	825		120			15.6
SN 060-0199 TO SN 060-0091	960	440	915		156			
SN 060-0091 TO FOSTERBURG ROAD	1950	650	1600					62.4
FOSTERBURG ROAD	85		140	325			30	
FOSTERBURG ROAD TO GRASS MEDIAN	3300	930	3200				48	31.2
START OF GRASS MEDIAN TO PARK ROAD INTERSECTION	6410	1440	6160					
PARK ROAD INTERSECTION	2190	440	1940				75	64.6
PARK ROAD INTERSECTION TO POWDER MILL ROAD INT.	3700	840	3700					
POWDER MILL ROAD INT.	4200	600	2700				72	93.6
POWDER MILL ROAD INT. TO STANLEY ROAD INT.	3100	700	3100					
STANLEY ROAD INT.	3700	600	2450	525				109.2
STANLEY ROAD INT TO SN 060-0190 & 060-0187	1450	320	1450					
SN 060-0190 & 060-0187 TO THELMA & FRANKLIN ST.	2250	520	2150					
THELMA/FRANKLIN ST. INTERSECTION.	1625	300	1120				124	62.4
3R IMPROVEMENT (STA. 469+00 TO STA. 500+00)	6200	3100	6200					499.2
SUBTOTAL	54,516.0	14590	45591	1155	601		817	1485
TOTAL		114,697.0			1756		817	1485

FILE NAME =	USER NAME = #USER#	DESIGNED -	REVISED -	<b>STATE OF ILLINOIS DEPARTMENT OF TRANSPORTATION</b>	<b>SCHEDULE OF QUANTITIES</b>			F.A.P. RTE.	SECTION	COUNTY	TOTAL SHEETS	SHEET NO.
#FILE#		DRAWN -	REVISED -		SCALE: _____	SHEET NO. ___ OF ___ SHEETS	STA. _____ TO STA. _____	785	(132-2,3,4, 133-1RS)	MADISON	122	40
		CHECKED -	REVISED -					CONTRACT NO. 76B80				
		DATE -	REVISED -					FED. ROAD DIST. NO. ILLINOIS FED. AID PROJECT				

RAISED REFLECTIVE PAVEMENT MARKERS

LOCATION/DESCRIPTION	RRPM	
	DOUBLE AMBER (EACH)	WHITE CRYSTAL (EACH)
START PROJECT TO WORDEN AVE.		25
WORDEN AVE. TO KENDALL AVE/JACKSON ST.		27
KENDALL AVE/JACKSON ST TO RODGER ST.		86
RODCERS ST. TO HAP SOUTHBOUND RAMPS		56
SOUTHBOUND RAMPS TO NORTHBOUND RAMPS (HAP)		26
NORTHBOUND RAMPS HAP TO SN 060-0199		34
SN 060-0199 TO SN 060-0091		24
SN 060-0091 TO FOSTERBURG ROAD		54
FOSTERBURG ROAD		8
FOSTERBURG ROAD TO GRASS MEDIAN		53
START OF GRASS MEDIAN TO PARK ROAD INTERSECTION		74
PARK ROAD INTERSECTION		32
PARK ROAD INTERSECTION TO POWDER MILL ROAD INT.		44
POWDER MILL ROAD INT.		44
POWDER MILL ROAD INT. TO STANLEY ROAD INT.		36
STANLEY ROAD INT.		40
STANLEY INT. TO SN 060-0190 & 060-0187		18
SN 060-0190 & 060-0187 TO THELMA & FRANKLIN ST.		28
THELMA/FRANKLIN ST. INTERSECTION.		24
3R IMPROVEMENT (STA. 469+00 TO STA. 500+00)	156	78
SUBTOTAL	156	811
TOTAL		967

PREFORMED PLASTIC AND GROOVING

LOCATION/DESCRIPTION	PREFORMED PLASTIC TYPE B, 4" (FT)	PREFORMED PLASTIC TYPE B, 24" (FT)	PREFORMED PLASTIC TYPE B, L & S (SQ FT)	GROOVING FOR RECESSED PM, 5" (FT)	GROOVING FOR RECESSED PM, 25" (FT)	GROOVING FOR RECESSED PM, L & S (SQ FT)
FOSTERBURG ROAD INTERSECTION	2160	72	62.4	2160	72	62.4
TOTAL	2160	72	62.4	2160	72	62.4

SHORT TERM PM AND WORK ZONE PM REMOVAL

LOCATION/DESCRIPTION	SHORT TERM PAVEMENT MARKING	WORKZONE P.M.
	(FT)	(SQ FT)
START PROJECT TO WORDEN AVE.	648	54
WORDEN AVE. TO KENDALL AVE/JACKSON ST.	600	50
KENDALL AVE/JACKSON ST TO RODGER ST.	1776	148
RODGERS SIDEROADS	96	8
RODGERS ST. TO HAP SOUTHBOUND RAMPS	1020	85
SOUTHBOUND RAMPS TO HAP	96	8
SOUTHBOUND RAMPS TO NORTHBOUND RAMPS (HAP)	672	56
NORTHBOUND RAMPS TO HAP	96	8
NORTHBOUND RAMPS HAP TO SN 060-0199	768	64
SN 060-0199 TO SN 060-0091	540	45
SN 060-0091 TO FOSTERBURG ROAD	780	65
FOSTERBURG ROAD	288	24
FOSTERBURG ROAD TO GRASS MEDIAN	1344	112
START OF GRASS MEDIAN TO PARK ROAD INTERSECTION	2340	195
PARK ROAD INTERSECTION	384	32
PARK ROAD INTERSECTION TO POWDER MILL ROAD INT.	624	52
POWDER MILL ROAD INT.	372	31
POWDER MILL ROAD INT. TO STANLEY ROAD INT.	432	36
STANLEY ROAD INT.	480	40
STANLEY INT. TO SN 060-0190 & 060-0187	204	17
SN 060-0190 & 060-0187 TO THELMA & FRANKLIN ST.	312	26
THELMA/FRANKLIN ST. INTERSECTION.	204	17
3R IMPROVEMENT (STA. 469+00 TO STA. 500+00)	1680	140
TOTAL	15756	1313

REMOVING AND FILLING MANHOLES

LOCATION/DESCRIPTION	REMOVING MANHOLES (EACH)	FILLING MANHOLES (EACH)
STA. 474+20.4 8.0 RT	1	1
STA. 474+82.4 8.2 RT	1	1
STA. 475+42.4 8.3 RT	1	1
STA. 475+97.6 8.4 RT	1	1
STA. 476+96.9 3.3 RT	1	1
STA. 476+98.2 8.2 RT	1	1
STA. 477+94.6 8.3 RT	1	1
STA. 479+53.2 8.1 RT	1	1
STA. 480+38.9 8.2 RT	1	1
STA. 481+24.2 8.3 RT	1	1
STA. 482+09.1 8.3 RT	1	1
STA. 483+00.1 8.3 RT	1	1
STA. 483+83.2 8.3 RT	1	1
STA. 484+64.6 8.3 RT	1	1
STA. 485+43.5 8.3 RT	1	1
STA. 486+22.1 7.8 RT	1	1
TOTAL	16	16

STORM SEWER REMOVAL 12"

LOCATION	STORM SEWER REMOVAL 12" (FT)
STA. 474+20 RT TO STA. 476+53 RT	233
STA. 479+53 RT TO STA. 485+44 RT	591
TOTAL	824

BI-DIRECTIONAL SIGNING

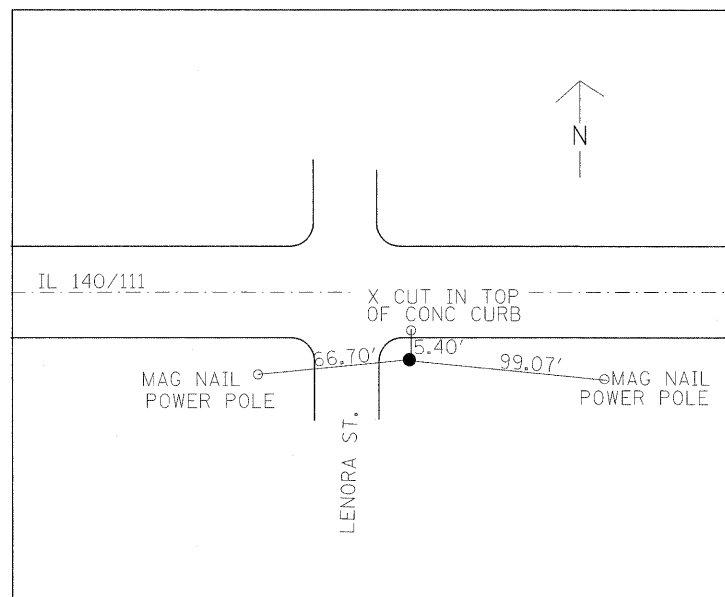
STATION (SIDE)	SIZE (SQ FT)	SIGN PANEL TYPE 1 (SQ FT)	WOOD SIGN SUPPORT (FT)	SIGN DESCRIPTION
STA. 469+00 (RT)	6	6	10	R3-9B
STA. 476+00 (RT)	6	6	10	R3-9B
STA. 480+50 (RT)	6	6	10	R3-9B
STA. 482+50 (LT)	6	6	10	R3-9B
STA. 488+50 (LT)	6	6	10	R3-9B
STA. 497+50 (LT)	6	6	10	R3-9B
TOTAL	36	36	60	

PAINT PAVEMENT MARKING 4"

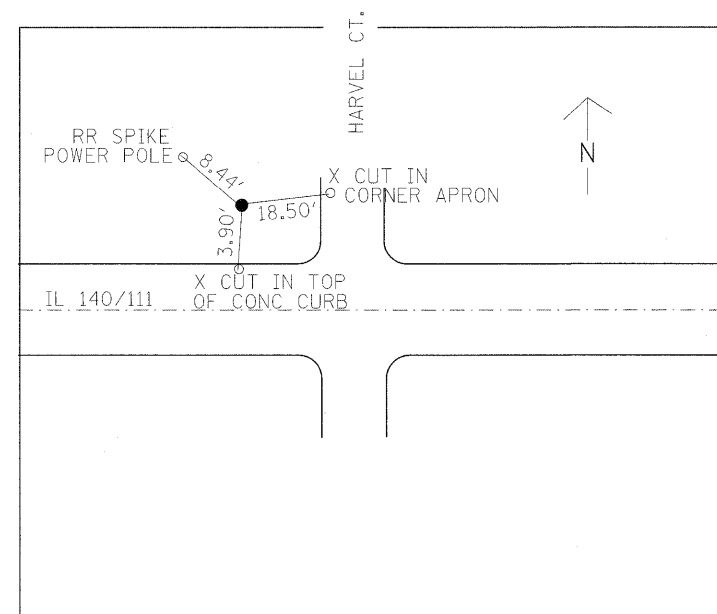
LOCATION	PAIN PM 4" (FT)
AT EVERGREEN	40
PARK AVE.	80
WORDEN AVE.	80
KENDALL AVE.	80
PROFESSIONAL DR.	80
WEST RAMPS FOR HOMER ADAMS PARK.	200
EAST RAMPS FOR HOMER ADAMS PARK.	200
CREST DR.	80
JUNKYARD ENT.	80
FOSTERBURG ROAD INTERSECTION	160
MEDIAN CROSSOVER	40
POWDER MILL ROAD	300
STANLEY ROAD INTERSECTION	160
WOODRIVER AVE.	80
FRANKLIN / THELMA AVE INTERSECTION	80
TOTAL	1,740

PRISMATIC CURB REFLECTORS

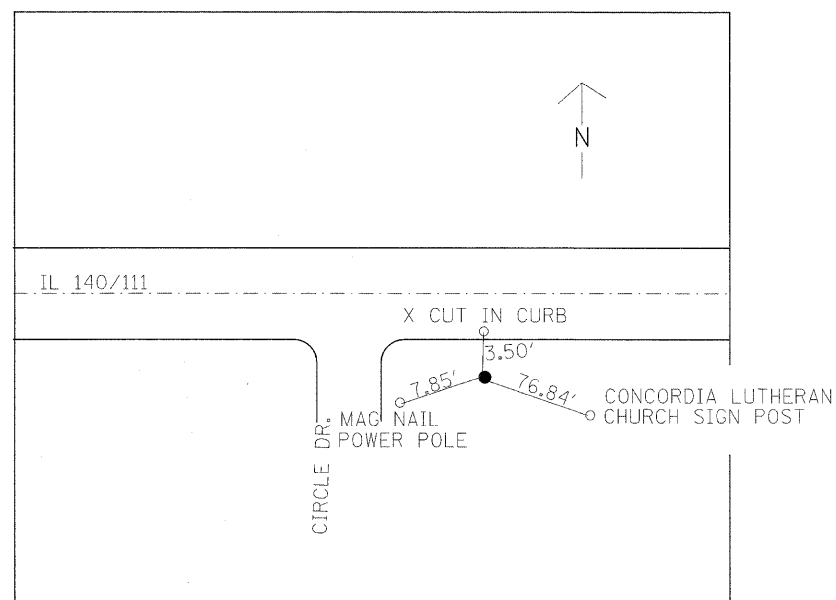
LOCATION	PRISMATIC CURB REFLECTOR	
	CRYSTAL (EACH)	AMBER (EACH)
EVERGREEN TO PARK AVE.		12
PARK AVE. TO WORDEN AVE.		20
WORDEN AVE. TO PROFESSIONAL DR.		56
PROFESSIONAL DR. TO WEST RAMP (HAP)	20	38
WEST RAMPS TO EAST RAMPS (HAP)		16
EAST RAMPS (HAP) TO CREST DR.	20	20
CREST DR. TO JUNKYARD ENT.		32
JUNKYARD ENT TO FOSTERBURG ROAD		48
FOSTERBURG ROAD TO GRASS MEDIAN	10	56
POWDER MILL ROAD INTERSECTION	20	
STANLEY ROAD INTERSECTION	30	20
WOODRIVER AVE. TO THELMA/FRANKLIN INT.	20	42
SUBTOTAL	120	360
TOTAL		480



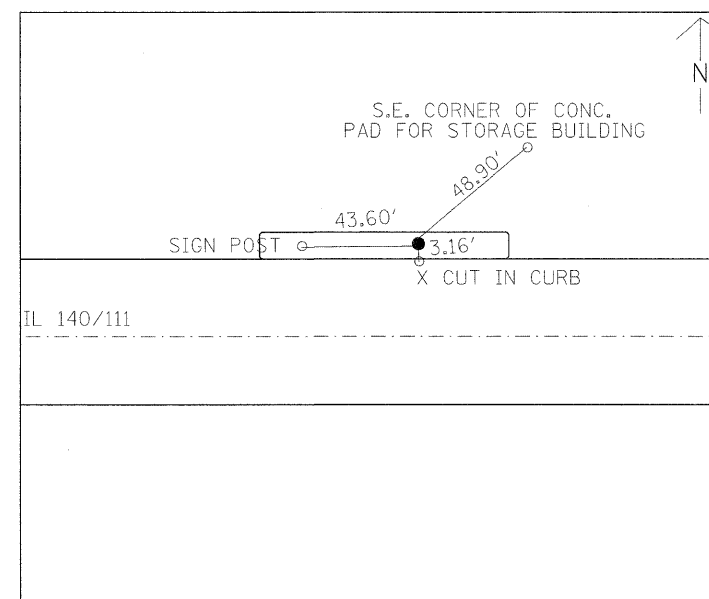
CONTROL PT 501  
REBAR WITH IDOT CAP  
STA. 493+46.82 41.81 RT  
N 814,392.7185  
E 324,180.6052



CONTROL PT 502  
REBAR WITH IDOT CAP  
STA. 487+74.06 39.19 LT  
N 814,526.4617  
E 323,617.8174



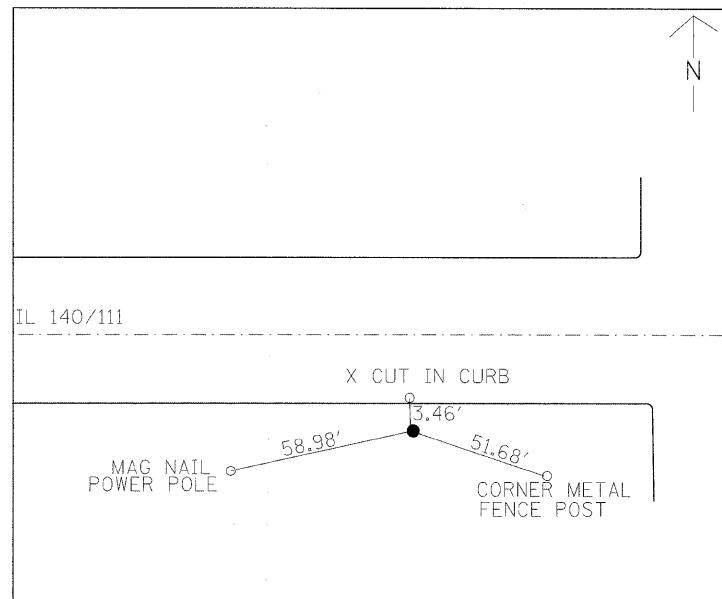
CONTROL PT 503  
REBAR WITH IDOT CAP  
STA. 477+95.89 39.27 RT  
N 814,641.8133  
E 322,645.0348



CONTROL PT 504  
REBAR WITH IDOT CAP  
STA. 471+94.98 38.62 LT  
N 814,941.84  
E 322,117.17

FILE NAME =	USER NAME = karlesal	DESIGNED -	REVISED -	<b>STATE OF ILLINOIS DEPARTMENT OF TRANSPORTATION</b>	<b>TIE POINTS AND BENCHMARKS</b>			F.A.P. RTE.	SECTION	COUNTY	TOTAL SHEETS	SHEET NO.
ct:\pwwork\pwwork\karlesal\0169744\087688-sht-plan.dgn		DRAWN -	REVISED -					785	(132-2,3,4, 133-1RS)	MADISON	122	44
PLOT SCALE = 50.0000' / IN.		CHECKED -	REVISED -		SCALE: _____ SHEET NO. _____ OF _____ SHEETS STA. _____ TO STA. _____			FED. ROAD DIST. NO. - ILLINOIS FED. AID PROJECT				
PLOT DATE = 2/4/2011		DATE -	REVISED -					CONTRACT NO. 76B80				





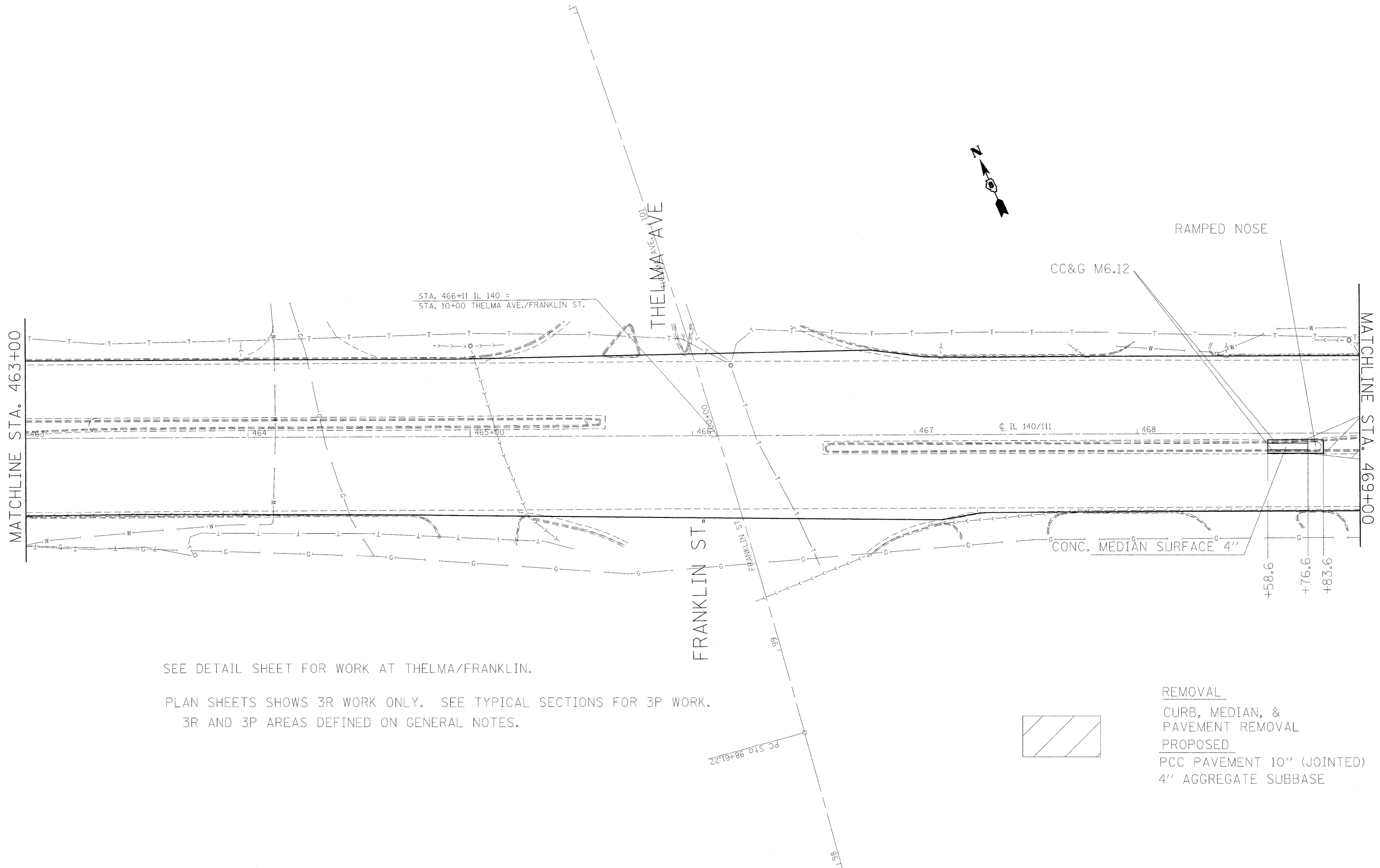
CONTROL PT 505  
 REBAR WITH IDOT CAP  
 STA. 464+26.99 38.77 RT  
 N 815,180.1354  
 E 321,383.0032

CH 202  
 CHISELED BOX ON NORTHMOST CORNER OF CONCRETE FOUNDATION  
 ON TRAFFIC CONTROL BOX #2000 LOCATED ON SW CORNER OF THE  
 INTERSECTION OF IL 140 & FRANKLIN AVE.

CH 203  
 RAILROAD SPIKE IN N. SIDE OF P.P. ON THE SOUTH SIDE OF  
 IL 140 NEAR THE N.W. CORNER OF ALTON PARTS SUPPLY & THE  
 N.E. CORNER OF CORCORDIA LUTHERAN CHURCH

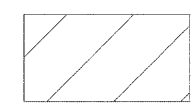
CH 204  
 RAILROAD SPIKE FOUND DRIVEN IN N. SIDE OF P.P. LOCATED  
 ON THE S.W. CORNER OF THE INTERSECTION OF IL 140 & WILLIAMS ST.

FILE NAME =	USER NAME = karlasal	DESIGNED - ---	REVISED - ---	<b>STATE OF ILLINOIS DEPARTMENT OF TRANSPORTATION</b>	<b>TIE POINTS AND BENCHMARKS</b>	F.A.P. RTE.	SECTION	COUNTY	TOTAL SHEETS	SHEET NO.	
c:\pw_work\pwwdot\karlasal\0169744\087680-sht-plan.dgn		DRAWN - ---	REVISED - ---			785	(132-2,3,4, 133-URS)	MADISON	122	45	
PLOT SCALE = 50,0000' / IN.		CHECKED - ---	REVISED - ---			CONTRACT NO. 76B80					
PLOT DATE = 2/4/2011		DATE - ---	REVISED - ---			SCALE: _____ SHEET NO. ___ OF ___ SHEETS STA. _____ TO STA. _____ FED. ROAD DIST. NO. _ ILLINOIS FED. AID PROJECT					



SEE DETAIL SHEET FOR WORK AT THELMA/FRANKLIN.

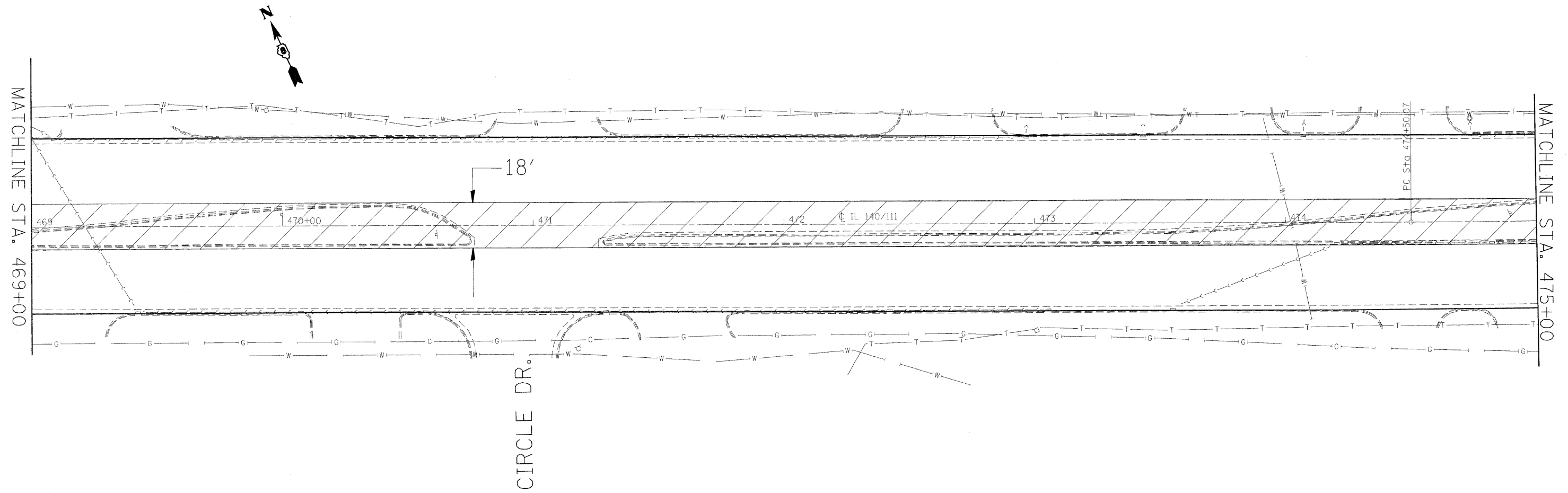
PLAN SHEETS SHOWS 3R WORK ONLY. SEE TYPICAL SECTIONS FOR 3P WORK.  
3R AND 3P AREAS DEFINED ON GENERAL NOTES.

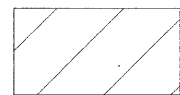


REMOVAL  
CURB, MEDIAN, &  
PAVEMENT REMOVAL  
PROPOSED  
PCC PAVEMENT 10" (JOINTED)  
4" AGGREGATE SUBBASE

FILE NAME =	USER NAME = #USER#	DESIGNED -	REVISED -	<b>STATE OF ILLINOIS DEPARTMENT OF TRANSPORTATION</b>	<b>PLAN SHEET</b>	F.A.P. RTE.	SECTION	COUNTY	TOTAL SHEETS	SHEET NO.	
#FILE#	PLOT SCALE = #SCALE#	DRAWN -	REVISED -			785	(132-2,3,4, 133-1RS)	MADISON	122	46	
PLOT DATE = #DATE#	DATE -	CHECKED -	REVISED -			CONTRACT NO. 76B80					
						SCALE: _____ SHEET NO. ___ OF ___ SHEETS		STA. _____ TO STA. _____		FED. ROAD DIST. NO. - ILLINOIS FED. AID PROJECT	

SEE DETAIL SHEET NO. 60 & 61 FOR SIDEROAD AND ENTRANCE TRANSITIONS.

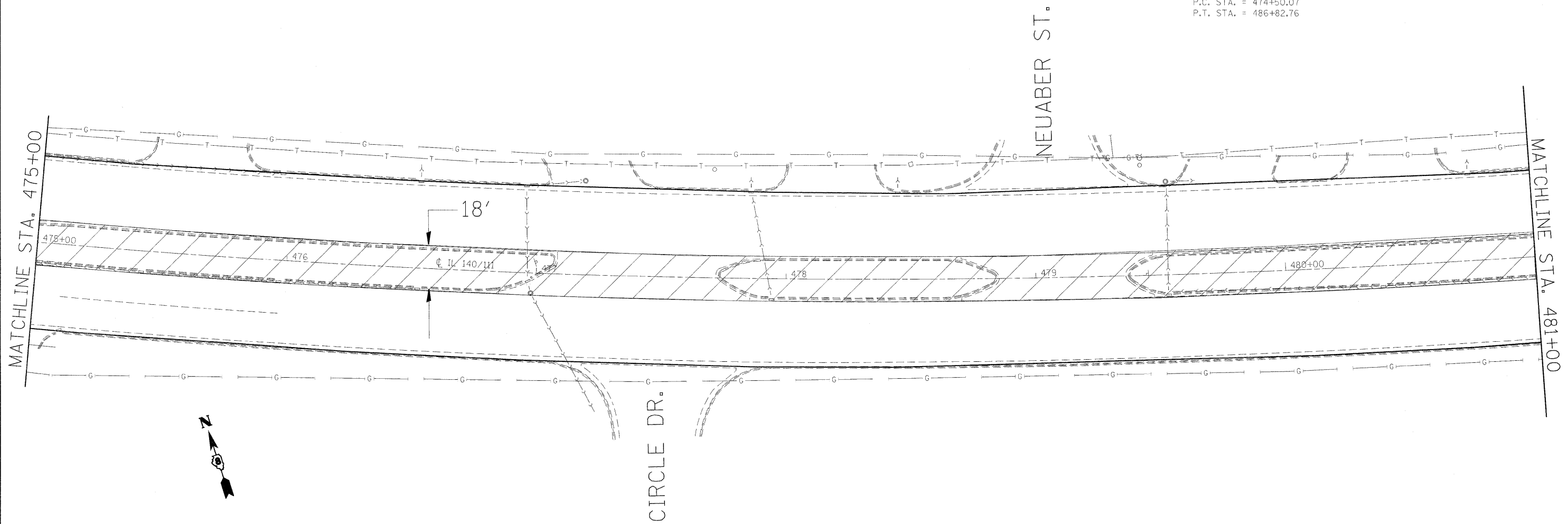


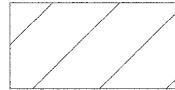

 REMOVAL  
 CURB, MEDIAN, &  
 PAVEMENT REMOVAL  
 PROPOSED  
 PCC PAVEMENT 10" (JOINTED)  
 4" AGGREGATE SUBBASE

FILE NAME =	USER NAME = #USER#	DESIGNED -	REVISED -	<b>STATE OF ILLINOIS DEPARTMENT OF TRANSPORTATION</b>	<b>PLAN SHEET</b>	F.A.P. RTE.	SECTION	COUNTY	TOTAL SHEETS	SHEET NO.	
#FILE#	PLOT SCALE = #SCALE#	DRAWN -	REVISED -			785	(132-2,3,4, 133-1)RS	MADISON	122	47	
	PLOT DATE = #DATE#	CHECKED -	REVISED -			<b>CONTRACT NO. 76B80</b>					
		DATE -	REVISED -			FED. ROAD DIST. NO. ILLINOIS FED. AID PROJECT					

SEE DETAIL SHEET NO. 60 & 61 FOR SIDEROAD AND ENTRANCE TRANSITIONS.

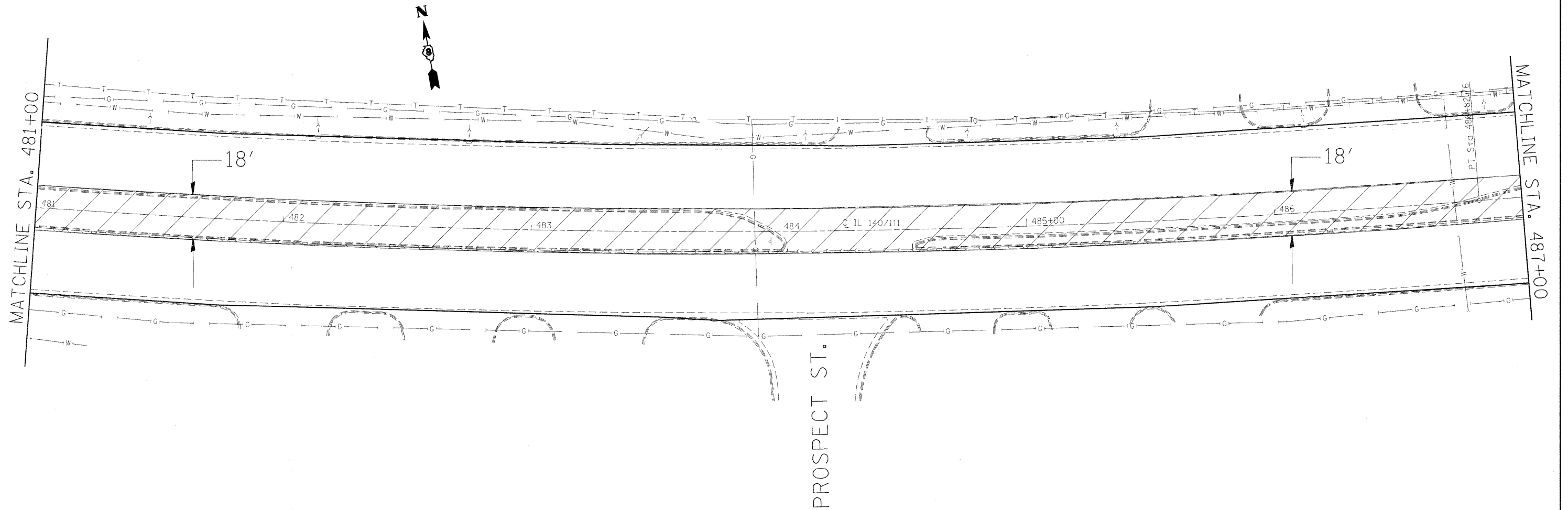
EXIST. CURVE C2  
 PI STA. = 480+71.78  
 $\Delta = 18^\circ 25' 07''$  (LT)  
 D =  $1^\circ 29' 39''$   
 R = 3,834.59'  
 T = 621.71'  
 L = 1,232.70'  
 E = 50.07'  
 e = -----  
 T.R. = -----  
 S.E. RUN = -----  
 P.C. STA. = 474+50.07  
 P.T. STA. = 486+82.76



REMOVAL  
 CURB, MEDIAN, &  
 PAVEMENT REMOVAL  
 PROPOSED  
 PCC PAVEMENT 10" (JOINTED)  
 4" AGGREGATE SUBBASE

FILE NAME =	USER NAME = #USER#	DESIGNED -	REVISED -	<b>STATE OF ILLINOIS DEPARTMENT OF TRANSPORTATION</b>	<b>PLAN SHEET</b>	F.A.P. RTE.	SECTION	COUNTY	TOTAL SHEETS	SHEET NO.	
#FILE#		DRAWN -	REVISED -			785	(132-2,3,4, 133-1RS)	MADISON	122	48	
PLOT SCALE = #SCALE#		CHECKED -	REVISED -			CONTRACT NO. 76B80					
PLOT DATE = #DATE#		DATE -	REVISED -			FED. ROAD DIST. NO. [ILLINOIS] FED. AID PROJECT					
					SCALE: _____	SHEET NO. ___ OF ___ SHEETS		STA. _____ TO STA. _____			

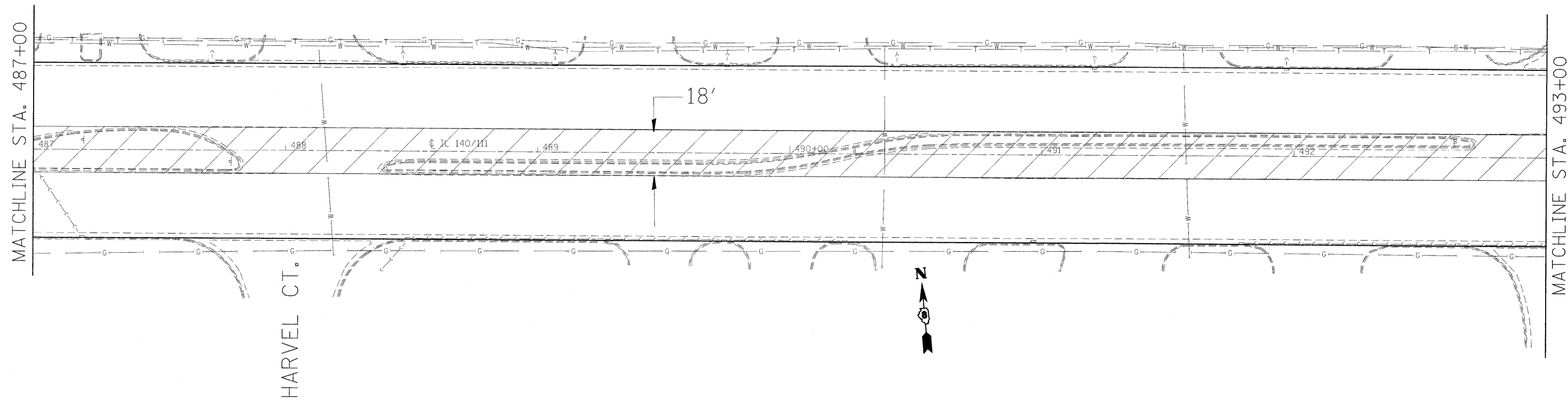
SEE DETAIL SHEET NO. 60 & 61 FOR SIDEROAD AND ENTRANCE TRANSITIONS.



REMOVAL  
 CURB, MEDIAN, &  
 PAVEMENT REMOVAL  
 PROPOSED  
 10" PCC BASE COURSE  
 4" AGGREGATE SUBBASE

FILE NAME =	USER NAME = #USER#	DESIGNED -	REVISED -	<b>STATE OF ILLINOIS DEPARTMENT OF TRANSPORTATION</b>	<b>PLAN SHEET</b>	F.A.P. RTE.	SECTION	COUNTY	TOTAL SHEETS	SHEET NO.	
#FILEL#	PLOT SCALE = #SCALE#	DRAWN -	REVISED -			785	(132-2,3,4, 133-1RS)	MADISON	122	49	
	PLOT DATE = #DATE#	CHECKED -	REVISED -			CONTRACT NO. 76B80					
		DATE -	REVISED -			FED. ROAD DIST. NO. - ILLINOIS FED. AID PROJECT					
				SCALE: _____ SHEET NO. ___ OF ___ SHEETS STA. _____ TO STA. _____							

SEE DETAIL SHEET NO. 60 & 61 FOR SIDEROAD AND ENTRANCE TRANSITIONS.



MATCHLINE STA. 487+00

MATCHLINE STA. 493+00

HARVEL CT.

18'

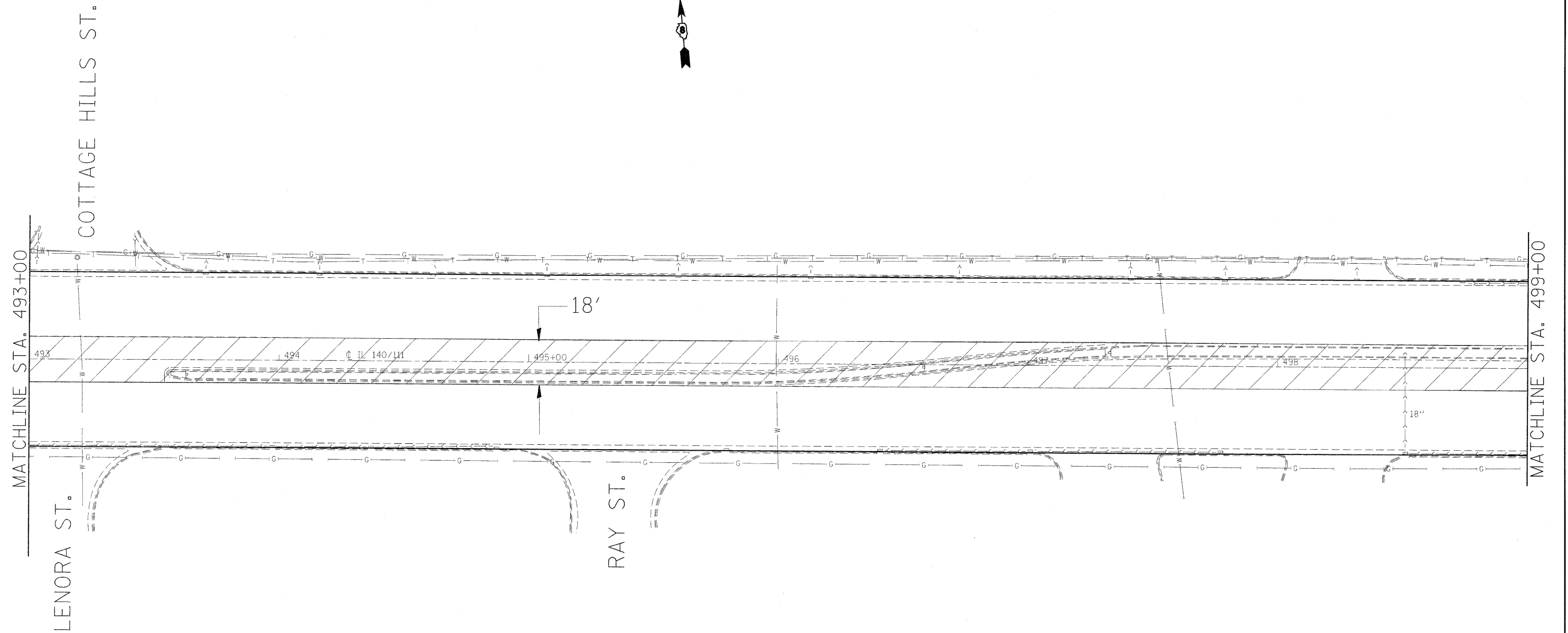
C L 140/111



REMOVAL  
CURB, MEDIAN, &  
PAVEMENT REMOVAL  
PROPOSED  
4" AGGREGATE SUBBASE

FILE NAME =	USER NAME = #USER#	DESIGNED -	REVISED -	<b>STATE OF ILLINOIS DEPARTMENT OF TRANSPORTATION</b>	<b>PLAN SHEET</b>	F.A.P. RTE.	SECTION	COUNTY	TOTAL SHEETS	SHEET NO.	
#FILE#		DRAWN -	REVISED -			785	(132-2,3,4, 133-1)RS	MADISON	122	50	
	PLOT SCALE = #SCALE#	CHECKED -	REVISED -			CONTRACT NO. 76B80					
	PLT DATE = #DATE#	DATE -	REVISED -			FED. ROAD DIST. NO. - ILLINOIS FED. AID PROJECT					
SCALE: _____ SHEET NO. ___ OF ___ SHEETS STA. _____ TO STA. _____											

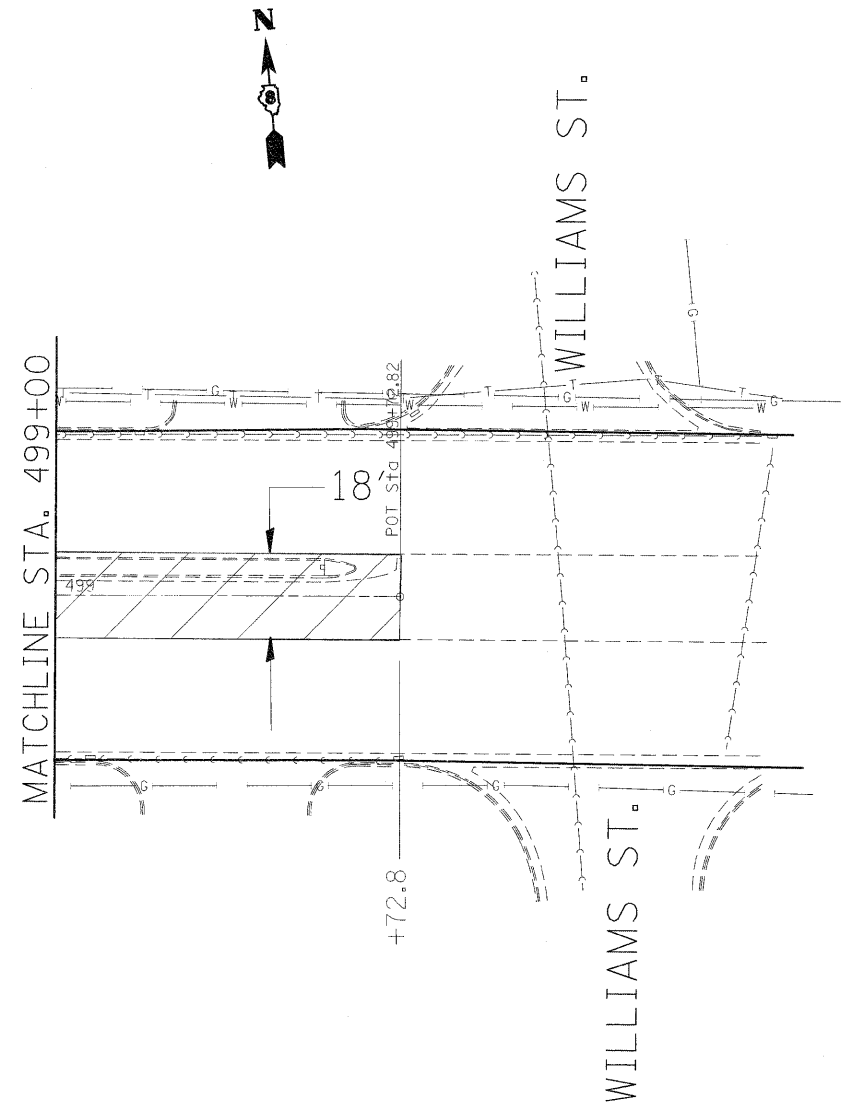
SEE DETAIL SHEET NO. 60 & 61 FOR SIDEROAD AND ENTRANCE TRANSITIONS.



REMOVAL  
 CURB, MEDIAN, &  
 PAVEMENT REMOVAL  
 PROPOSED  
 PCC PAVEMENT 10" (JOINTED)  
 4" AGGREGATE SUBBASE

FILE NAME =	USER NAME = #USER#	DESIGNED -	REVISED -	<b>STATE OF ILLINOIS DEPARTMENT OF TRANSPORTATION</b>	<b>PLAN SHEET</b>	F.A.P. RTE.	SECTION	COUNTY	TOTAL SHEETS	SHEET NO.	
#FILEL#		DRAWN -	REVISED -			785	(132-2,3,4, 133-1)RS	MADISON	122	51	
	PLOT SCALE = #SCALE#	CHECKED -	REVISED -			<b>CONTRACT NO. 76B80</b>					
	PLOT DATE = #DATE#	DATE -	REVISED -			FED. ROAD DIST. NO. ILLINOIS FED. AID PROJECT					

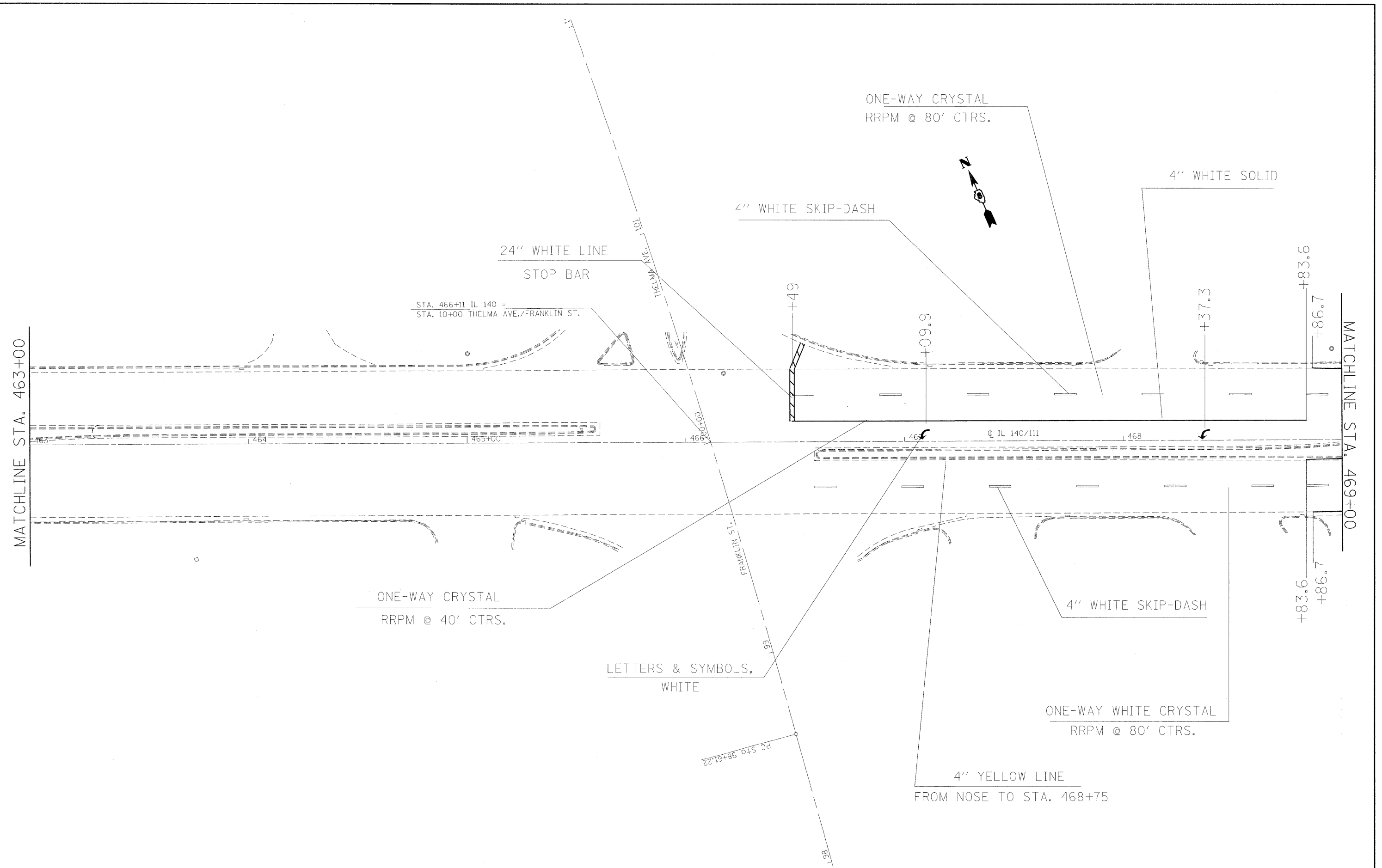
SEE DETAIL SHEET NO. 60 & 61 FOR SIDEROAD AND ENTRANCE TRANSITIONS.



REMOVAL  
 CURB, MEDIAN, &  
 PAVEMENT REMOVAL  
 PROPOSED  
 PCC PAVEMENT 10" (JOINTED)  
 4" AGGREGATE SUBBASE

FILE NAME = #FILE#	USER NAME = #USER#	DESIGNED - ___	REVISED - ___	<b>STATE OF ILLINOIS DEPARTMENT OF TRANSPORTATION</b>	<b>PLAN SHEET</b>	F.A.P. RTE. 785	SECTION (132-2,3,4, 133-1RS)	COUNTY MADISON	TOTAL SHEETS 122	SHEET NO. 52	
	PLOT SCALE = #SCALE#	CHECKED - ___	REVISED - ___			CONTRACT NO. 76B80		FED. ROAD DIST. NO. - [ILLINOIS] FED. AID PROJECT			
	PLUT DATE = #DATE#	DATE - _____	REVISED - ___			SCALE: _____ SHEET NO. ___ OF ___ SHEETS STA. _____ TO STA. _____					





FILE NAME =  
#FILE#

USER NAME = #USER#  
PLOT SCALE = #SCALE#  
PLOT DATE = #DATE#

DESIGNED - \_\_\_  
DRAWN - \_\_\_  
CHECKED - \_\_\_  
DATE - \_\_\_\_\_

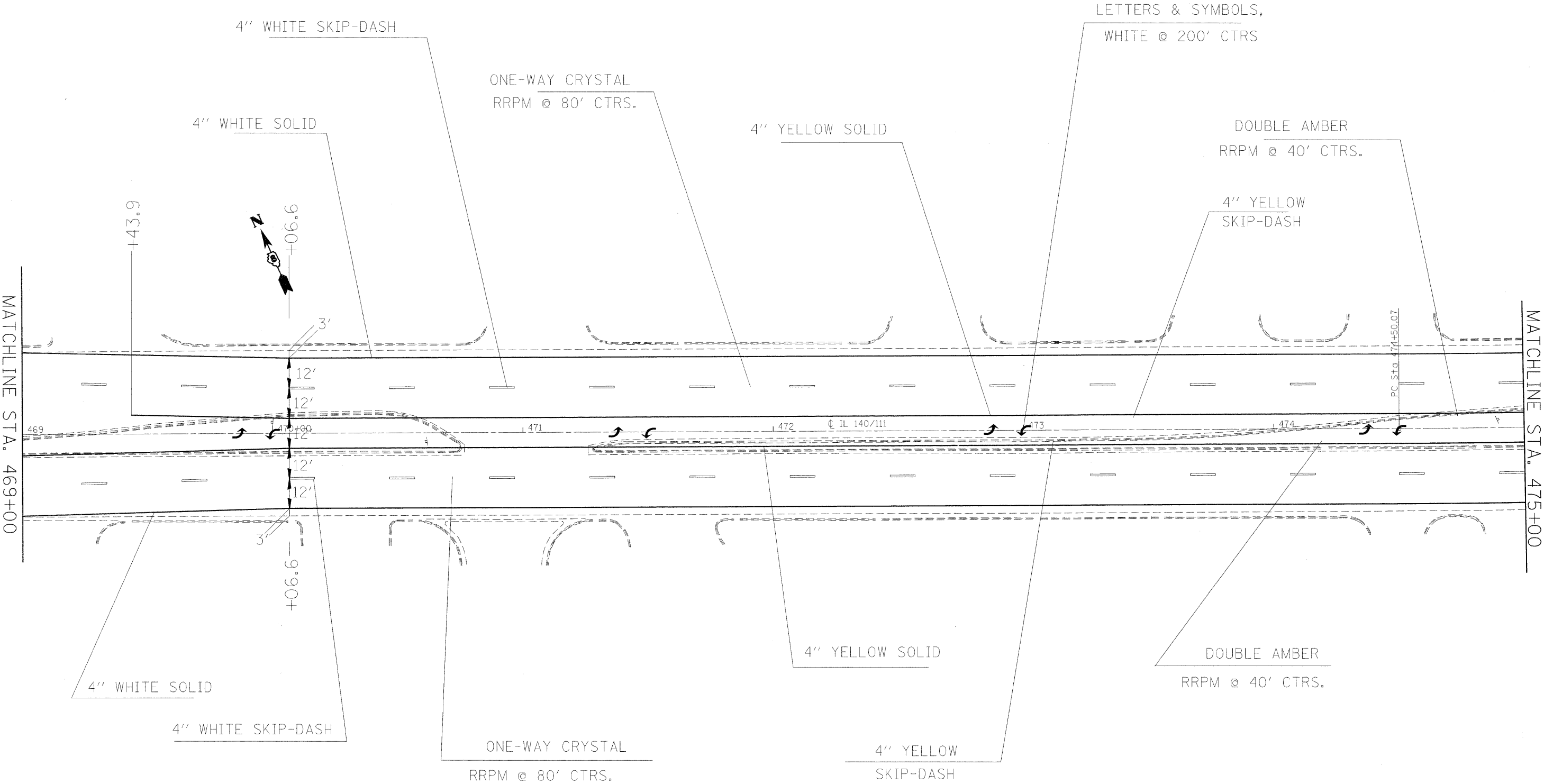
REVISED - \_\_\_  
REVISED - \_\_\_  
REVISED - \_\_\_  
REVISED - \_\_\_

**STATE OF ILLINOIS  
DEPARTMENT OF TRANSPORTATION**

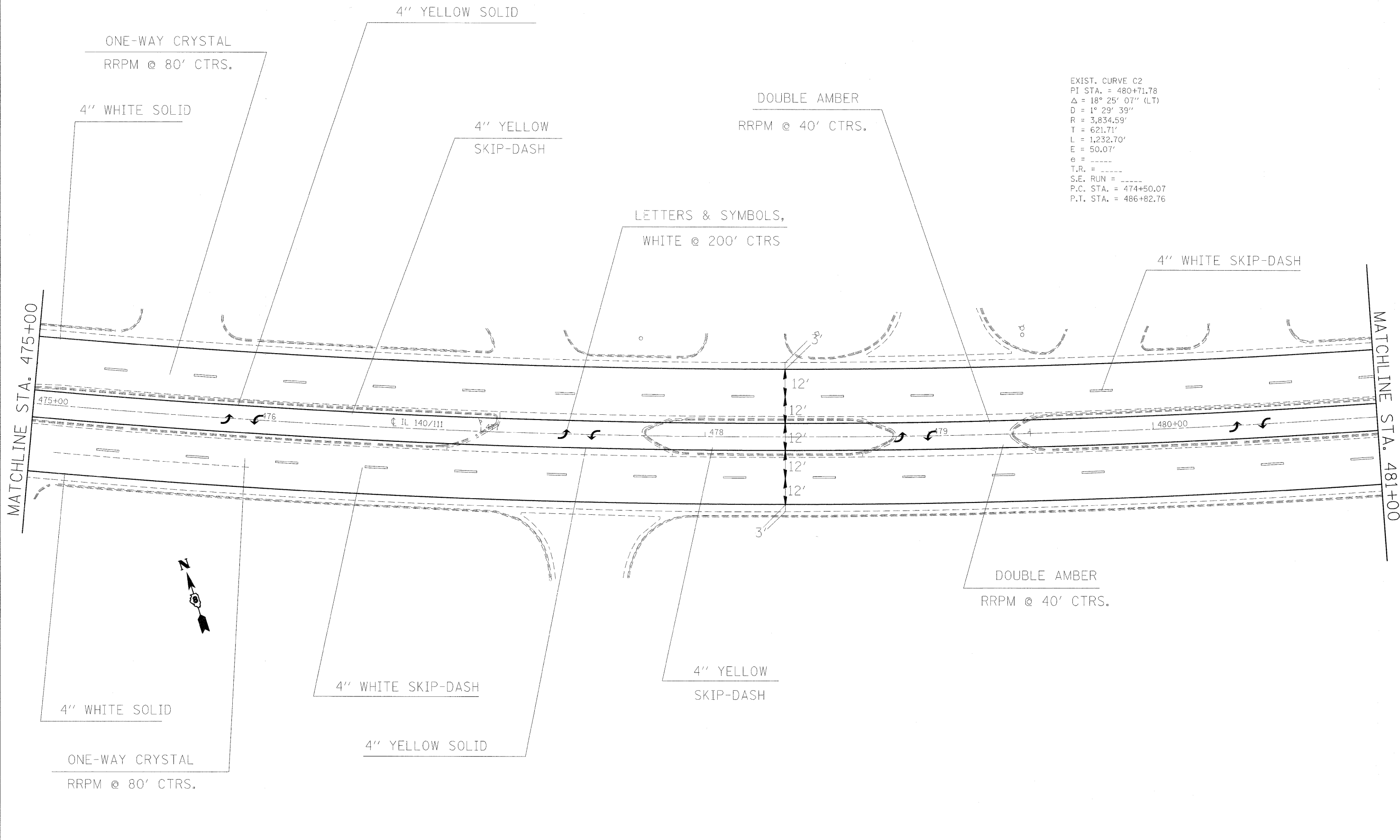
PAVEMENT MARKING

SCALE: \_\_\_\_\_ SHEET NO. \_\_\_ OF \_\_\_ SHEETS STA. \_\_\_\_\_ TO STA. \_\_\_\_\_

F.A.P. RTE.	SECTION	COUNTY	TOTAL SHEETS	SHEET NO.
785	(132-2,3,4, 133-1)RS	MADISON	122	53
CONTRACT NO. 76B80				
FED. ROAD DIST. NO. _ ILLINOIS FED. AID PROJECT				



FILE NAME =	USER NAME = #USER#	DESIGNED -	REVISED -	<b>STATE OF ILLINOIS DEPARTMENT OF TRANSPORTATION</b>	PAVEMENT MARKING	F.A.P. RTE.	SECTION	COUNTY	TOTAL SHEETS	SHEET NO.	
#FILE#		DRAWN -	REVISED -			785	(132-2,3,4, 133-1)RS	MADISON	122	54	
	PLOT SCALE = #SCALE#	CHECKED -	REVISED -			CONTRACT NO. 76B80					
	PLOT DATE = #DATE#	DATE	REVISED -			FED. ROAD DIST. NO. ILLINOIS FED. AID PROJECT					
				SCALE: _____ SHEET NO. ___ OF ___ SHEETS STA. _____ TO STA. _____							



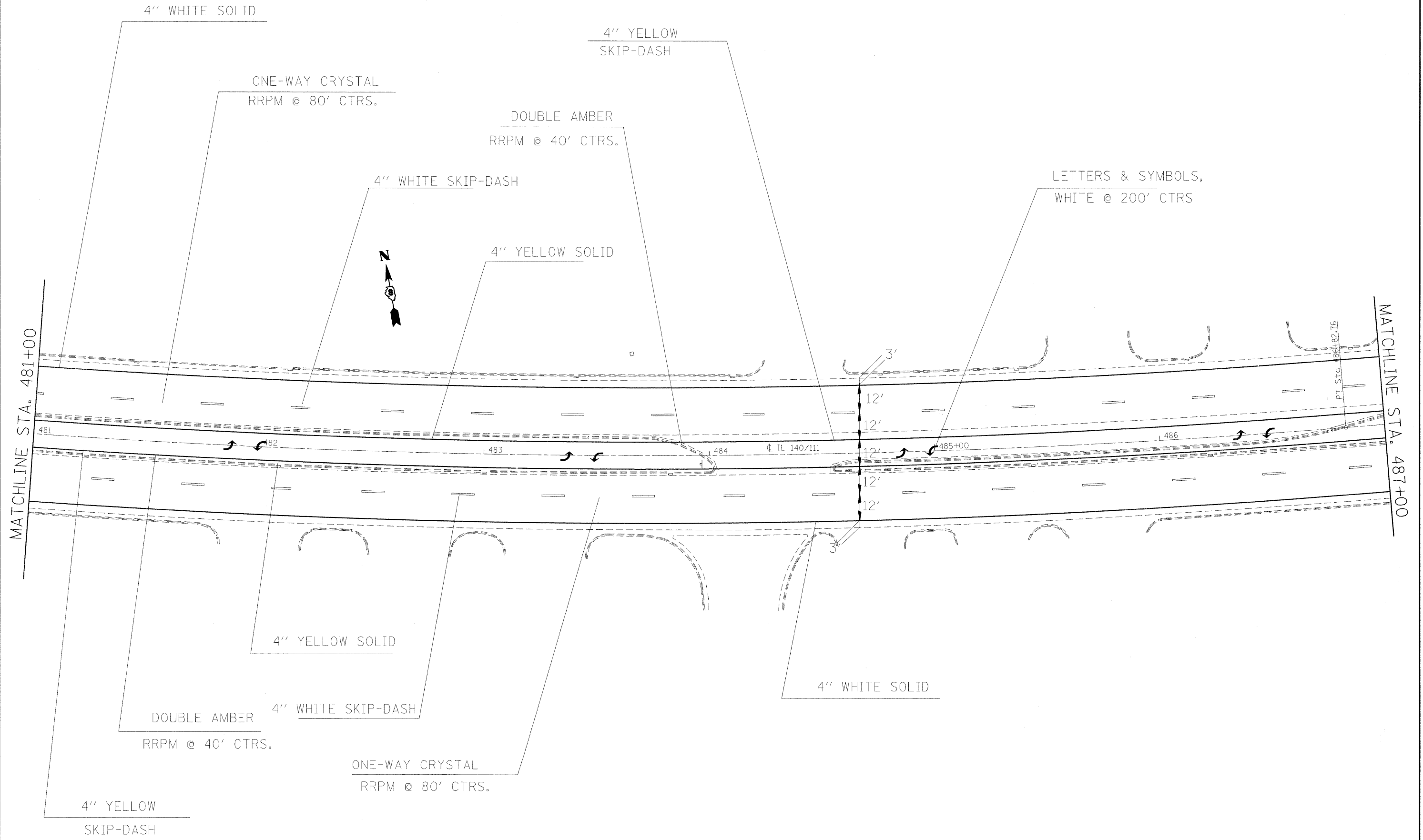
EXIST. CURVE C2  
 PI STA. = 480+71.78  
 $\Delta = 18^\circ 25' 07''$  (LT)  
 $D = 1^\circ 29' 39''$   
 $R = 3,834.59'$   
 $T = 621.71'$   
 $L = 1,232.70'$   
 $E = 50.07'$   
 $e =$  -----  
 $T.R. =$  -----  
 $S.E. RUN =$  -----  
 $P.C. STA. = 474+50.07$   
 $P.T. STA. = 486+82.76$

MATCHLINE STA. 475+00

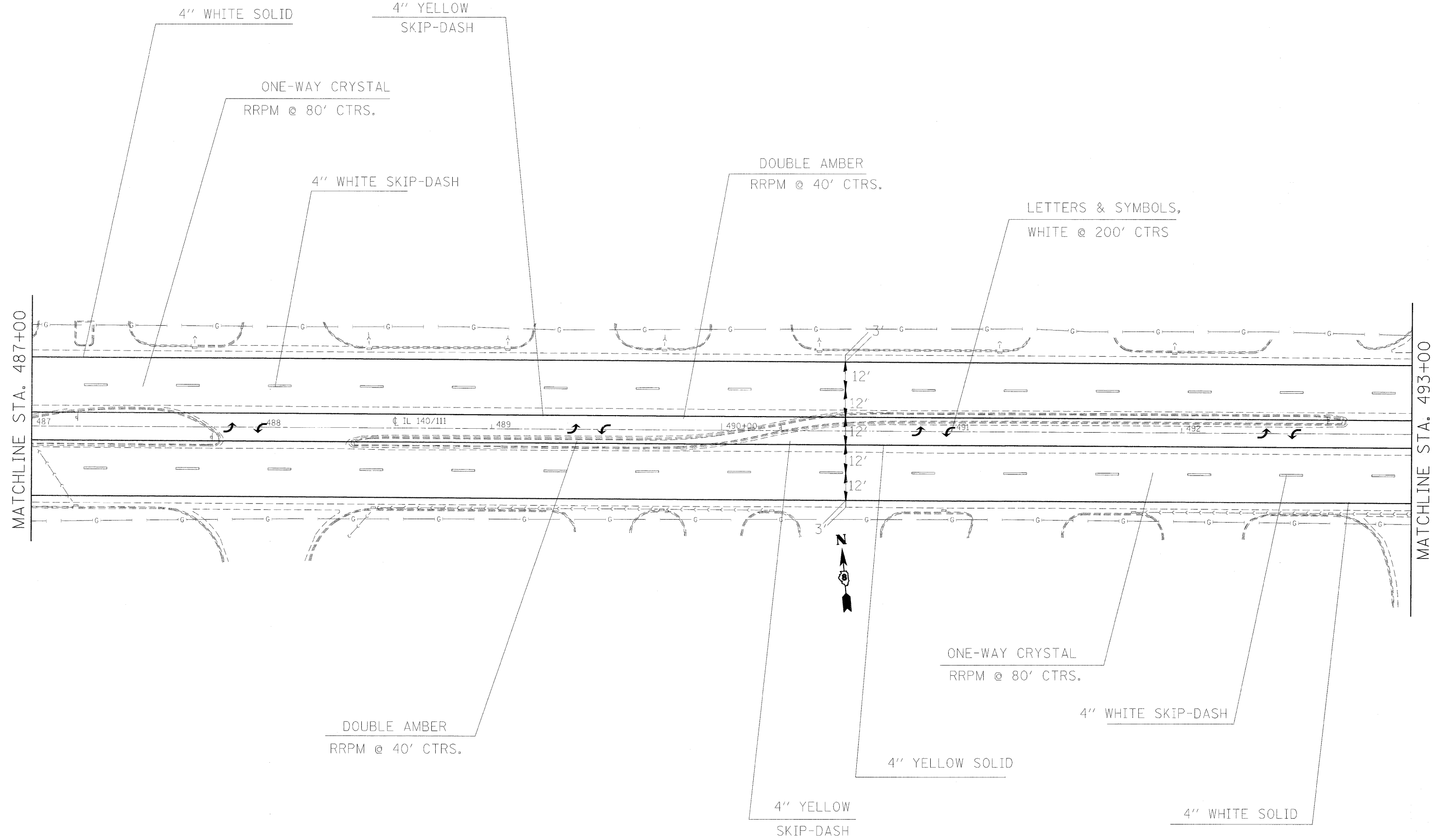
MATCHLINE STA. 481+00



FILE NAME = #FILE#	USER NAME = #USER#	DESIGNED -	REVISED -	<b>STATE OF ILLINOIS DEPARTMENT OF TRANSPORTATION</b>	PAVEMENT MARKING			F.A.P. RTE.	SECTION	COUNTY	TOTAL SHEETS	SHEET NO.
	PLOT SCALE = #SCALE#	DRAWN -	REVISED -					785	(132-2,3,4, 133-1)RS	MADISON	122	55
	PLOT DATE = #DATE#	CHECKED -	REVISED -					CONTRACT NO. 76B80				
				SCALE: _____ SHEET NO. ___ OF ___ SHEETS STA. _____ TO STA. _____			FED. ROAD DIST. NO. _____ ILLINOIS FED. AID PROJECT					



FILE NAME = #FILE#	USER NAME = #USER#	DESIGNED - DRAWN - CHECKED - DATE -	REVISED - REVISED - REVISED - REVISED -	<b>STATE OF ILLINOIS DEPARTMENT OF TRANSPORTATION</b>	PAVEMENT MARKING		F.A.P. RTE. 785	SECTION (132-2,3,4, 133-1)RS	COUNTY MADISON	TOTAL SHEETS 122	SHEET NO. 56
	PLOT SCALE = #SCALE#				SCALE: _____	SHEET NO. ___ OF ___ SHEETS	STA. _____ TO STA. _____	CONTRACT NO. 76B80			
	PLOT DATE = #DATE#						FED. ROAD DIST. NO. - ILLINOIS FED. AID PROJECT				



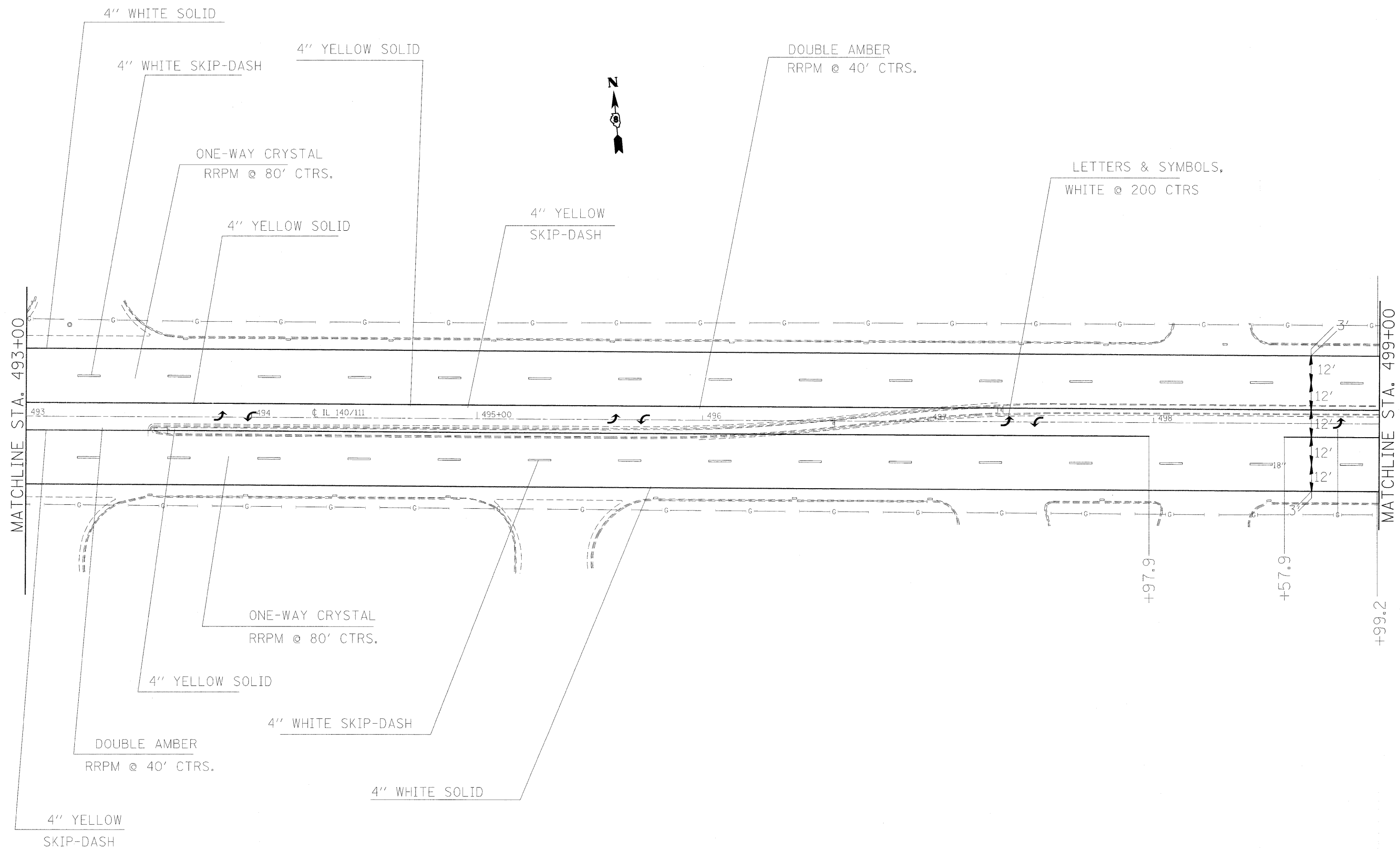
FILE NAME =	USER NAME = #USER#	DESIGNED -	REVISED -
*FILEL#		DRAWN -	REVISED -
	PLOT SCALE = #SCALE#	CHECKED -	REVISED -
	PLOT DATE = #DATE#	DATE -	REVISED -

**STATE OF ILLINOIS  
DEPARTMENT OF TRANSPORTATION**

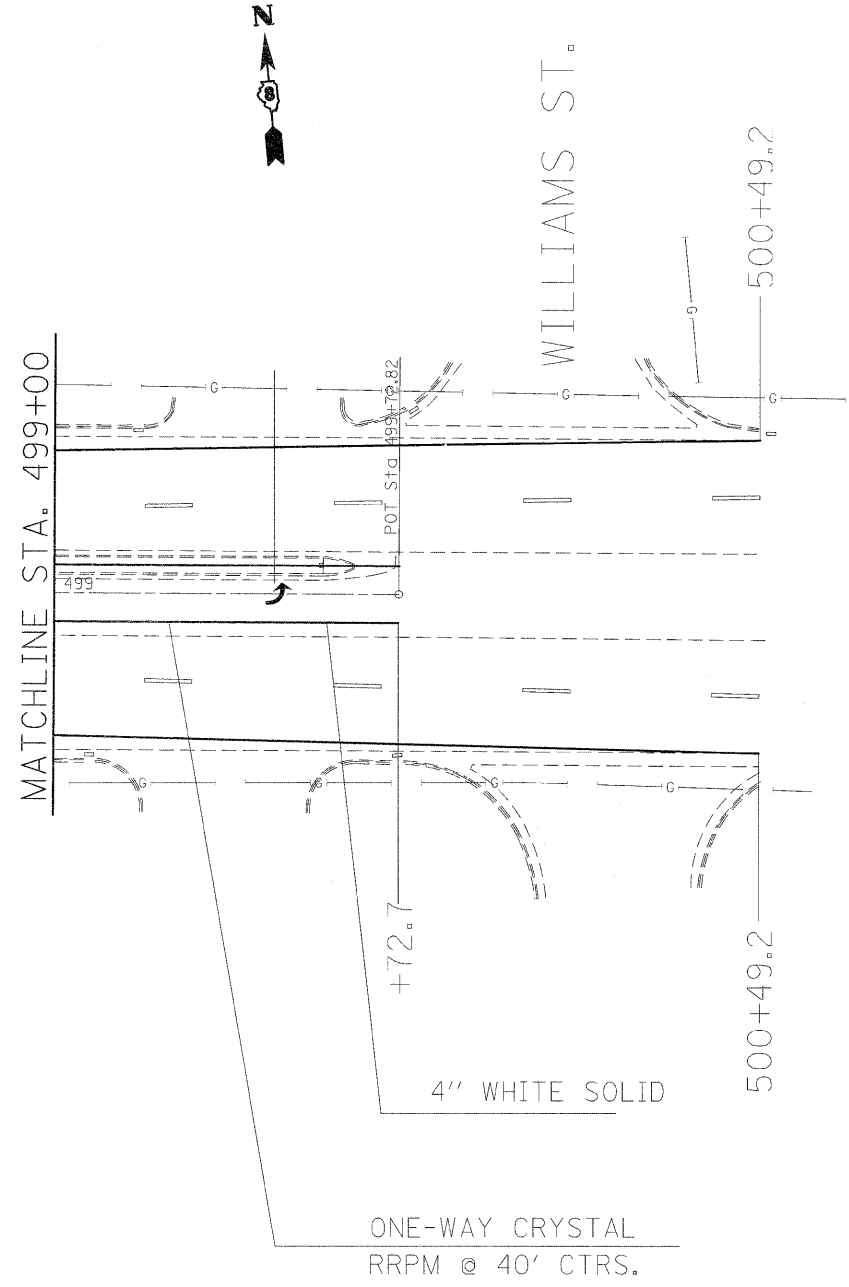
PAVEMENT MARKING

SCALE: \_\_\_\_\_ SHEET NO. \_\_\_ OF \_\_\_ SHEETS STA. \_\_\_\_\_ TO STA. \_\_\_\_\_

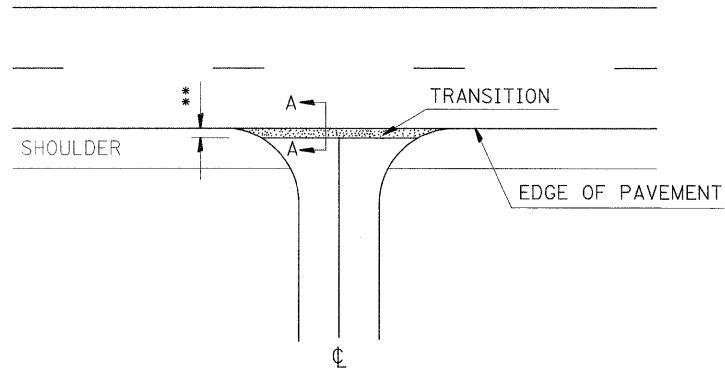
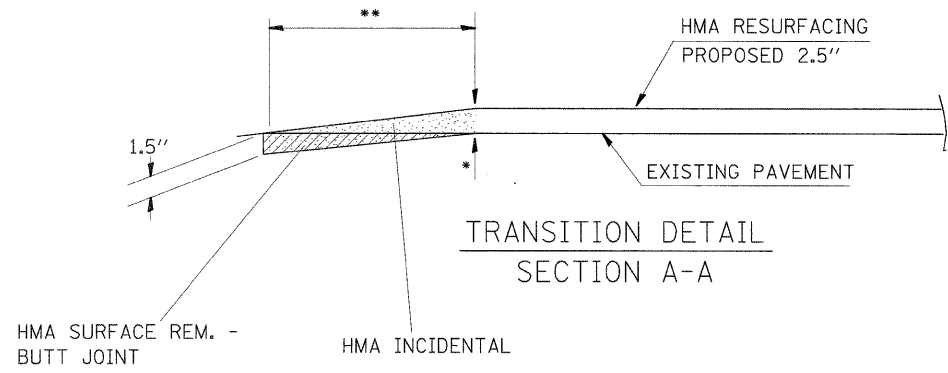
F.A.P. RTE.	SECTION	COUNTY	TOTAL SHEETS	SHEET NO.
785	(132-2,3,4, 133-1)RS	MADISON	122	57
CONTRACT NO. 76B80				
FED. ROAD DIST. NO. - ILLINOIS FED. AID PROJECT				



FILE NAME = #FILEL#	USER NAME = #USER#	DESIGNED - ___	REVISED - ___	<b>STATE OF ILLINOIS DEPARTMENT OF TRANSPORTATION</b>	PAVEMENT MARKING		F.A.P. RTE.	SECTION	COUNTY	TOTAL SHEETS	SHEET NO.
	PLOT SCALE = #SCALE#	DRAWN - ___	REVISED - ___				785	(132-2,3,4, 133-1RS)	MADISON	122	58
	PLOT DATE = #DATE#	CHECKED - ___	REVISED - ___				CONTRACT NO. 76B80				
				SCALE: _____ SHEET NO. ___ OF ___ SHEETS STA. _____ TO STA. _____		FED. ROAD DIST. NO. _____ ILLINOIS FED. AID PROJECT					

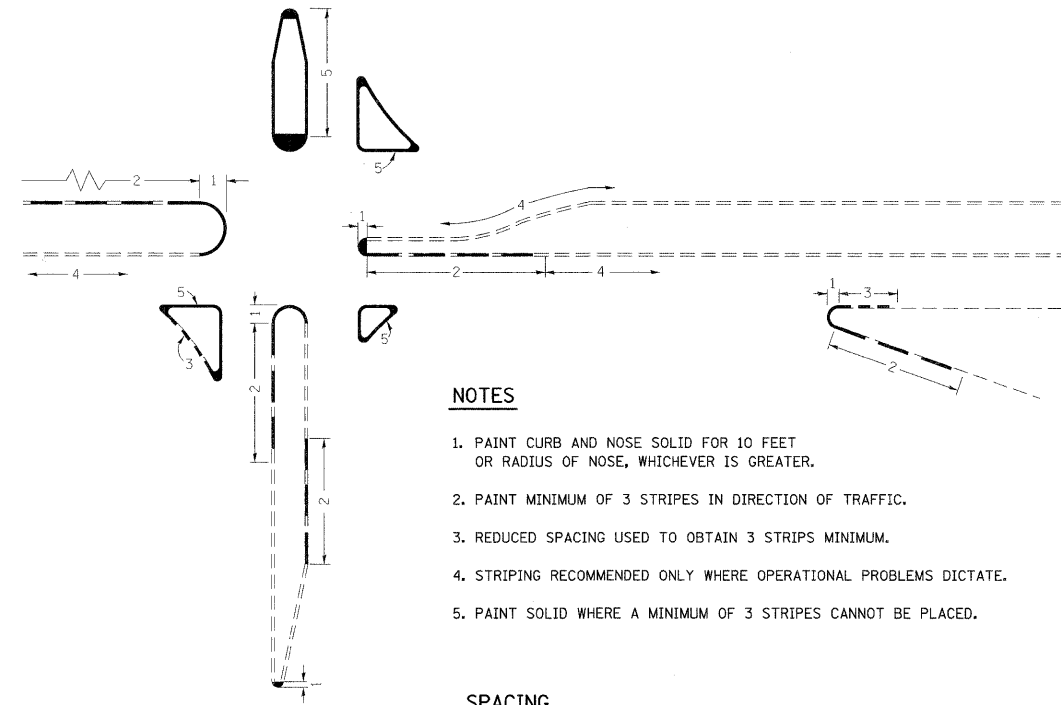


FILE NAME =	USER NAME = #USER#	DESIGNED -	REVISED -	<b>STATE OF ILLINOIS DEPARTMENT OF TRANSPORTATION</b>	PAVEMENT MARKING			F.A.P. RTE.	SECTION	COUNTY	TOTAL SHEETS	SHEET NO.
#FILEL#	PLOT SCALE = #SCALE#	DRAWN -	REVISED -					785	(132-2,3,4, 133-1)RS	MADISON	122	59
	PLOT DATE = #DATE#	CHECKED -	REVISED -		CONTRACT NO. 76B80							
		DATE -	REVISED -		FED. ROAD DIST. NO. ILLINOIS FED. AID PROJECT							
					SCALE: _____	SHEET NO. _____ OF _____ SHEETS	STA. _____ TO STA. _____					



SIDEROAD DETAIL

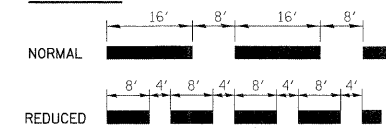
*EOP ELEVATION CHANGE	**TOTAL TRANSITION LENGTH
2-1/2"	12.5'



**NOTES**

1. PAINT CURB AND NOSE SOLID FOR 10 FEET OR RADIUS OF NOSE, WHICHEVER IS GREATER.
2. PAINT MINIMUM OF 3 STRIPES IN DIRECTION OF TRAFFIC.
3. REDUCED SPACING USED TO OBTAIN 3 STRIPS MINIMUM.
4. STRIPING RECOMMENDED ONLY WHERE OPERATIONAL PROBLEMS DICTATE.
5. PAINT SOLID WHERE A MINIMUM OF 3 STRIPES CANNOT BE PLACED.

**SPACING**



**CURB MARKING**

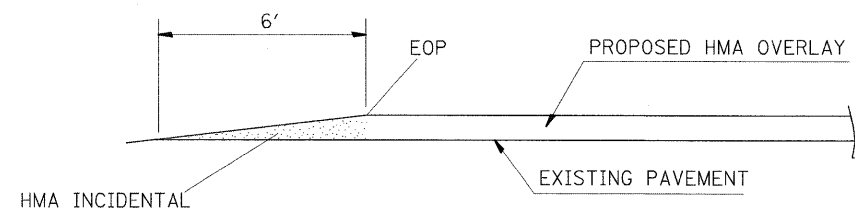
SHALL BE PAID FOR AS PAINT PAVEMENT MARKING 4"

THIS DETAIL EXCLUDES SIDEROADS WHERE LOOP DETECTORS ARE BEING REPLACED.

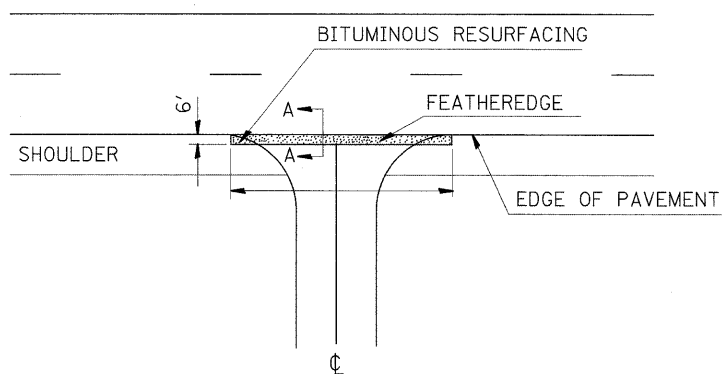
FILE NAME =	USER NAME = #USER#	DESIGNED -	REVISED -	<b>STATE OF ILLINOIS DEPARTMENT OF TRANSPORTATION</b>	<b>DETAILS</b>	F.A.P. RTE.	SECTION	COUNTY	TOTAL SHEETS	SHEET NO.
#FILEL#	PLOT SCALE = #SCALE#	DRAWN -	REVISED -			785	(132-2,3,4, 133-1RS)	MADISON	122	60
	PLOT DATE = #DATE#	CHECKED -	REVISED -			<b>CONTRACT NO. 76B80</b>				
		DATE -	REVISED -			FED. ROAD DIST. NO. - ILLINOIS FED. AID PROJECT				
				SCALE: _____ SHEET NO. ___ OF ___ SHEETS STA. _____ TO STA. _____						



ENTRANCE DETAIL

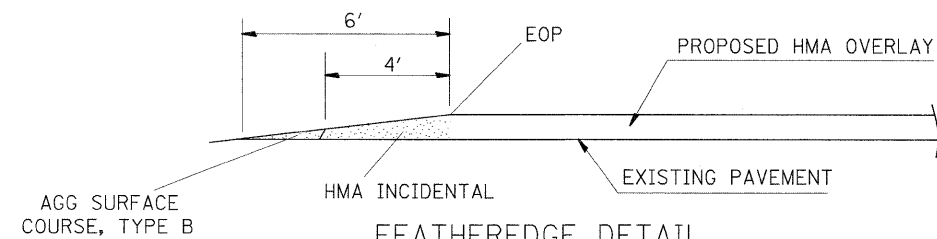


FEATHEREDGE DETAIL  
SECTION A-A

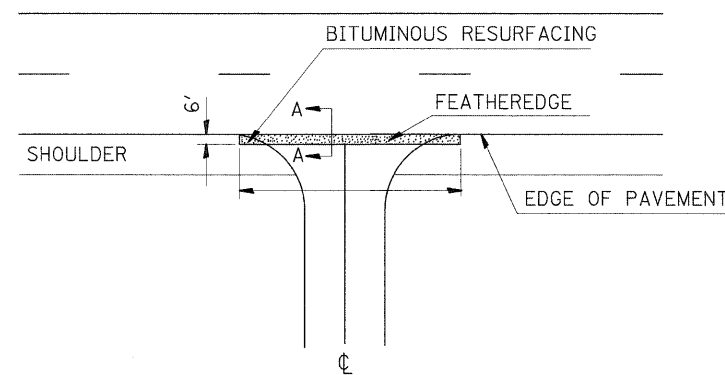


CE OR PE  
HMA OR CONCRETE

ENTRANCE DETAIL

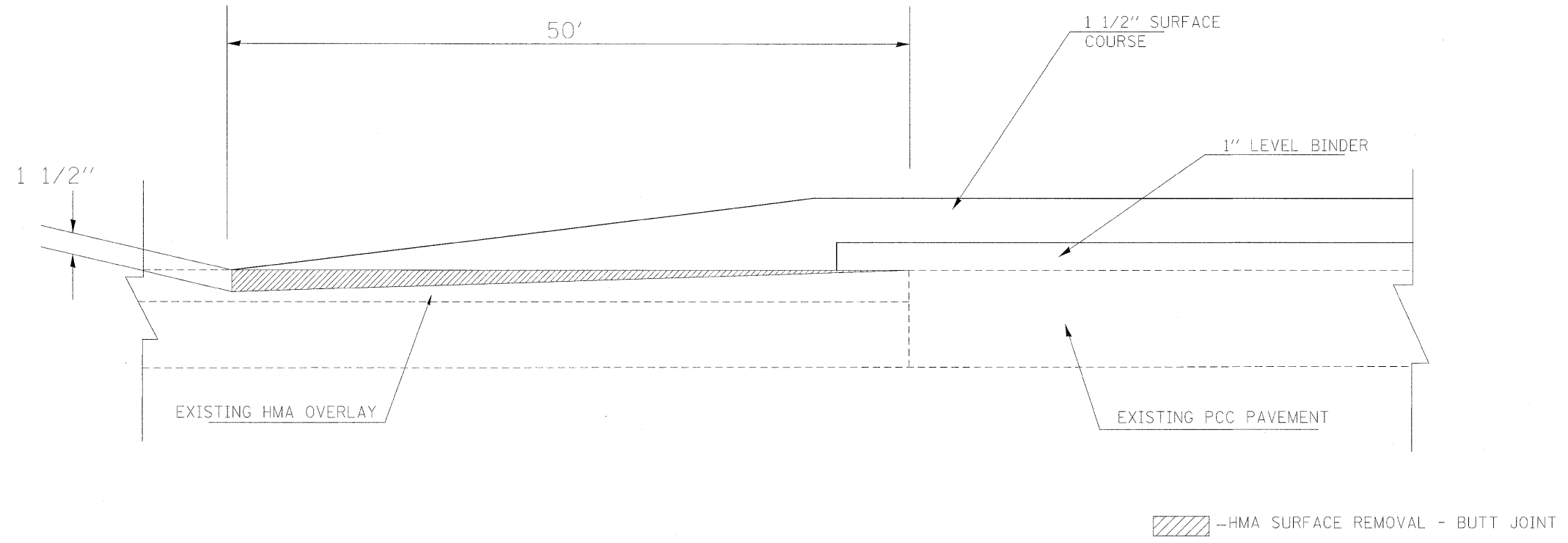


FEATHEREDGE DETAIL  
SECTION A-A



CE OR PE  
AGGREGATE

FILE NAME =	USER NAME = #USER#	DESIGNED -	REVISED -	<b>STATE OF ILLINOIS DEPARTMENT OF TRANSPORTATION</b>	<b>DETAILS</b>	F.A.P. RTE.	SECTION	COUNTY	TOTAL SHEETS	SHEET NO.	
#FILE#		DRAWN -	REVISED -			785	(132-2,3,4, 133-1)RS	MADISON	122	61	
PLOT SCALE = #SCALE#		CHECKED -	REVISED -			CONTRACT NO. 76B80					
PLOT DATE = #DATE#		DATE -	REVISED -			FED. ROAD DIST. NO. ILLINOIS FED. AID PROJECT					
				SCALE: _____ SHEET NO. ___ OF ___ SHEETS STA. _____ TO STA. _____							

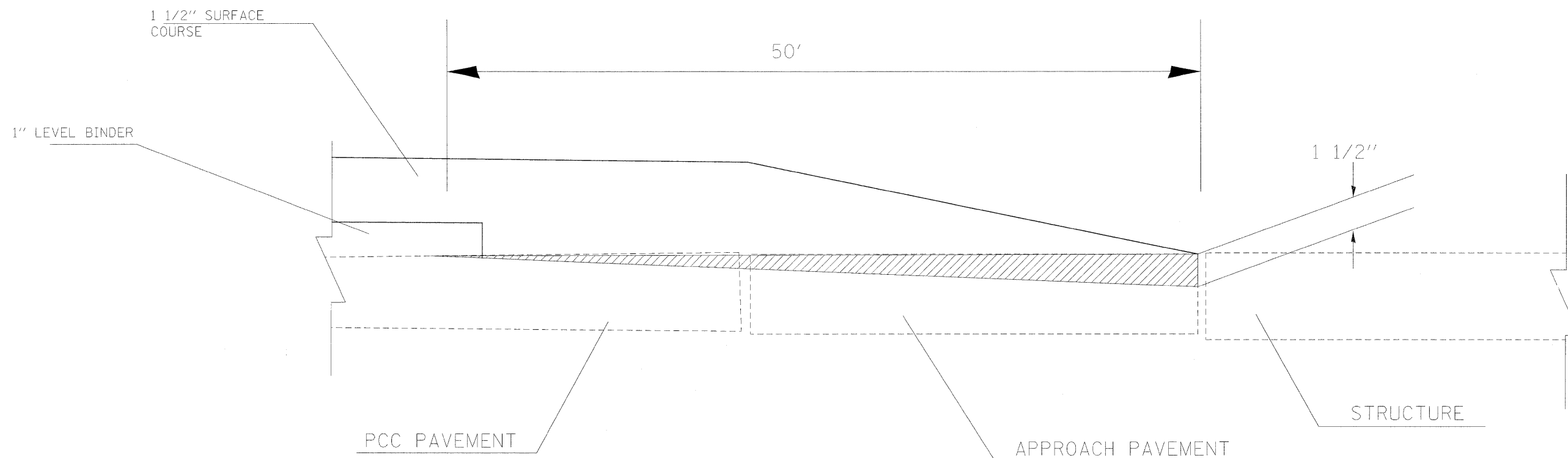


HMA SURFACE REMOVAL - BUTT JOINT

START PROJECT BETWEEN ANNEX STREET AND EVERGREEN STREET

END PROJECT AT WILLIAMS STREET

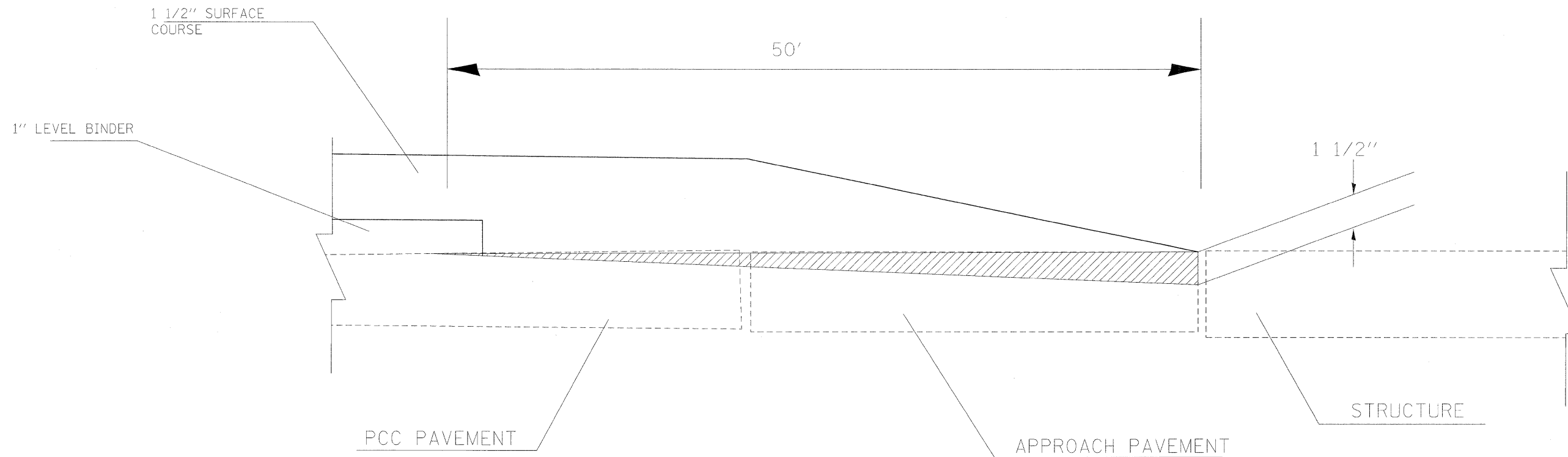
FILE NAME =	USER NAME = #USER#	DESIGNED - ---	REVISED - ---	<b>STATE OF ILLINOIS DEPARTMENT OF TRANSPORTATION</b>	<b>DETAILS</b>			F.A.P. RTE.	SECTION	COUNTY	TOTAL SHEETS	SHEET NO.
#FILEL#		DRAWN - ---	REVISED - ---					785	(132-2,3,4, 133-1)RS	MADISON	122	62
	PLOT SCALE = #SCALE#	CHECKED - ---	REVISED - ---		SCALE: _____ SHEET NO. ___ OF ___ SHEETS STA. _____ TO STA. _____			CONTRACT NO. 76B80				
	PLOT DATE = #DATE#	DATE - _____	REVISED - ---		FED. ROAD DIST. NO. ILLINOIS FED. AID PROJECT							



PCC & HMA SURFACE REMOVAL - BUTT JOINT  
 OLD RR STRUCTURE (SN 060-0199)  
 APPROXIMATE STA 84+64 TO STA. 86+55  
 4 LOCATIONS (2 APPROACH & 2 DEPARTURES)

 -HMA OR PCC SURFACE REMOVAL  
 - BUTT JOINT

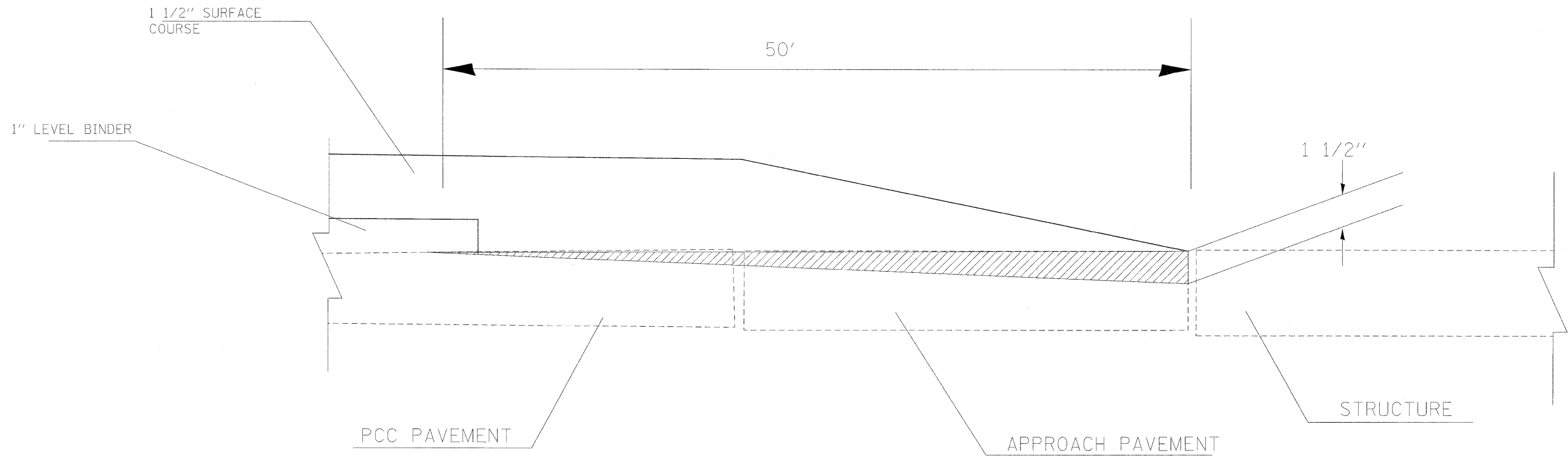
FILE NAME =	USER NAME = #USER#	DESIGNED -	REVISED -	<b>STATE OF ILLINOIS DEPARTMENT OF TRANSPORTATION</b>	<b>DETAILS</b>	F.A.P. RTE.	SECTION	COUNTY	TOTAL SHEETS	SHEET NO.	
#FILEL#		DRAWN -	REVISED -			785	(132-2,3,4, 133-1RS)	MADISON	122	63	
		CHECKED -	REVISED -			CONTRACT NO. 76B80					
		DATE -	REVISED -			FED. ROAD DIST. NO. - ILLINOIS FED. AID PROJECT					
				SCALE: _____ SHEET NO. ___ OF ___ SHEETS STA. _____ TO STA. _____							



PCC & HMA SURFACE REMOVAL - BUTT JOINT  
 WOODRIVER CREEK STRUCTURE (SN 060-0091)  
 APPROXIMATE STA 90+00 TO STA. 92+69  
 4 LOCATIONS (2 APPROACH & 2 DEPARTURES)

 -HMA OR PCCC SURFACE REMOVAL  
 - BUTT JOINT

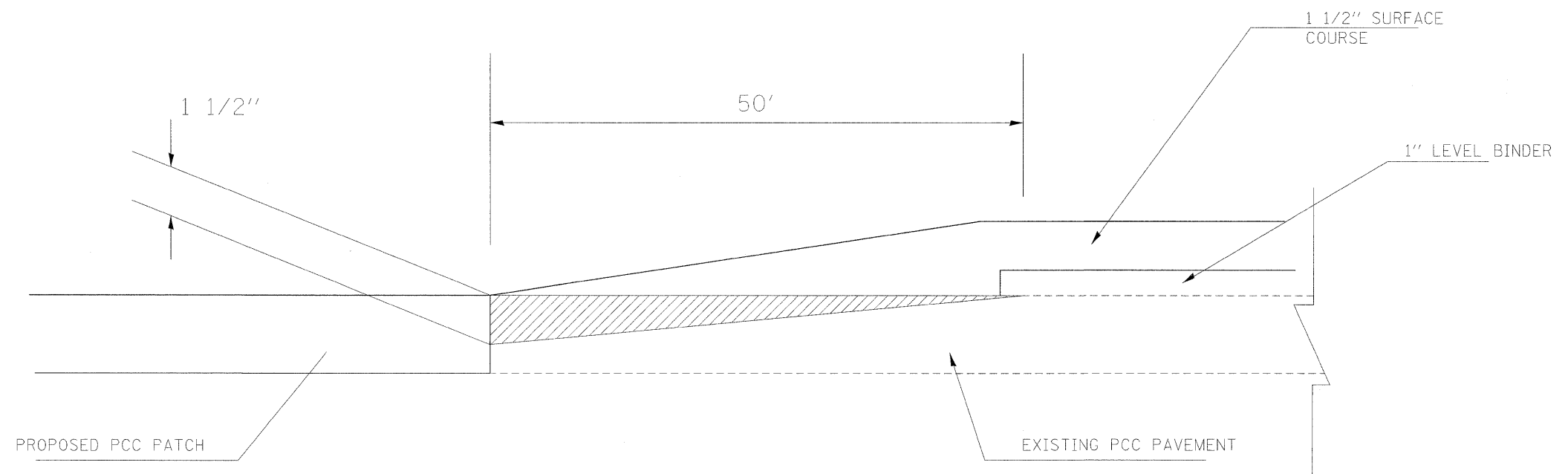
FILE NAME = #FILE#	USER NAME = #USER#	DESIGNED - ---	REVISED - ---	<b>STATE OF ILLINOIS DEPARTMENT OF TRANSPORTATION</b>	<b>DETAILS</b>			F.A.P. RTE. 785	SECTION (132-2,3,4, 133-1)RS	COUNTY MADISON	TOTAL SHEETS 122	SHEET NO. 64
	PLOT SCALE = #SCALE#	CHECKED - ---	REVISED - ---					CONTRACT NO. 76B80				
	PLOT DATE = #DATE#	DATE - -----	REVISED - ---		SCALE: _____	SHEET NO. ___ OF ___ SHEETS	STA. _____ TO STA. _____	FED. ROAD DIST. NO. _ ILLINOIS FED. AID PROJECT				



PCC & HMA SURFACE REMOVAL - BUTT JOINT  
 WOODRIVER CREEK STRUCTURE (SN 060-0190 & 060-0187)  
 APPROXIMATE STA 211+96 TO STA. 213+74)  
 4 LOCATIONS (2 APPROACH & 2 DEPARTURES)

 - HMA OR PCCC SURFACE REMOVAL  
 - BUTT JOINT

FILE NAME =	USER NAME = #USER#	DESIGNED -	REVISED -	<b>STATE OF ILLINOIS DEPARTMENT OF TRANSPORTATION</b>	<b>DETAILS</b>	F.A.P. RTE.	SECTION	COUNTY	TOTAL SHEETS	SHEET NO.	
*FILEL#		DRAWN -	REVISED -			785	(132-2,3,4, 133-1RS)	MADISON	122	65	
		CHECKED -	REVISED -			<b>CONTRACT NO. 76B80</b>					
		DATE -	REVISED -			ILLINOIS FED. AID PROJECT					
				SCALE: _____ SHEET NO. ___ OF ___ SHEETS STA. _____ TO STA. _____		FED. ROAD DIST. NO. - ILLINOIS FED. AID PROJECT					

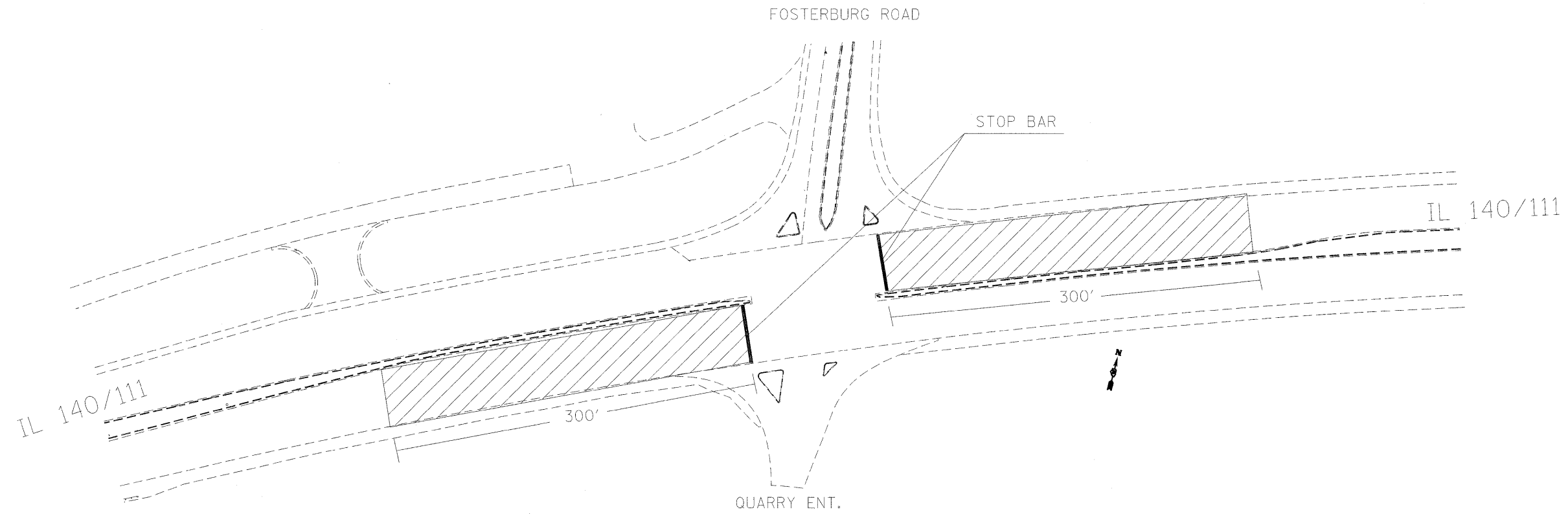


 - HMA SURFACE REMOVAL  
 - BUTT JOINT

PCC SURFACE REMOVAL - BUTT JOINT

PAVEMENT ADJACENT LARGE PCC PATCHES AT IL 140/111 & FOSTERBURG ROAD/QUARRY ENTRANCE  
 4 LOCATIONS (2 APPROACH & 2 DEPARTURES)

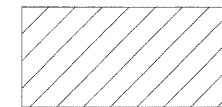
FILE NAME =	USER NAME = #USER#	DESIGNED -	REVISED -	<b>STATE OF ILLINOIS DEPARTMENT OF TRANSPORTATION</b>	<b>DETAILS</b>	F.A.P. RTE.	SECTION	COUNTY	TOTAL SHEETS	SHEET NO.	
#FILE#		DRAWN -	REVISED -			785	(132-2,3,4, 133-DRS)	MADISON	122	66	
	PLOT SCALE = #SCALE#	CHECKED -	REVISED -			CONTRACT NO. 76B80					
	PLOT DATE = #DATE#	DATE -	REVISED -			FED. ROAD DIST. NO. ILLINOIS FED. AID PROJECT					
				SCALE: _____ SHEET NO. ___ OF ___ SHEETS STA. _____ TO STA. _____							



NOT TO SCALE

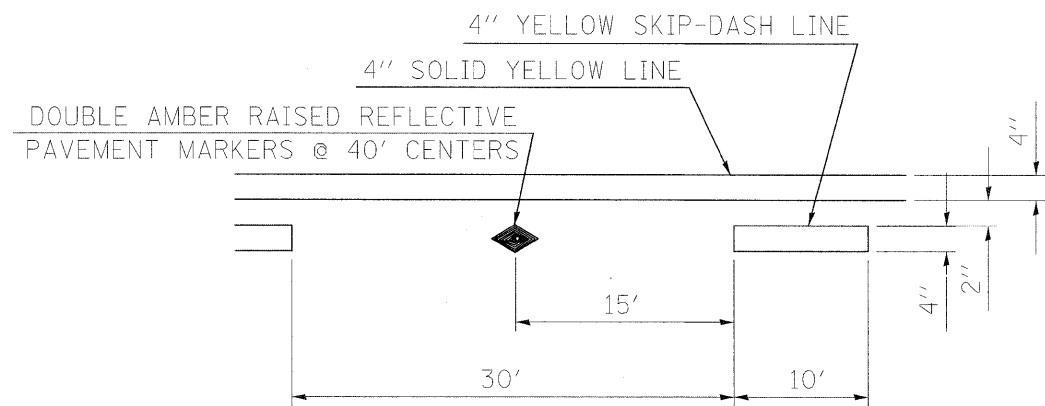
NOTES:

1. PREFORMED PLASTIC PAVEMENT MARKING SHALL BE USED (SEE SCHEDULE).
2. TWO DRIVING LANES SHALL BE MAINTAINED IN EACH DIRECTION AT ALL TIMES DURING CONSTRUCTION OF THE FULL DEPTH CONCRETE.
3. THE CONTRACTOR SHALL NOTIFY THE RESIDENT ENGINEER TWO WEEKS PRIOR IMPLEMENTING TRAFFIC CONTROL FOR WORK SHOWN ON THIS SHEET.
4. THE RESIDENT ENGINEER SHALL COORDINATE WITH OPERATIONS REGARDING THE SIGNAL PHASING PRIOR TO COMMENCEMENT OF THIS WORK.
5. ALL COORDINATION SHALL BE CONSIDERED INCLUDED IN PCC PAVEMENT PAY ITEMS NO ADDITIONAL COMPENSATION SHALL BE ALLOWED.
6. CONCRETE CURB AND GUTTER AND MEDIAN SHALL NOT BE DISTURBED BY PAVEMENT REMOVAL OPERATIONS.

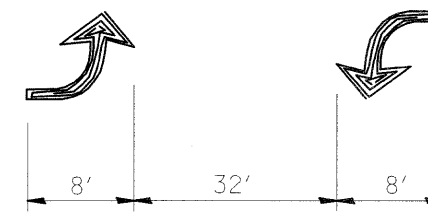


10" PCC PAVEMENT (JOINTED)  
4" AGGREGATE BASE COURSE

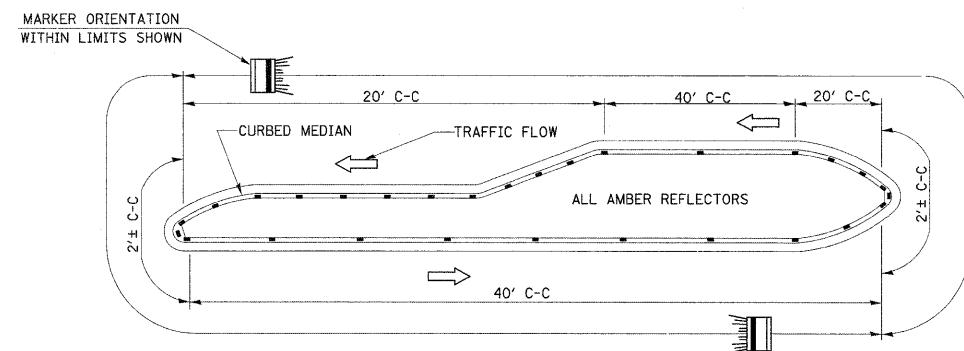
FILE NAME =	USER NAME = #USER#	DESIGNED - ---	REVISED - ---	<b>STATE OF ILLINOIS DEPARTMENT OF TRANSPORTATION</b>	<b>DETAILS</b>	F.A.P. RTE.	SECTION	COUNTY	TOTAL SHEETS	SHEET NO.	
#FILE#		DRAWN - ---	REVISED - ---			785	(132-2,3,4, 133-1)RS	MADISON	122	67	
		CHECKED - ---	REVISED - ---			<b>CONTRACT NO. 76B80</b>					
		DATE - -----	REVISED - ---			FED. ROAD DIST. NO. ILLINOIS FED. AID PROJECT					
				SCALE: _____ SHEET NO. ___ OF ___ SHEETS STA. _____ TO STA. _____							



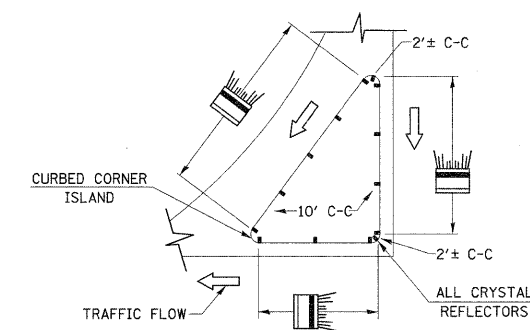
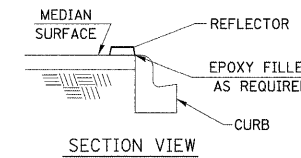
TYPICAL APPLICATION FOR  
BI-DIRECTIONAL TURN LANE  
WITH RAISED REFLECTIVE PAVEMENT MARKERS



BI-DIRECTIONAL ARROWS  
ON 200' CTRS



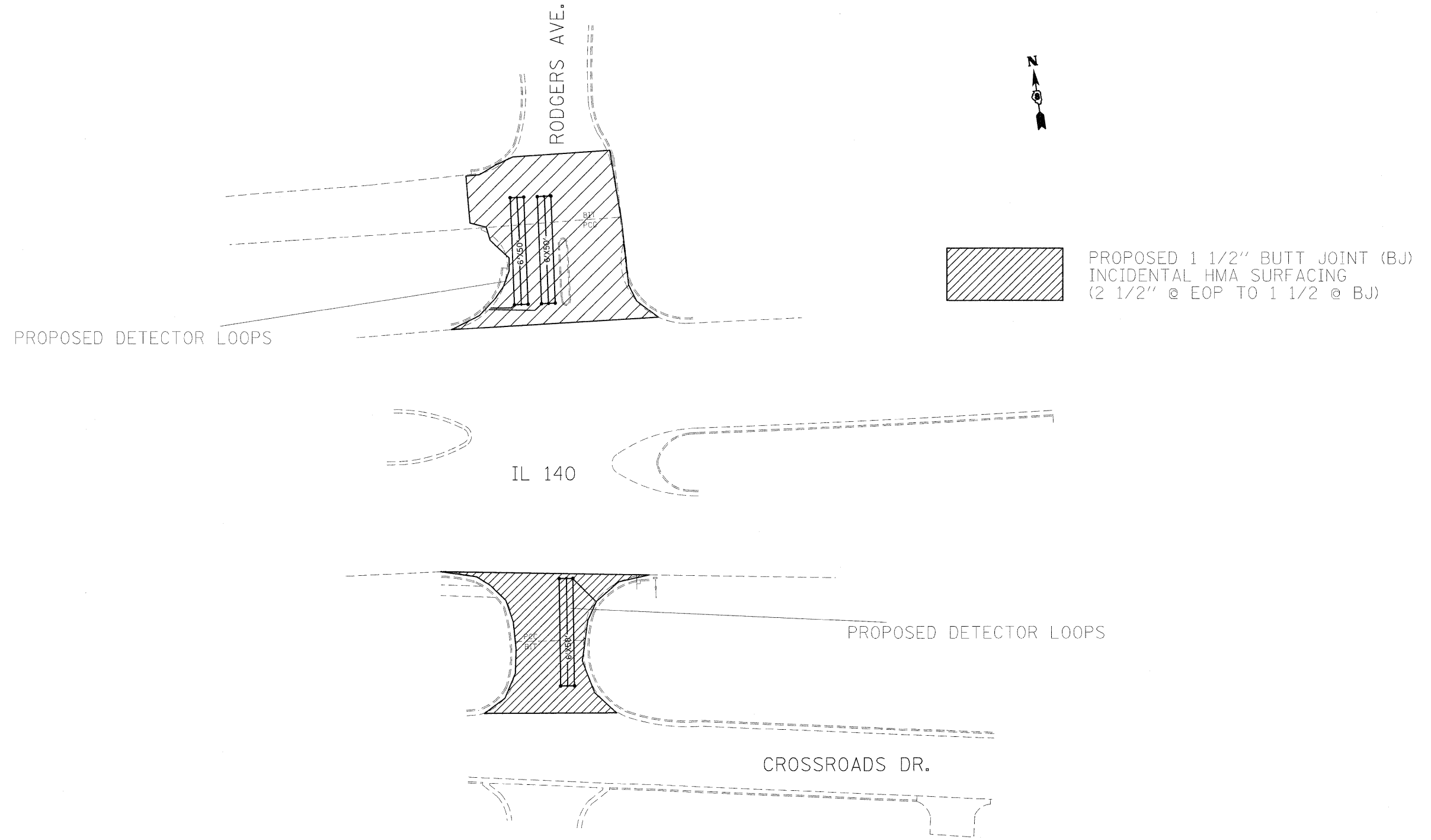
- NOTES
1. PRISMATIC REFLECTORS SHALL BE MONO-DIRECTIONAL AND POSITIONED SO THAT THE REFLECTIVE FACE IS FACING THE APPROACHING TRAFFIC.
  2. PRISMATIC REFLECTORS SHALL BE SECURED IN PLACE WITH AN EPOXY ADHESIVE.
  3. PRISMATIC REFLECTORS SHALL BE EITHER AMBER OR CRYSTAL IN COLOR.



TYPICAL PLACEMENT OF PRISMATIC REFLECTORS ON CURBS  
(NO SCALE)

FILE NAME =	USER NAME = #USER#	DESIGNED -	REVISED -	<b>STATE OF ILLINOIS DEPARTMENT OF TRANSPORTATION</b>	<b>DETAILS</b>	F.A.P. RTE.	SECTION	COUNTY	TOTAL SHEETS	SHEET NO.	
#FILEL#		DRAWN -	REVISED -			785	(132-2,3,4, 133-1)RS	MADISON	122	68	
	PLOT SCALE = #SCALE#	CHECKED -	REVISED -			CONTRACT NO. 76B80					
	PLOT DATE = #DATE#	DATE -	REVISED -			FED. ROAD DIST. NO. ILLINOIS FED. AID PROJECT					
				SCALE: _____ SHEET NO. ___ OF ___ SHEETS STA. _____ TO STA. _____							





FILE NAME =	USER NAME = #USER#	DESIGNED - ___	REVISED - ___
#FILE#		DRAWN - ___	REVISED - ___
	PLOT SCALE = #SCALE#	CHECKED - ___	REVISED - ___
	PLOT DATE = #DATE#	DATE - _____	REVISED - ___

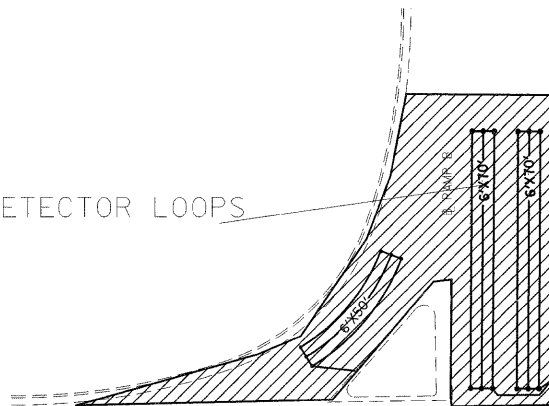
**STATE OF ILLINOIS  
DEPARTMENT OF TRANSPORTATION**

<b>DETAILS</b>	
SCALE: _____	SHEET NO. ___ OF ___ SHEETS STA. _____ TO STA. _____

F.A.P. RTE.	SECTION	COUNTY	TOTAL SHEETS	SHEET NO.
785	(132-2,3,4, 133-1)RS	MADISON	122	69
CONTRACT NO. 76B80				
FED. ROAD DIST. NO. _ ILLINOIS FED. AID PROJECT				

HOMER ADAMS PARKWAY  
SB EXIT RAMP

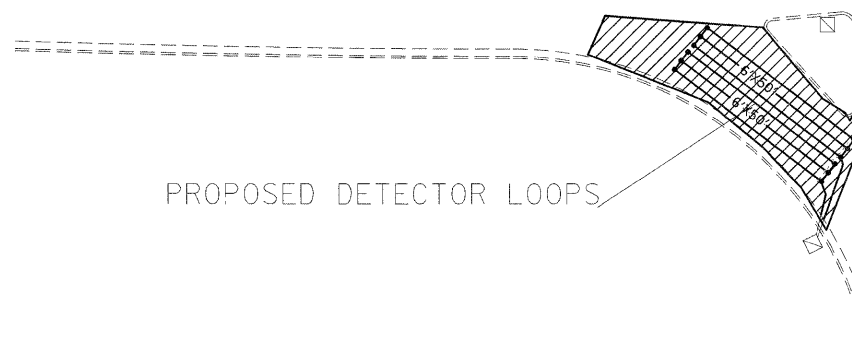
PROPOSED DETECTOR LOOPS



PROPOSED 1 1/2" BUTT JOINT (BJ)  
INCIDENTAL HMA SURFACING  
(2 1/2" @ EOP TO 1 1/2" @ BJ)

IL 140

PROPOSED DETECTOR LOOPS



HOMER ADAMS PARKWAY  
SB ENTRANCE RAMP

FILE NAME =	USER NAME = #USER#	DESIGNED -	REVISED -	<b>STATE OF ILLINOIS DEPARTMENT OF TRANSPORTATION</b>	<b>DETAILS</b>	F.A.P. RTE.	SECTION	COUNTY	TOTAL SHEETS	SHEET NO.	
#FILEL#		DRAWN -	REVISED -			785	(132-2,3,4, 133-1RS)	MADISON	122	70	
		CHECKED -	REVISED -			<b>CONTRACT NO. 76B80</b>					
		DATE -	REVISED -			FED. ROAD DIST. NO. - ILLINOIS FED. AID PROJECT					
				SCALE: _____ SHEET NO. ___ OF ___ SHEETS STA. _____ TO STA. _____							

HOMER ADAMS PARKWAY  
NB EXIT RAMP

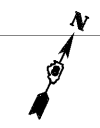
PROPOSED DETECTOR LOOPS

IL 140/111

IL ROUTE 140

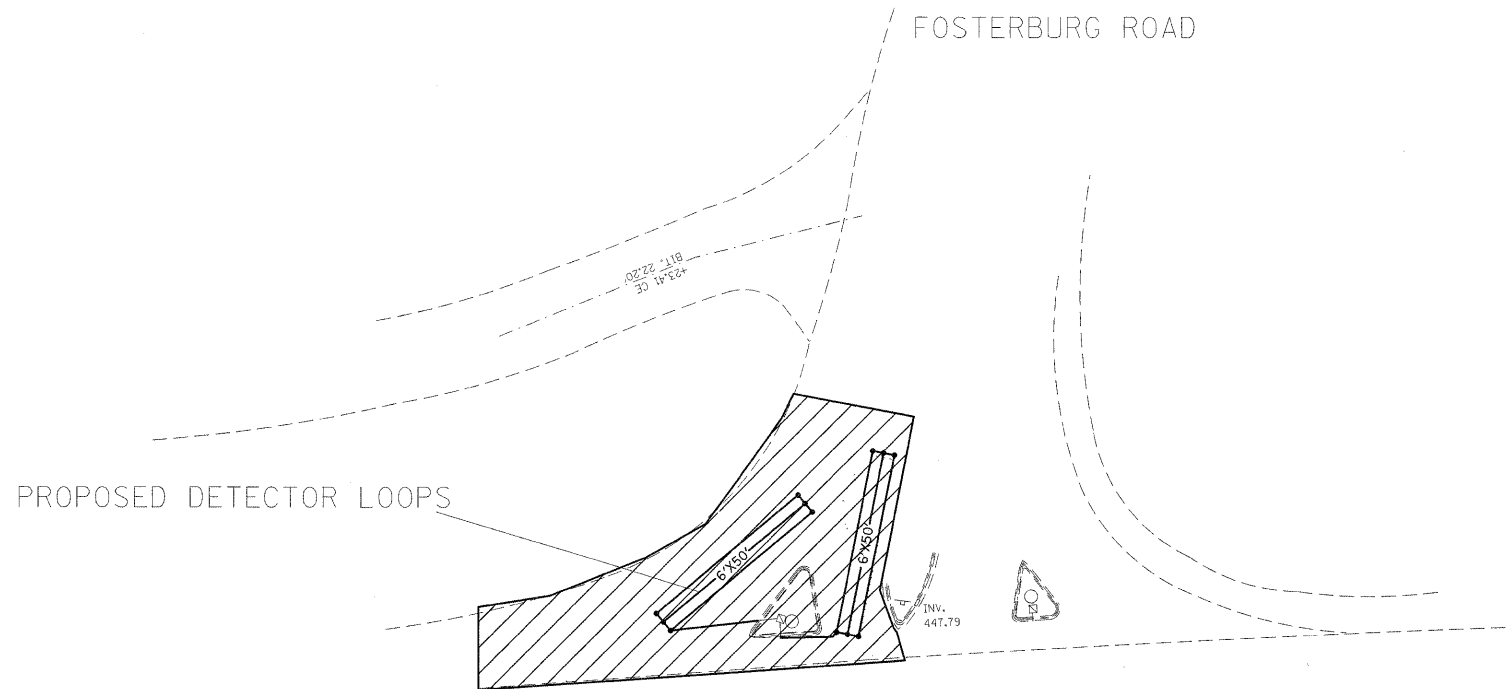
PROPOSED DETECTOR LOOPS

HOMER ADAMS PARKWAY  
NB EXIT RAMP

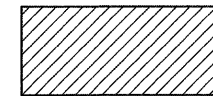
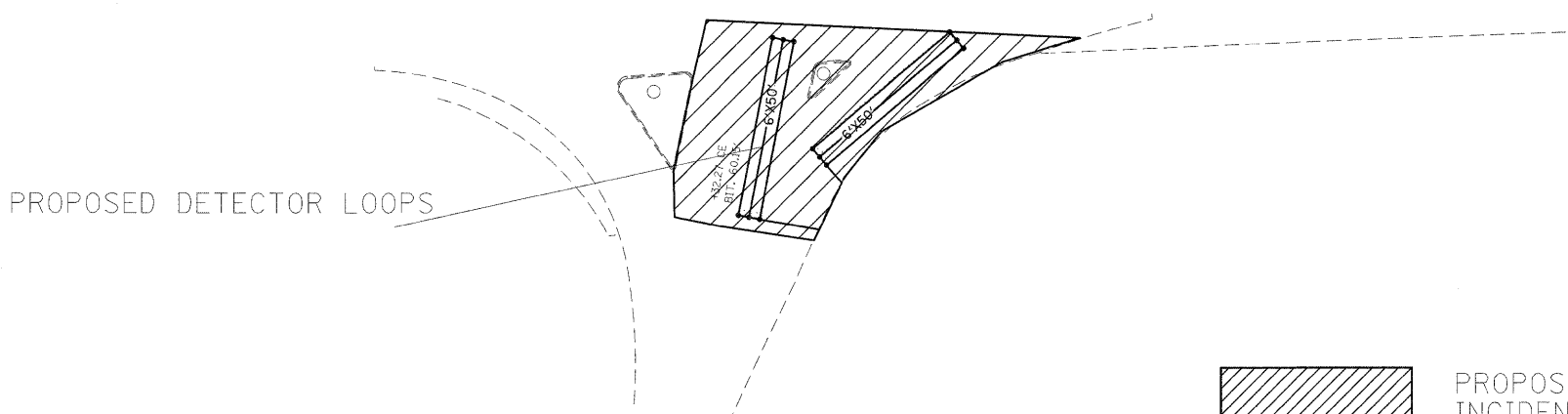


PROPOSED 1 1/2" BUTT JOINT (BJ)  
INCIDENTAL HMA SURFACING  
(2 1/2" @ EOP TO 1 1/2" @ BJ)

FILE NAME =	USER NAME = #USER#	DESIGNED - ___	REVISED - ___	<b>STATE OF ILLINOIS DEPARTMENT OF TRANSPORTATION</b>	<b>DETAILS</b>	F.A.P. RTE.	SECTION	COUNTY	TOTAL SHEETS	SHEET NO.	
#FILE#		DRAWN - ___	REVISED - ___			785	(132-2,3,4, 133-1RS)	MADISON	122	71	
	PLOT SCALE = #SCALE#	CHECKED - ___	REVISED - ___			<b>CONTRACT NO. 76B80</b>					
	PLOT DATE = #DATE#	DATE - _____	REVISED - ___			FED. ROAD DIST. NO. - ILLINOIS FED. AID PROJECT					
				SCALE: _____ SHEET NO. ___ OF ___ SHEETS STA. _____ TO STA. _____							



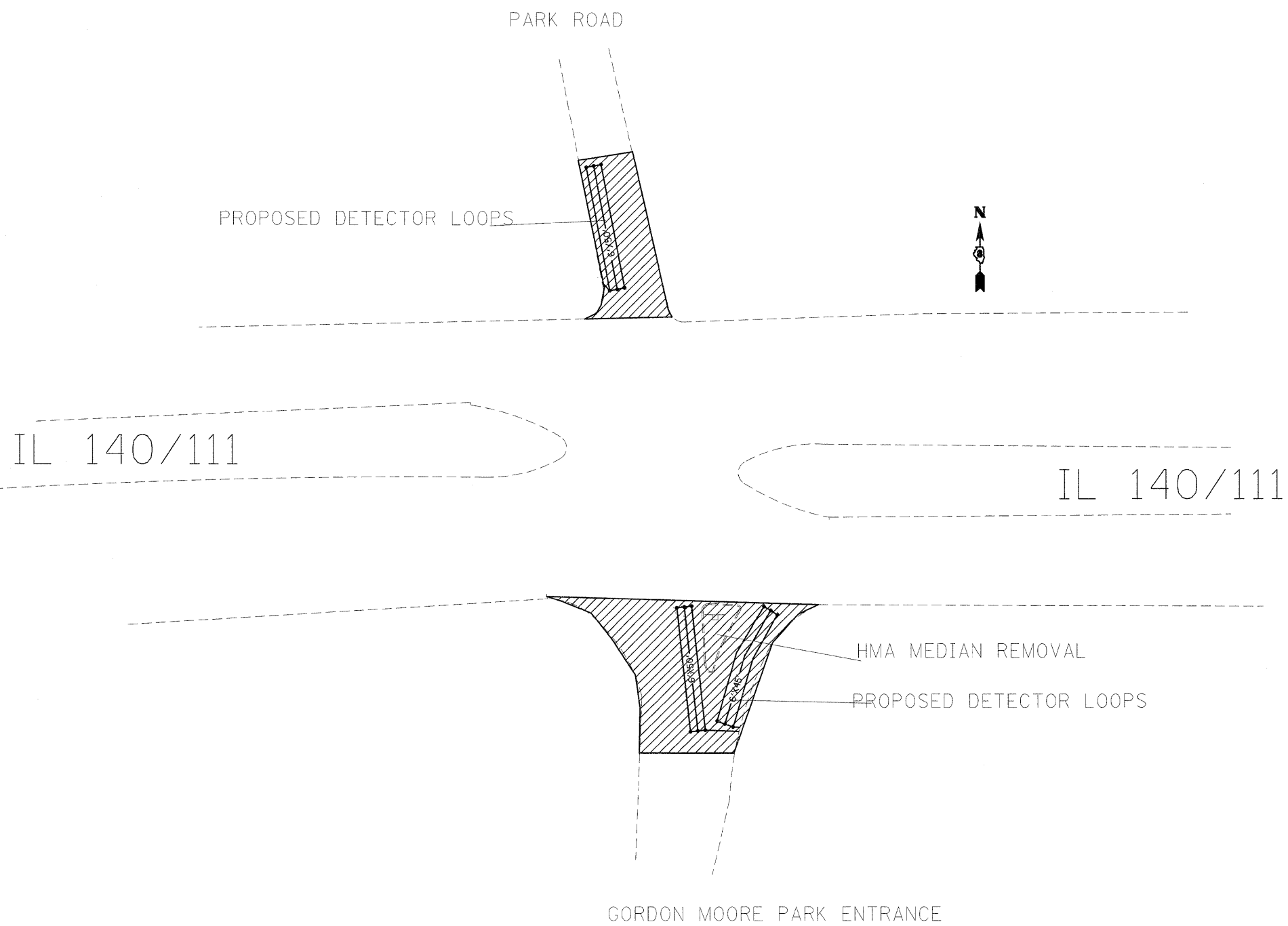
IL 140/111



PROPOSED 1 1/2" BUTT JOINT (BJ)  
INCIDENTAL HMA SURFACING  
(2 1/2" @ EOP TO 1 1/2" @ BJ)

QUARRY ENTRANCE

FILE NAME = #FILE#	USER NAME = #USER#	DESIGNED - ---	REVISED - ---	<b>STATE OF ILLINOIS DEPARTMENT OF TRANSPORTATION</b>	<b>DETAILS</b>	F.A.P. RTE.	SECTION	COUNTY	TOTAL SHEETS	SHEET NO.
	PLOT SCALE = #SCALE#	DRAWN - ---	REVISED - ---			785	(132-2,3,4, 133-1)RS	MADISON	122	72
	PLOT DATE = #DATE#	CHECKED - ---	REVISED - ---			CONTRACT NO. 76B80				
				SCALE: _____ SHEET NO. ___ OF ___ SHEETS STA. _____ TO STA. _____		FED. ROAD DIST. NO. _ ILLINOIS FED. AID PROJECT				



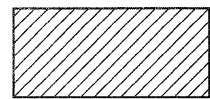

 PROPOSED 1 1/2" BUTT JOINT (BJ)  
 INCIDENTAL HMA SURFACING  
 (2 1/2" @ EOP TO 1 1/2" @ BJ)

FILE NAME =	USER NAME = #USER#	DESIGNED - ---	REVISED - ---	<b>STATE OF ILLINOIS DEPARTMENT OF TRANSPORTATION</b>	<b>DETAILS</b>	F.A.P. RTE.	SECTION	COUNTY	TOTAL SHEETS	SHEET NO.
#FILE#		DRAWN - ---	REVISED - ---			785	(132-2,3,4, 133-1RS)	MADISON	122	73
		CHECKED - ---	REVISED - ---			<b>CONTRACT NO. 76B80</b>				
		PLOT DATE = #DATE#	DATE - -----		SCALE: _____	SHEET NO. ___ OF ___ SHEETS	STA. _____ TO STA. _____	FED. ROAD DIST. NO. - ILLINOIS FED. AID PROJECT		

IL 140/111

PROPOSED DETECTOR LOOPS

PROPOSED DETECTOR LOOPS



PROPOSED 1 1/2" BUTT JOINT (BJ)  
INCIDENTAL HMA SURFACING  
(2 1/2" @ EOP TO 1 1/2" @ BJ)



PROPOSED  
10" PCC PAVEMENT  
4" AGGREGATE SUBBASE  
PAVEMENT REMOVAL

POWDER MILL ROAD

POWDER MILL RD.

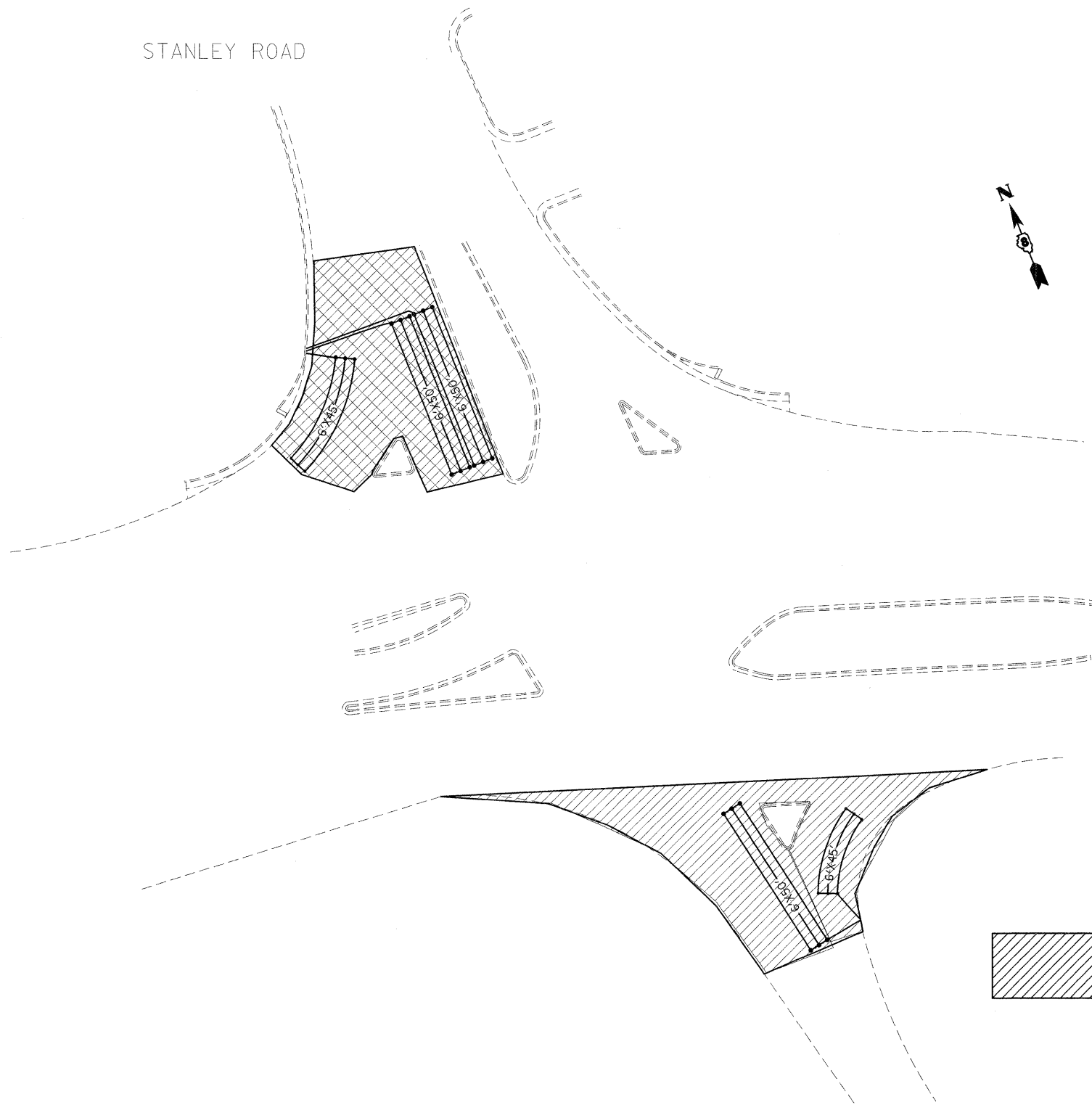


FILE NAME = #FILE#	USER NAME = #USER#	DESIGNED - ___	REVISED - ___	<b>STATE OF ILLINOIS DEPARTMENT OF TRANSPORTATION</b>	<b>DETAILS</b>	F.A.P. RTE. 785	SECTION (132-2,3,4, 133-1RS)	COUNTY MADISON	TOTAL SHEETS 122	SHEET NO. 74
	PLOT SCALE = #SCALE#	CHECKED - ___	REVISED - ___			<b>CONTRACT NO. 76B80</b>				
	PLOT DATE = #DATE#	DATE - _____	REVISED - ___			SCALE: _____	SHEET NO. ___ OF ___ SHEETS	STA. _____ TO STA. _____	FED. ROAD DIST. NO. _ ILLINOIS FED. AID PROJECT	



PROPOSED  
 10" PCC PAVEMENT  
 4" AGGREGATE SUBBASE  
 PAVEMENT REMOVAL

STANLEY ROAD



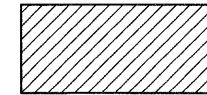
PROPOSED 1 1/2" BUTT JOINT (BJ)  
 INCIDENTAL HMA SURFACING  
 (2 1/2" @ EOP TO 1 1/2" @ BJ)

FILE NAME =	USER NAME = #USER#	DESIGNED - ___	REVISED - ___
#FILE#		DRAWN - ___	REVISED - ___
	PLOT SCALE = #SCALE#	CHECKED - ___	REVISED - ___
	PLOT DATE = #DATE#	DATE - _____	REVISED - ___

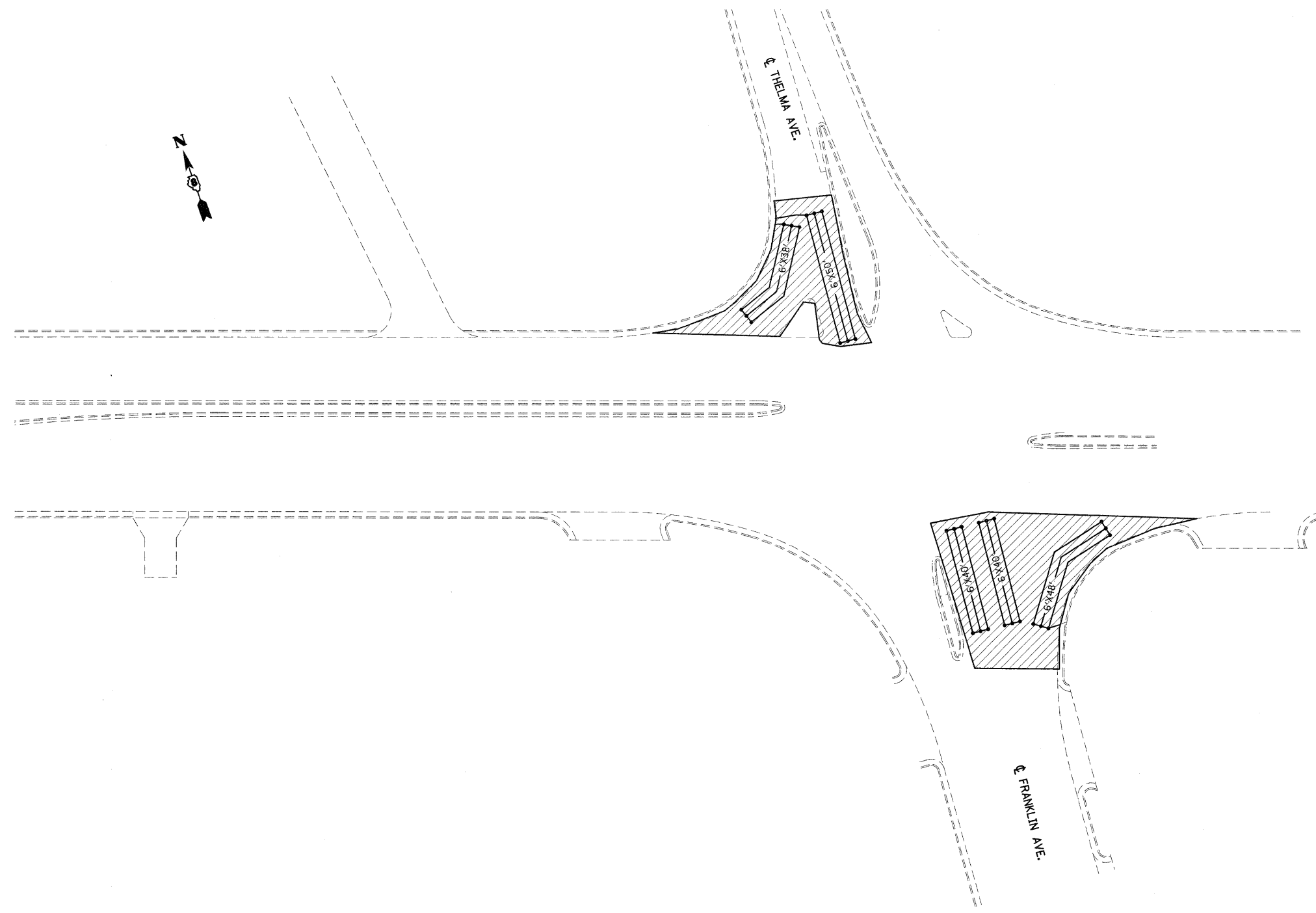
STATE OF ILLINOIS  
 DEPARTMENT OF TRANSPORTATION

<b>DETAILS</b>	
SCALE: _____	SHEET NO. ___ OF ___ SHEETS STA. _____ TO STA. _____

F.A.P. RTE.	SECTION	COUNTY	TOTAL SHEETS	SHEET NO.
785	(132-2,3,4, 133-1RS)	MADISON	122	75
<b>CONTRACT NO. 76B80</b>				
FED. ROAD DIST. NO. _ ILLINOIS FED. AID PROJECT				



PROPOSED 1 1/2" BUTT JOINT (BJ)  
INCIDENTAL HMA SURFACING  
(2 1/2" @ EOP TO 1 1/2" @ BJ)



FILE NAME = #FILEL#	USER NAME = #USER#	DESIGNED - ---	REVISED - ---	<b>STATE OF ILLINOIS DEPARTMENT OF TRANSPORTATION</b>	<b>DETAILS</b>	F.A.P. RTE.	SECTION	COUNTY	TOTAL SHEETS	SHEET NO.
	PLOT SCALE = #SCALE#	CHECKED - ---	REVISED - ---			785	(132-2,3,4, 133-1RS)	MADISON	122	76
	PLOT DATE = #DATE#	DATE - ---	REVISED - ---			CONTRACT NO. 76B80			FED. ROAD DIST. NO. ILLINOIS FED. AID PROJECT	
SCALE: _____ SHEET NO. ___ OF ___ SHEETS STA. _____ TO STA. _____										



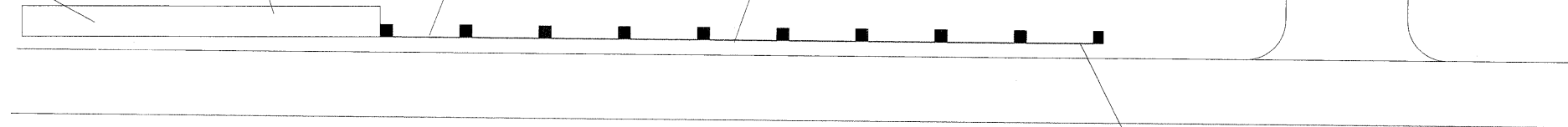
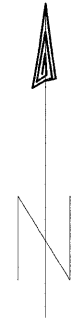
SN 060-0199  
OLD RAILROAD STRUCTURE

CONC. PARAPET WALL

TRAFFIC BARRIER TERMINAL  
TYPE 6

SPBGR T-A 6' POSTS (100')

JUNK YARD ENTRANCE



IL 140/111

TRAFFIC BARRIER TERMINAL,  
TYPE 1 SPECIAL, TANGENT

LOCATION 1

TERMINAL MARKER -DIRECT APPLIED (1 EACH)  
GUARDRAIL MARKERS, TYPE A (4 EACH)

FILE NAME = #FILE#	USER NAME = #USER#	DESIGNED - ___	REVISED - ___	<b>STATE OF ILLINOIS DEPARTMENT OF TRANSPORTATION</b>	<b>DETAILS (GUARDRAIL LOCATION 1)</b>	F.A.P. RTE.	SECTION	COUNTY	TOTAL SHEETS	SHEET NO.	
	PLOT SCALE = #SCALE#	DRAWN - ___	REVISED - ___			785	(132-2,3,4, 133-1RS)	MADISON	122	77	
	PLOT DATE = #DATE#	CHECKED - ___	REVISED - ___			<b>CONTRACT NO. 76B80</b>					
		DATE - _____	REVISED - ___			FED. ROAD DIST. NO. - ILLINOIS FED. AID PROJECT					
				SCALE: _____ SHEET NO. ___ OF ___ SHEETS STA. _____ TO STA. _____							



SN 060-0091  
WOODRIVER CREEK  
STRUCTURE

CONC. PARAPET WALL

TRAFFIC BARRIER TERMINAL  
TYPE 6

SPBGR T-A 6' POSTS (75')

OLD FOSTERBURG ROAD  
GAS STATION ENTRANCE

IL 140/111

TRAFFIC BARRIER TERMINAL,  
TYPE 1 SPECIAL, TANGENT

LOCATION 2

TERMINAL MARKER -DIRECT APPLIED (1 EACH)  
GUARDRAIL MARKERS, TYPE A (4 EACH)

FILE NAME = #FILEL#	USER NAME = #USER#	DESIGNED - ___	REVISED - ___	<b>STATE OF ILLINOIS DEPARTMENT OF TRANSPORTATION</b>	<b>DETAILS (GUARDRAIL LOCATION 2)</b>	F.A.P. RTE.	SECTION	COUNTY	TOTAL SHEETS	SHEET NO.
	PLOT SCALE = #SCALE#	CHECKED - ___	REVISED - ___			785	(132-2,3,4, 133-1)RS	MADISON	122	78
	PLOT DATE = #DATE#	DATE - _____	REVISED - ___			CONTRACT NO. 76B80			FED. ROAD DIST. NO. _ ILLINOIS FED. AID PROJECT	
SCALE: _____ SHEET NO. ___ OF ___ SHEETS STA. _____ TO STA. _____										



STANLEY ROAD

IMPACT ATTENUATORS,  
(FULLY REDIRECTIVE, NARROW),  
TEST LEVEL 3

IMPACT ATTENUATORS,  
(FULLY REDIRECTIVE, NARROW),  
TEST LEVEL 3

MEDIAN CROSSOVER

IL 140/111 WB

IL 140/111 EB

SPBGR T-D (175')

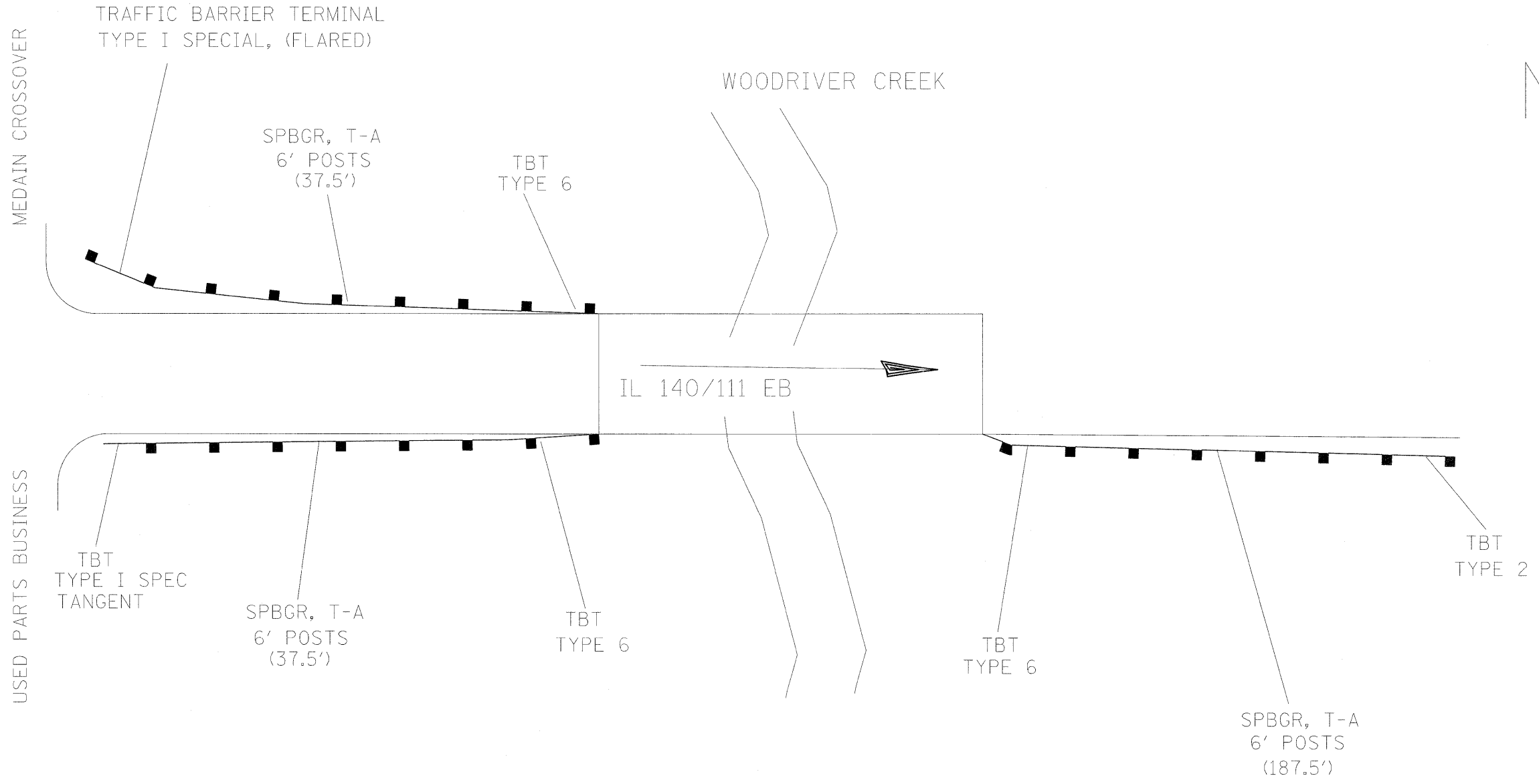
5'

LOCATION 3

NOTE: THE WESTERN IMPACT ATTENUATOR SHALL EXTEND IN THE CURBED AREA.  
THEREFORE, THE LENGTH OF SPBGR T-D, MAY CHANGE DUE TO THE SELECTION  
OF IMPACT ATTENUATOR.

GUARDRAIL MARKERS, TYPE A (10 EACH)

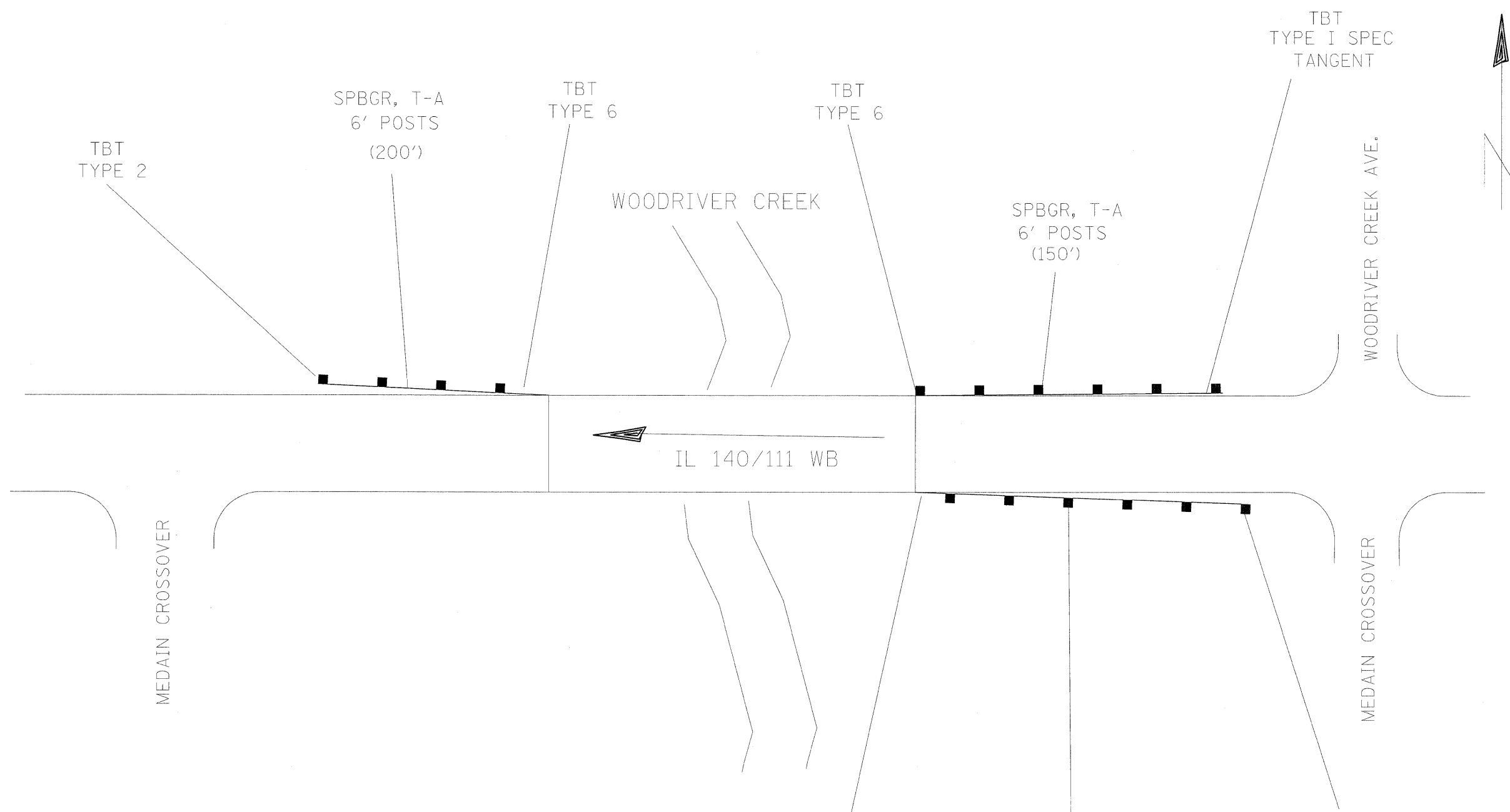
FILE NAME = #FILE#	USER NAME = #USER#	DESIGNED -	REVISED -	<b>STATE OF ILLINOIS DEPARTMENT OF TRANSPORTATION</b>	<b>DETAILS (GUARDRAIL LOCATION 3)</b>			F.A.P. RTE.	SECTION	COUNTY	TOTAL SHEETS	SHEET NO.
	PLOT SCALE = #SCALE#	DRAWN -	REVISED -					785	(132-2,3,4, 133-1RS)	MADISON	122	79
	PLOT DATE = #DATE#	CHECKED -	REVISED -					CONTRACT NO. 76B80				
				SCALE: _____		SHEET NO. ___ OF ___ SHEETS		STA. _____ TO STA. _____		FED. ROAD DIST. NO. - ILLINOIS FED. AID PROJECT		



LOCATION 4A  
 STA. 211+96 TO STA. 213+74  
 EASTBOUND

TERMINAL MARKER -DIRECT APPLIED (3 EACH)  
 GUARDRAIL MARKERS, TYPE A (14 EACH)

FILE NAME =	USER NAME = #USER#	DESIGNED -	REVISED -	<b>STATE OF ILLINOIS DEPARTMENT OF TRANSPORTATION</b>	<b>DETAILS (GUARDRAIL LOCATION 4A)</b>	F.A.P. RTE.	SECTION	COUNTY	TOTAL SHEETS	SHEET NO.	
#FILEL#		DRAWN -	REVISED -			785	(132-2,3,4, 133-1RS)	MADISON	122	80	
PLOT SCALE = #SCALE#		CHECKED -	REVISED -			<b>CONTRACT NO. 76B80</b>					
PLOT DATE = #DATE#		DATE -	REVISED -			FED. ROAD DIST. NO. - ILLINOIS FED. AID PROJECT					
					SCALE: _____	SHEET NO. ___ OF ___ SHEETS		STA. _____ TO STA. _____			



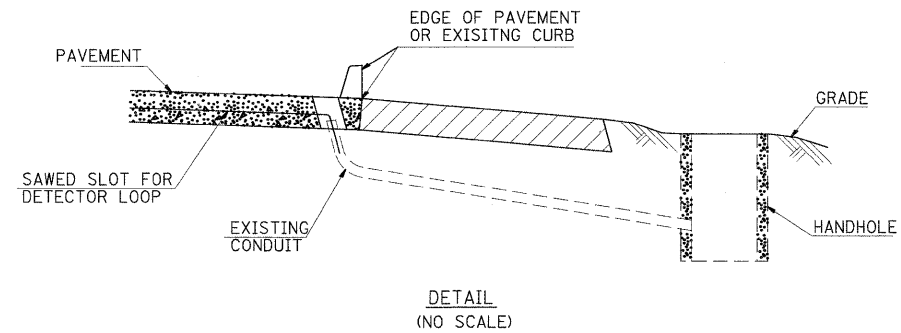
LOCATION 4B  
 STA. 211+96 TO STA. 213+74  
 WESTBOUND

TERMINAL MARKER -DIRECT APPLIED (3 EACH)  
 GUARDRAIL MARKERS, TYPE A (16 EACH)

FILE NAME - #FILE#	USER NAME = #USER#	DESIGNED - ___	REVISED - ___	<b>STATE OF ILLINOIS DEPARTMENT OF TRANSPORTATION</b>	<b>DETAILS (GUARDRAIL LOCATION 4B)</b>		F.A.P. RTE.	SECTION	COUNTY	TOTAL SHEETS	SHEET NO.
	PLOT SCALE = #SCALE#	DRAWN - ___	REVISED - ___				785	(132-2,3,4, 133-1RS)	MADISON	122	81
	PLOT DATE = #DATE#	CHECKED - ___	REVISED - ___				CONTRACT NO. 76B80				
			DATE - _____	REVISED - ___	SCALE: _____	SHEET NO. ___ OF ___ SHEETS	STA. _____ TO STA. _____	FED. ROAD DIST. NO. ILLINOIS FED. AID PROJECT			

ELECTRICAL QUANTITIES:

CODE NO.	DESCRIPTION	UNIT	QUANTITY
<del>88600600</del>	DETECTOR LOOP REPLACEMENT	FOOT	6263
<del>80300100</del>	LOCATING UNDER GROUND CABLE	FOOT	345



RE-USE EXISTING DETECTOR LOOP LEAD-IN CABLE IN CONDUIT

- 1 LOCATE UNDERGROUND CABLE FROM HAND HOLE TO PAVEMENT.
- 2 DRILL OUT PAVEMENT SEALANT AND CLEAN EXISTING CONDUIT.
- 3 REMOVE EXISTING LEAD-IN CONDUCTORS TO HANDHOLE.
- 4 INSTALL LOOP LEAD-IN CONDUCTORS IN EXISTING CONDUIT.
- 5 SPLICE NEW DETECTOR LOOP LEAD-IN CONDUCTORS TO EXISTING LEAD-IN CABLE IN HANDHOLE.
- 6 FILL HOLE WITH APPROVED SEALER. PREVENT SEALER FROM ENTERING INTO CONDUIT.

THE COST OF THIS WORK SHALL BE INCLUDED IN THE PAY ITEM "DETECTOR LOOP REPLACEMENT", EXCEPT LOCATE UNDERGROUND CABLE IS A SEPARATE PAY ITEM.

ELECTRICAL GENERAL NOTES:

THE EXISTING DETECTOR LOOP CONDUIT FROM PAVEMENT TO THE HANDHOLE WILL BE RE-USED FOR THE REPLACED DETECTOR LOOP. THE CONTRACTOR WILL BE RESPONSIBLE FOR PROTECTING THE EXISTING CONDUIT DURING THE CONSTRUCTION OPERATION. SHOULD ANY DAMAGE OCCURE DUE TO THE CONTRACTOR'S OPERATIONS, REPAIRS WILL BE MADE TO THE SATISFACTION OF THE ENGINEER AND WILL BE DONE AT THE CONTRACTOR'S EXPENSE.

THE QUANTITY SHOWN FOR DETECTOR LOOP REPLACEMENT AND LOCATING UNDERGROUND CABLE ARE APPROXIMATE. ONLY DAMAGED/NONFUNCTIONAL LOOP WILL BE REPLACED AND QUANTITY SHALL BE ADJUSTED ACCORDINGLY.

THE PROPOSED DETECTOR LOOPS SHALL BE PLACED IN THE BINDER COURSE PRIOR TO RESURFACING.

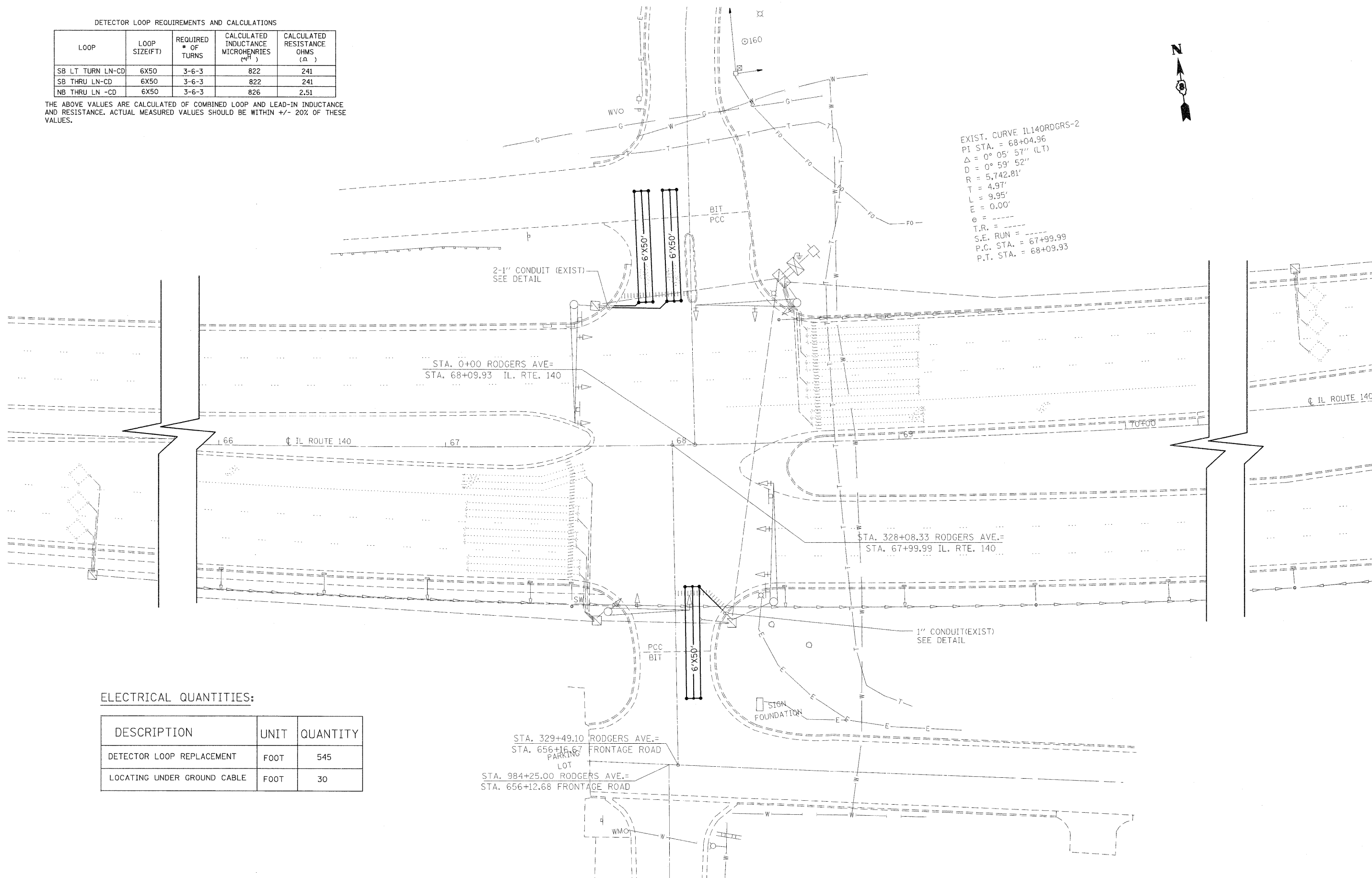
FILE NAME =	USER NAME = #USER#	DESIGNED -	REVISED -	<b>STATE OF ILLINOIS DEPARTMENT OF TRANSPORTATION</b>	<b>DETECTOR LOOP REPLACEMENT</b>	F.A.P. RTE.	SECTION	COUNTY	TOTAL SHEETS	SHEET NO.	
#FILEL#		DRAWN -	REVISED -			785	(132-2,3,4, 133-1RS)	MADISON	122	82	
	PLOT SCALE = #SCALE#	CHECKED -	REVISED -			CONTRACT #76B80					
	PLOT DATE = #DATE#	DATE -	REVISED -			SCALE: _____	SHEET NO. 1 OF 8 SHEETS	STA. _____	TO STA. _____	FED. ROAD DIST. NO. ILLINOIS FED. AID PROJECT	

DETECTOR LOOP REQUIREMENTS AND CALCULATIONS

LOOP	LOOP SIZE(FT)	REQUIRED * OF TURNS	CALCULATED INDUCTANCE MICROHENRIES (μH)	CALCULATED RESISTANCE OHMS (Ω)
SB LT TURN LN-CD	6X50	3-6-3	822	241
SB THRU LN-CD	6X50	3-6-3	822	241
NB THRU LN -CD	6X50	3-6-3	826	2,51

THE ABOVE VALUES ARE CALCULATED OF COMBINED LOOP AND LEAD-IN INDUCTANCE AND RESISTANCE. ACTUAL MEASURED VALUES SHOULD BE WITHIN +/- 20% OF THESE VALUES.

EXIST. CURVE IL140RDGRS-2  
 PI STA. = 68+04.96  
 Δ = 0° 05' 57" (LT)  
 D = 0° 59' 52"  
 R = 5,742.81'  
 T = 4.97'  
 L = 9.95'  
 E = 0.00'  
 e =  
 T.R. =  
 S.E. RUN =  
 P.C. STA. = 67+99.99  
 P.T. STA. = 68+09.93



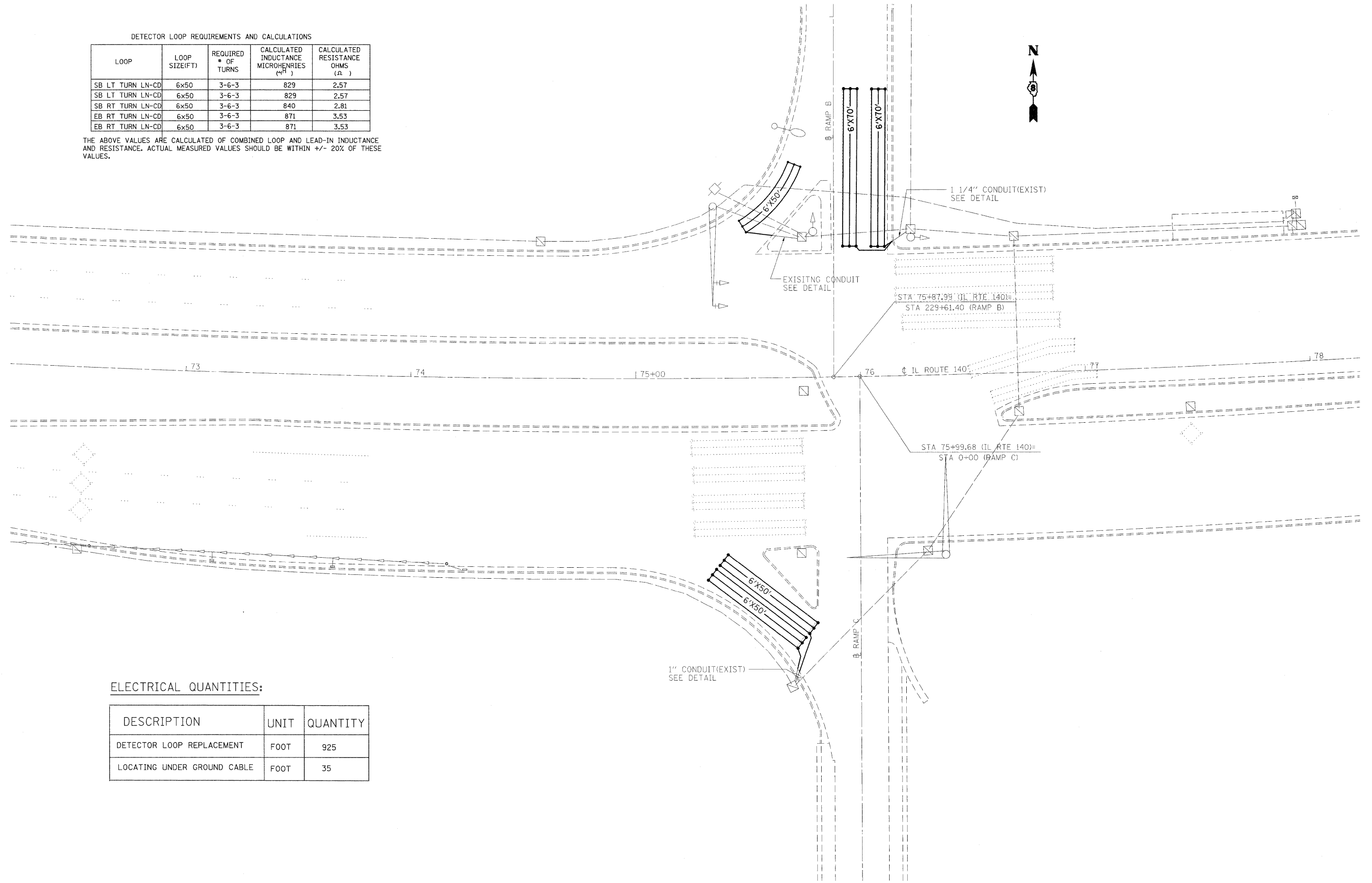
ELECTRICAL QUANTITIES:

DESCRIPTION	UNIT	QUANTITY
DETECTOR LOOP REPLACEMENT	FOOT	545
LOCATING UNDER GROUND CABLE	FOOT	30

DETECTOR LOOP REQUIREMENTS AND CALCULATIONS

LOOP	LOOP SIZE(FT)	REQUIRED # OF TURNS	CALCULATED INDUCTANCE MICROHENRIES (μH)	CALCULATED RESISTANCE OHMS (Ω)
SB LT TURN LN-CD	6x50	3-6-3	829	2.57
SB LT TURN LN-CD	6x50	3-6-3	829	2.57
SB RT TURN LN-CD	6x50	3-6-3	840	2.81
EB RT TURN LN-CD	6x50	3-6-3	871	3.53
EB RT TURN LN-CD	6x50	3-6-3	871	3.53

THE ABOVE VALUES ARE CALCULATED OF COMBINED LOOP AND LEAD-IN INDUCTANCE AND RESISTANCE. ACTUAL MEASURED VALUES SHOULD BE WITHIN +/- 20% OF THESE VALUES.



ELECTRICAL QUANTITIES:

DESCRIPTION	UNIT	QUANTITY
DETECTOR LOOP REPLACEMENT	FOOT	925
LOCATING UNDER GROUND CABLE	FOOT	35

FILE NAME =	USER NAME = #USER#	DESIGNED -	REVISED -
#FILE#		DRAWN -	REVISED -
		CHECKED -	REVISED -
		DATE -	REVISED -

STATE OF ILLINOIS  
DEPARTMENT OF TRANSPORTATION

DETECTOR LOOP REPLACEMENT

SCALE: SHEET NO. 3 OF 9 SHEETS STA. TO STA.

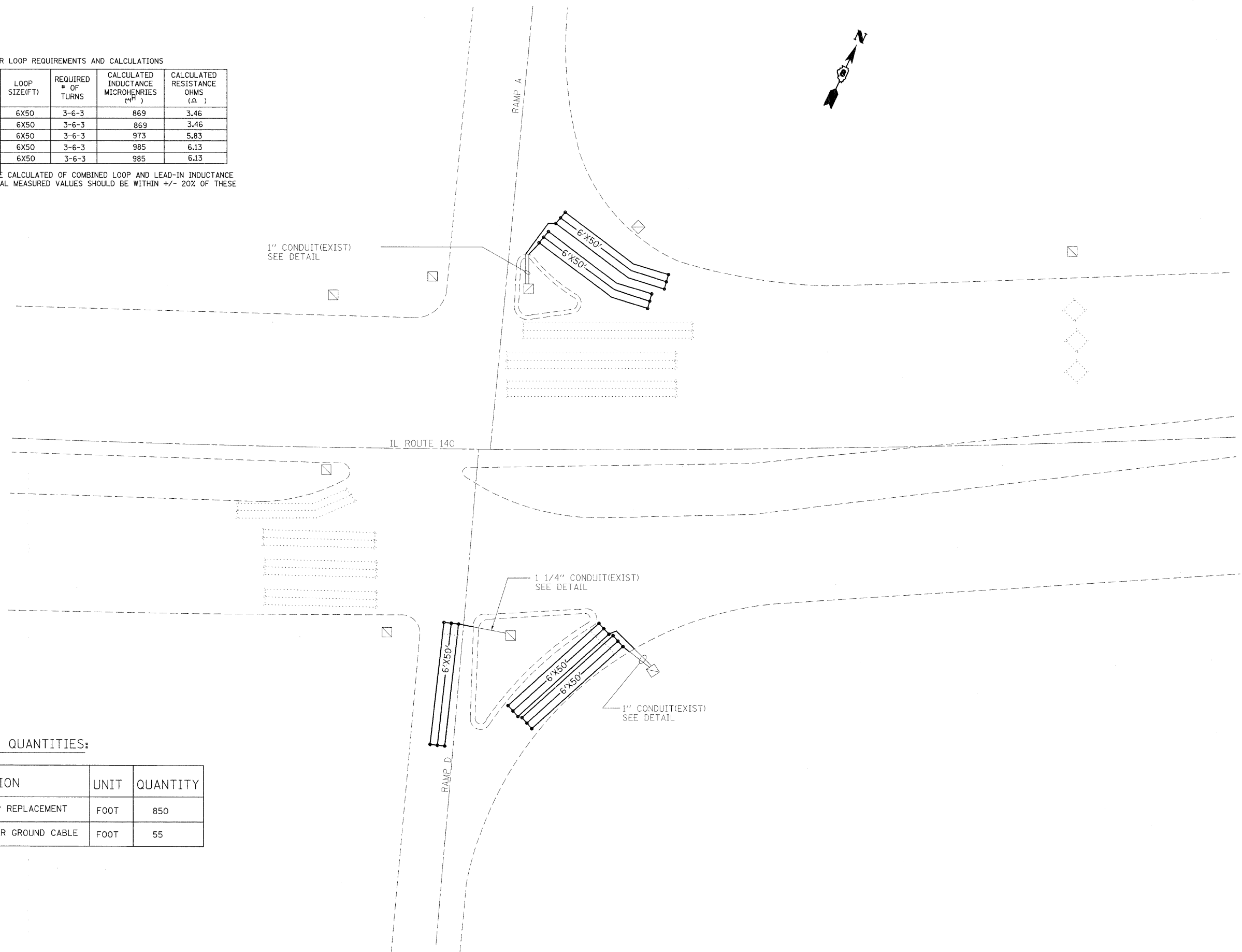
F.A.P. RTE.	SECTION	COUNTY	TOTAL SHEETS	SHEET NO.
785	(132-2,3,4, 133-1RS)	MADISON	122	84
CONTRACT NO. 76B80				
FED. ROAD DIST. NO. ILLINOIS FED. AID PROJECT				



DETECTOR LOOP REQUIREMENTS AND CALCULATIONS

LOOP	LOOP SIZE(FT)	REQUIRED # OF TURNS	CALCULATED INDUCTANCE MICROHENRIES (μH)	CALCULATED RESISTANCE OHMS (Ω)
WB RT TURN LN-CD	6X50	3-6-3	869	3.46
WB RT TURN LN-CD	6X50	3-6-3	869	3.46
NB LT TURN LN-CD	6X50	3-6-3	973	5.83
NB RT TURN LN-CD	6X50	3-6-3	985	6.13
NB RT TURN LN-CD	6X50	3-6-3	985	6.13

THE ABOVE VALUES ARE CALCULATED OF COMBINED LOOP AND LEAD-IN INDUCTANCE AND RESISTANCE. ACTUAL MEASURED VALUES SHOULD BE WITHIN +/- 20% OF THESE VALUES.



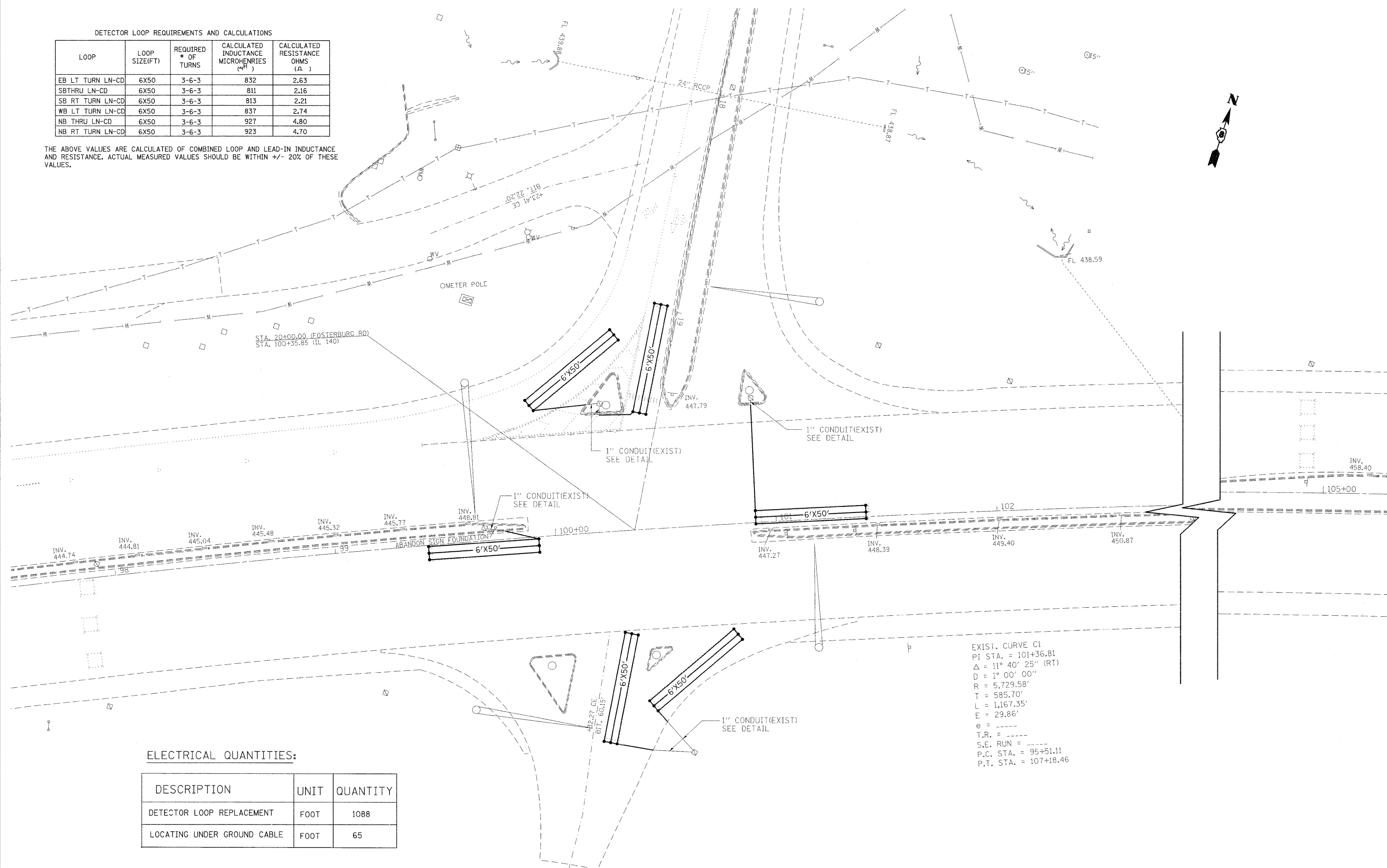
ELECTRICAL QUANTITIES:

DESCRIPTION	UNIT	QUANTITY
DETECTOR LOOP REPLACEMENT	FOOT	850
LOCATING UNDER GROUND CABLE	FOOT	55

DETECTOR LOOP REQUIREMENTS AND CALCULATIONS

LOOP	LOOP SIZE(FT)	REQUIRED # OF TURNS	CALCULATED INDUCTANCE MICROHENRIES (μH)	CALCULATED RESISTANCE OHMS (Ω)
EB LT TURN LN-CD	6X50	3-6-3	832	2.63
SBTHRU LN-CD	6X50	3-6-3	811	2.16
SB RT TURN LN-CD	6X50	3-6-3	813	2.21
WB LT TURN LN-CD	6X50	3-6-3	837	2.74
NB THRU LN-CD	6X50	3-6-3	927	4.80
NB RT TURN LN-CD	6X50	3-6-3	923	4.70

THE ABOVE VALUES ARE CALCULATED OF COMBINED LOOP AND LEAD-IN INDUCTANCE AND RESISTANCE. ACTUAL MEASURED VALUES SHOULD BE WITHIN +/- 20% OF THESE VALUES.



ELECTRICAL QUANTITIES:

DESCRIPTION	UNIT	QUANTITY
DETECTOR LOOP REPLACEMENT	FOOT	1088
LOCATING UNDER GROUND CABLE	FOOT	65

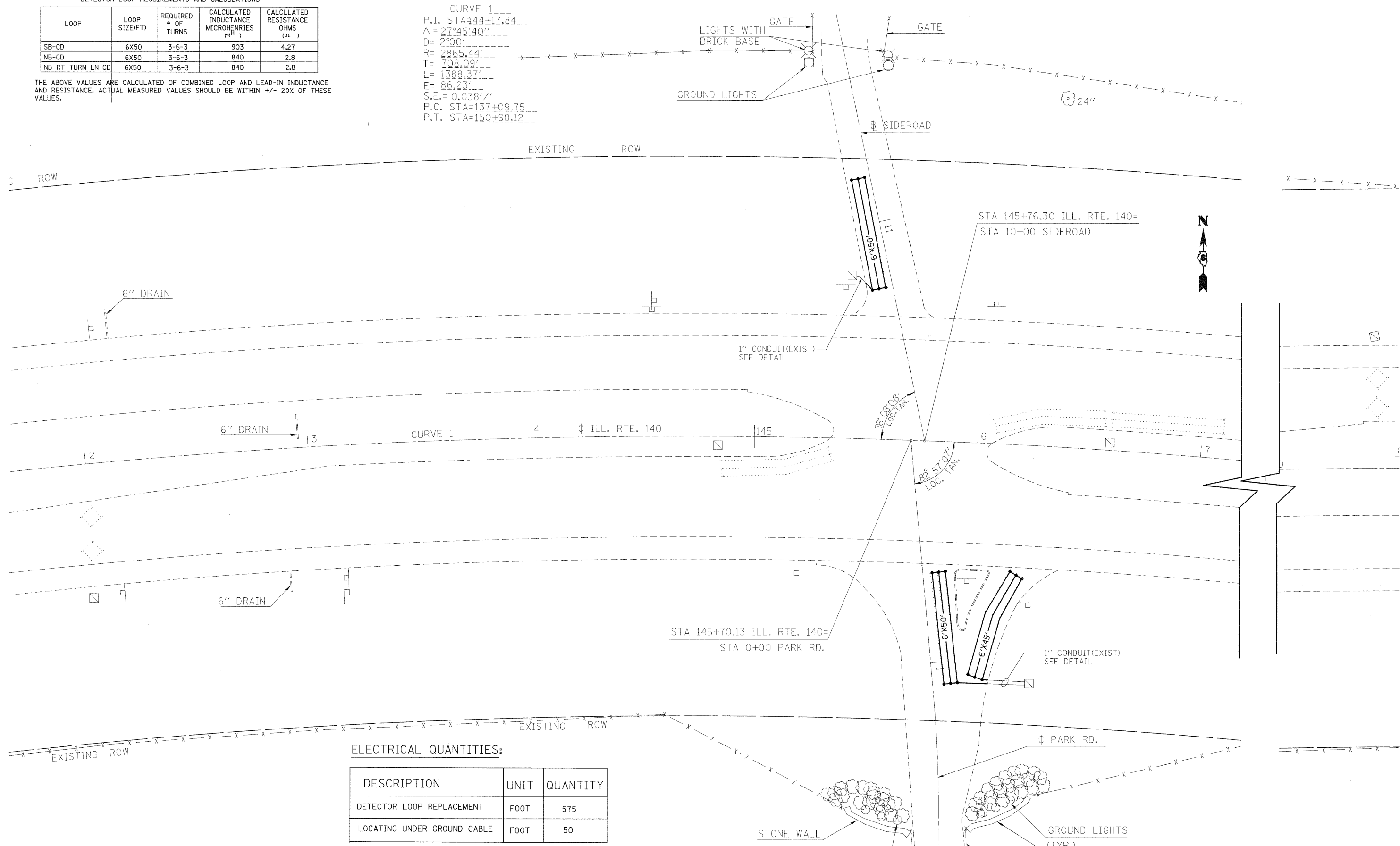
EXIST. CURVE C1  
 PI STA. = 101+36.81  
 $\Delta = 11^\circ 40' 25''$  (RT)  
 $D = 1^\circ 00' 00''$   
 $R = 5,729.58'$   
 $T = 585.70'$   
 $L = 1,167.35'$   
 $E = 29.86'$   
 $e =$   
 $T.R. =$   
 $S.E. RUN =$   
 $P.C. STA. = 95+51.11$   
 $P.T. STA. = 107+18.46$

DETECTOR LOOP REQUIREMENTS AND CALCULATIONS

LOOP	LOOP SIZE(FT)	REQUIRED # OF TURNS	CALCULATED INDUCTANCE MICROHENRIES (μH)	CALCULATED RESISTANCE OHMS (Ω)
SB-CD	6X50	3-6-3	903	4.27
NB-CD	6X50	3-6-3	840	2.8
NB RT TURN LN-CD	6X50	3-6-3	840	2.8

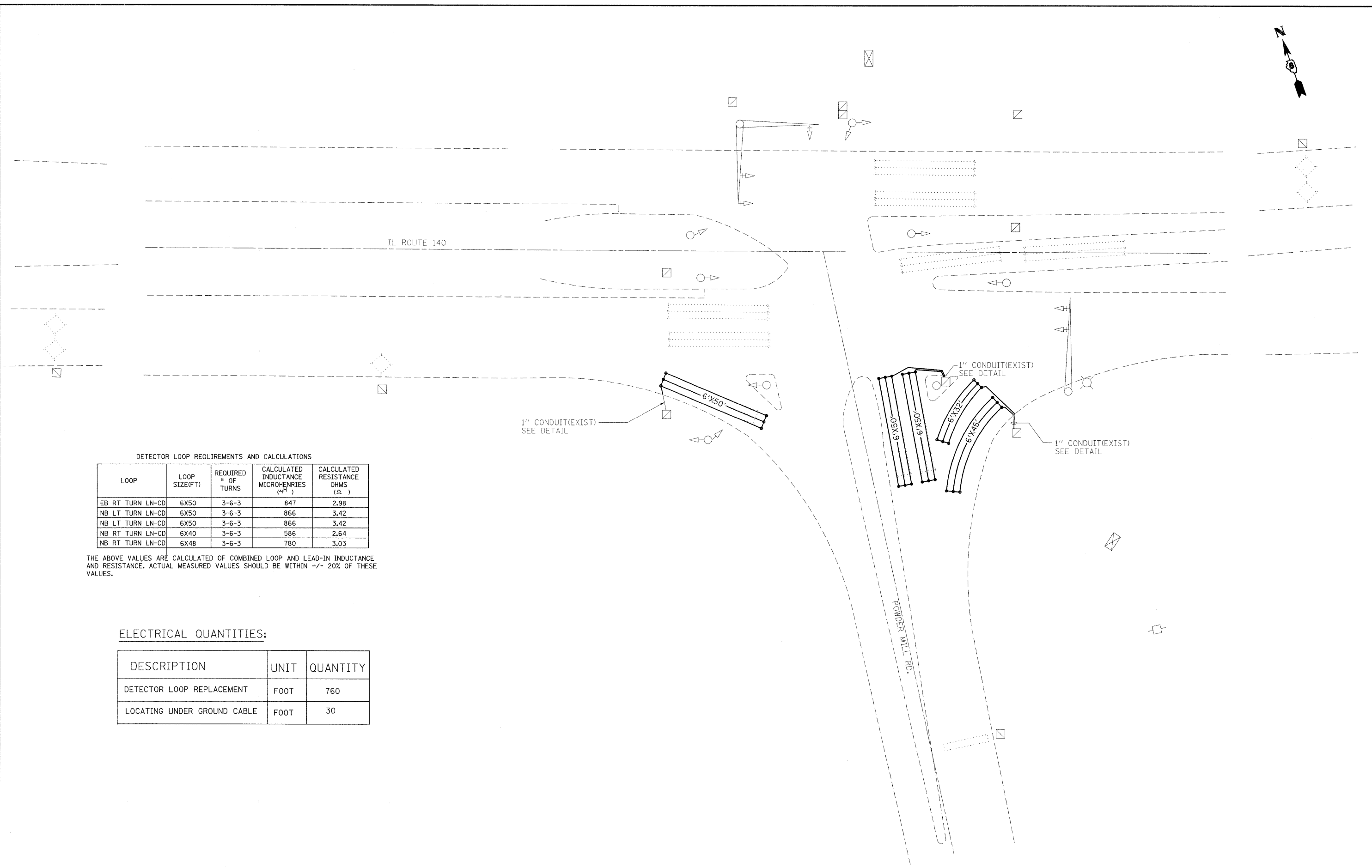
THE ABOVE VALUES ARE CALCULATED OF COMBINED LOOP AND LEAD-IN INDUCTANCE AND RESISTANCE. ACTUAL MEASURED VALUES SHOULD BE WITHIN +/- 20% OF THESE VALUES.

CURVE 1  
 P.I. STA=144+17.84  
 $\Delta = 27^{\circ}45'40''$   
 $D = 2^{\circ}00'$   
 $R = 2865.44'$   
 $T = 708.09'$   
 $L = 1388.37'$   
 $E = 86.23'$   
 $S.E. = 0.038\%$   
 P.C. STA=137+09.75  
 P.T. STA=150+98.12



ELECTRICAL QUANTITIES:

DESCRIPTION	UNIT	QUANTITY
DETECTOR LOOP REPLACEMENT	FOOT	575
LOCATING UNDER GROUND CABLE	FOOT	50



DETECTOR LOOP REQUIREMENTS AND CALCULATIONS

LOOP	LOOP SIZE(FT)	REQUIRED # OF TURNS	CALCULATED INDUCTANCE MICROHENRIES (μH)	CALCULATED RESISTANCE OHMS (Ω)
EB RT TURN LN-CD	6X50	3-6-3	847	2.98
NB LT TURN LN-CD	6X50	3-6-3	866	3.42
NB LT TURN LN-CD	6X50	3-6-3	866	3.42
NB RT TURN LN-CD	6X40	3-6-3	586	2.64
NB RT TURN LN-CD	6X48	3-6-3	780	3.03

THE ABOVE VALUES ARE CALCULATED OF COMBINED LOOP AND LEAD-IN INDUCTANCE AND RESISTANCE. ACTUAL MEASURED VALUES SHOULD BE WITHIN +/- 20% OF THESE VALUES.

ELECTRICAL QUANTITIES:

DESCRIPTION	UNIT	QUANTITY
DETECTOR LOOP REPLACEMENT	FOOT	760
LOCATING UNDER GROUND CABLE	FOOT	30

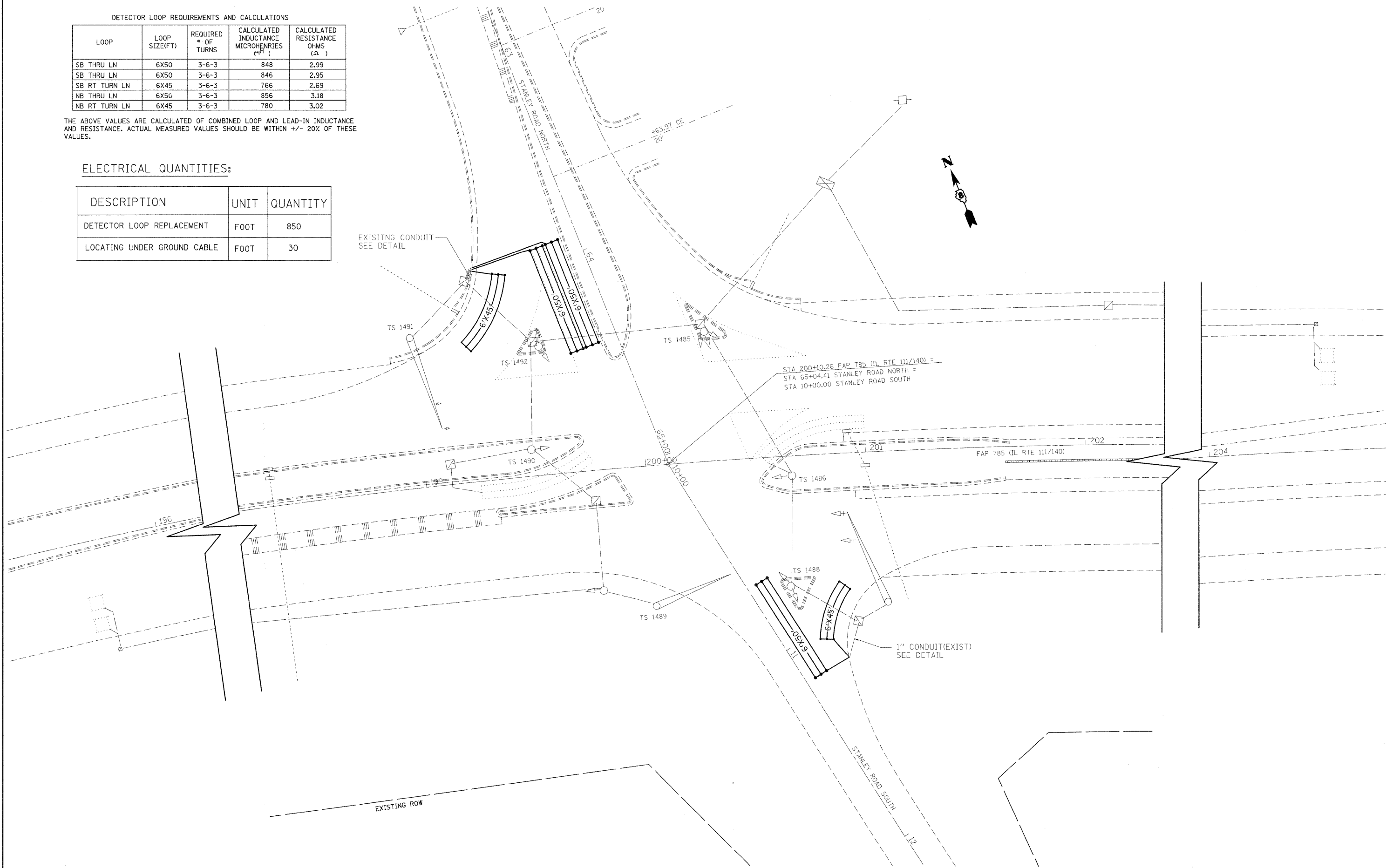
DETECTOR LOOP REQUIREMENTS AND CALCULATIONS

LOOP	LOOP SIZE(FT)	REQUIRED # OF TURNS	CALCULATED INDUCTANCE MICROHENRIES (μH)	CALCULATED RESISTANCE OHMS (Ω)
SB THRU LN	6X50	3-6-3	848	2.99
SB THRU LN	6X50	3-6-3	846	2.95
SB RT TURN LN	6X45	3-6-3	766	2.69
NB THRU LN	6X50	3-6-3	856	3.18
NB RT TURN LN	6X45	3-6-3	780	3.02

THE ABOVE VALUES ARE CALCULATED OF COMBINED LOOP AND LEAD-IN INDUCTANCE AND RESISTANCE. ACTUAL MEASURED VALUES SHOULD BE WITHIN +/- 20% OF THESE VALUES.

ELECTRICAL QUANTITIES:

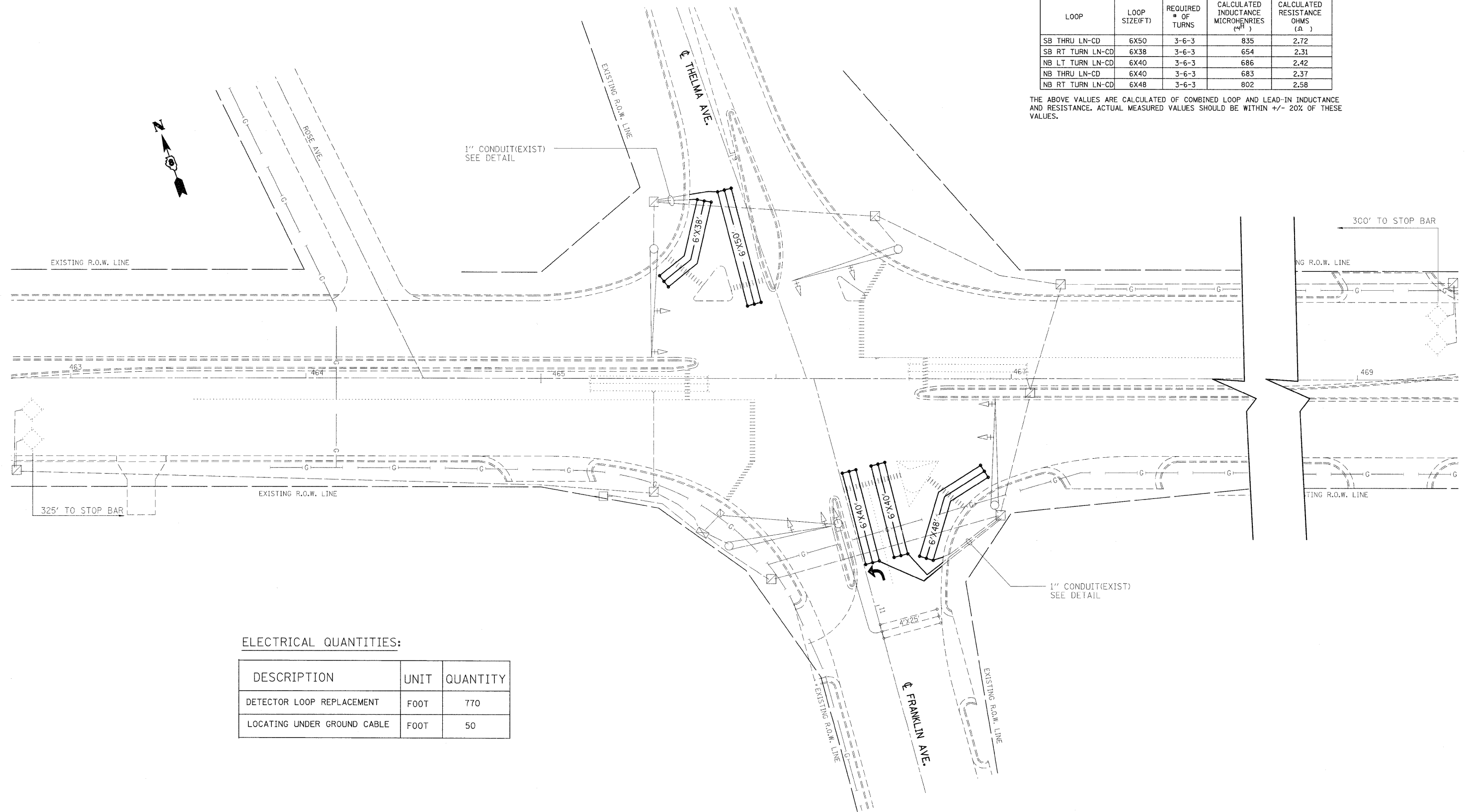
DESCRIPTION	UNIT	QUANTITY
DETECTOR LOOP REPLACEMENT	FOOT	850
LOCATING UNDER GROUND CABLE	FOOT	30



DETECTOR LOOP REQUIREMENTS AND CALCULATIONS

LOOP	LOOP SIZE(FT)	REQUIRED # OF TURNS	CALCULATED INDUCTANCE MICROHENRIES ( $\mu H$ )	CALCULATED RESISTANCE OHMS ( $\Omega$ )
SB THRU LN-CD	6X50	3-6-3	835	2.72
SB RT TURN LN-CD	6X38	3-6-3	654	2.31
NB LT TURN LN-CD	6X40	3-6-3	686	2.42
NB THRU LN-CD	6X40	3-6-3	683	2.37
NB RT TURN LN-CD	6X48	3-6-3	802	2.58

THE ABOVE VALUES ARE CALCULATED OF COMBINED LOOP AND LEAD-IN INDUCTANCE AND RESISTANCE. ACTUAL MEASURED VALUES SHOULD BE WITHIN +/- 20% OF THESE VALUES.

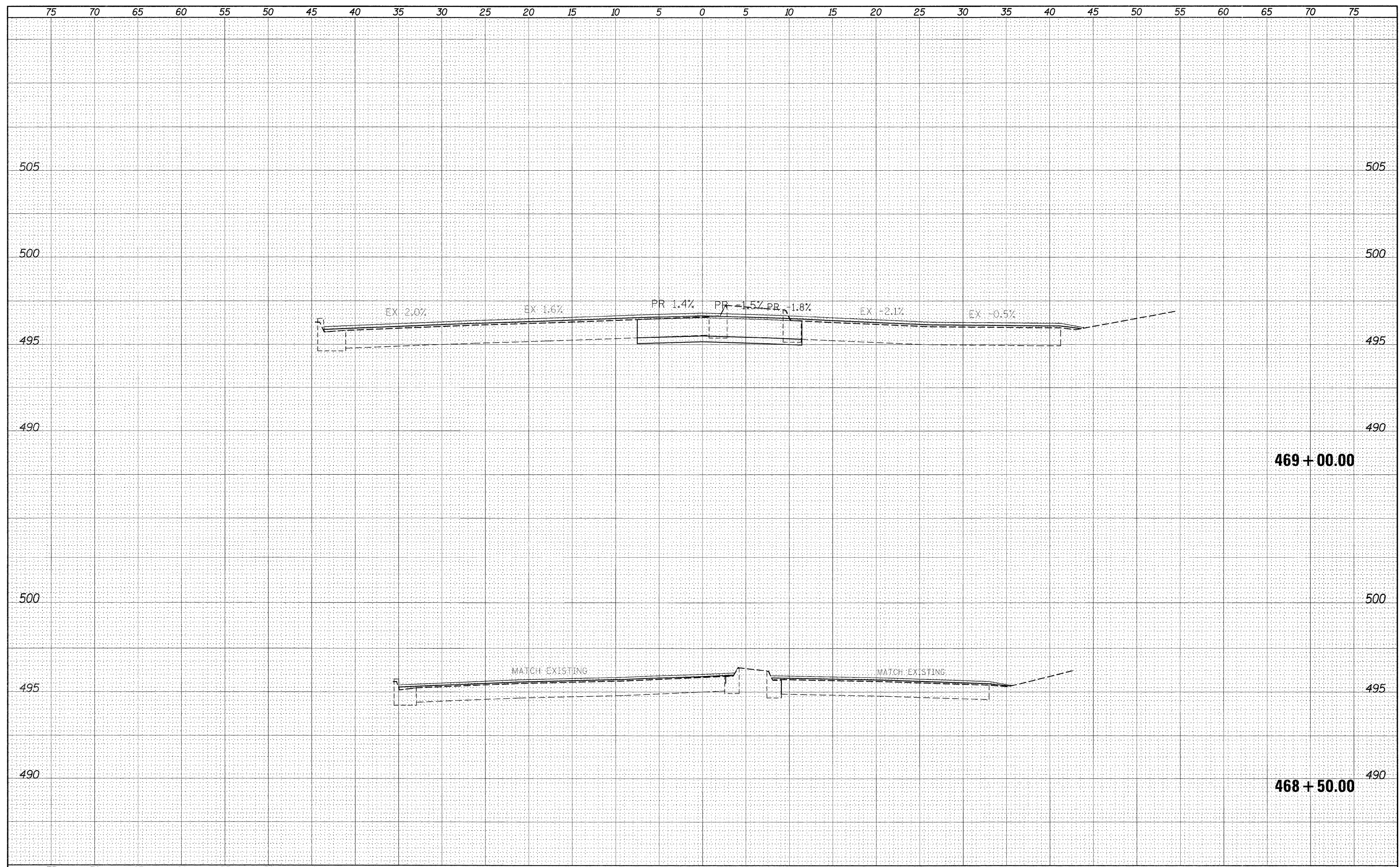


ELECTRICAL QUANTITIES:

DESCRIPTION	UNIT	QUANTITY
DETECTOR LOOP REPLACEMENT	FOOT	770
LOCATING UNDER GROUND CABLE	FOOT	50

DATE	
BY	
DESIGNED	
PLOTTED	
TEMPLATE	
AREAS CHECKED	
FINAL SURVEY	
NOTE BOOK	
NO.	

DATE	
BY	
DESIGNED	
PLOTTED	
TEMPLATE	
AREAS CHECKED	
ORIGINAL SURVEY	
NOTE BOOK	
NO.	

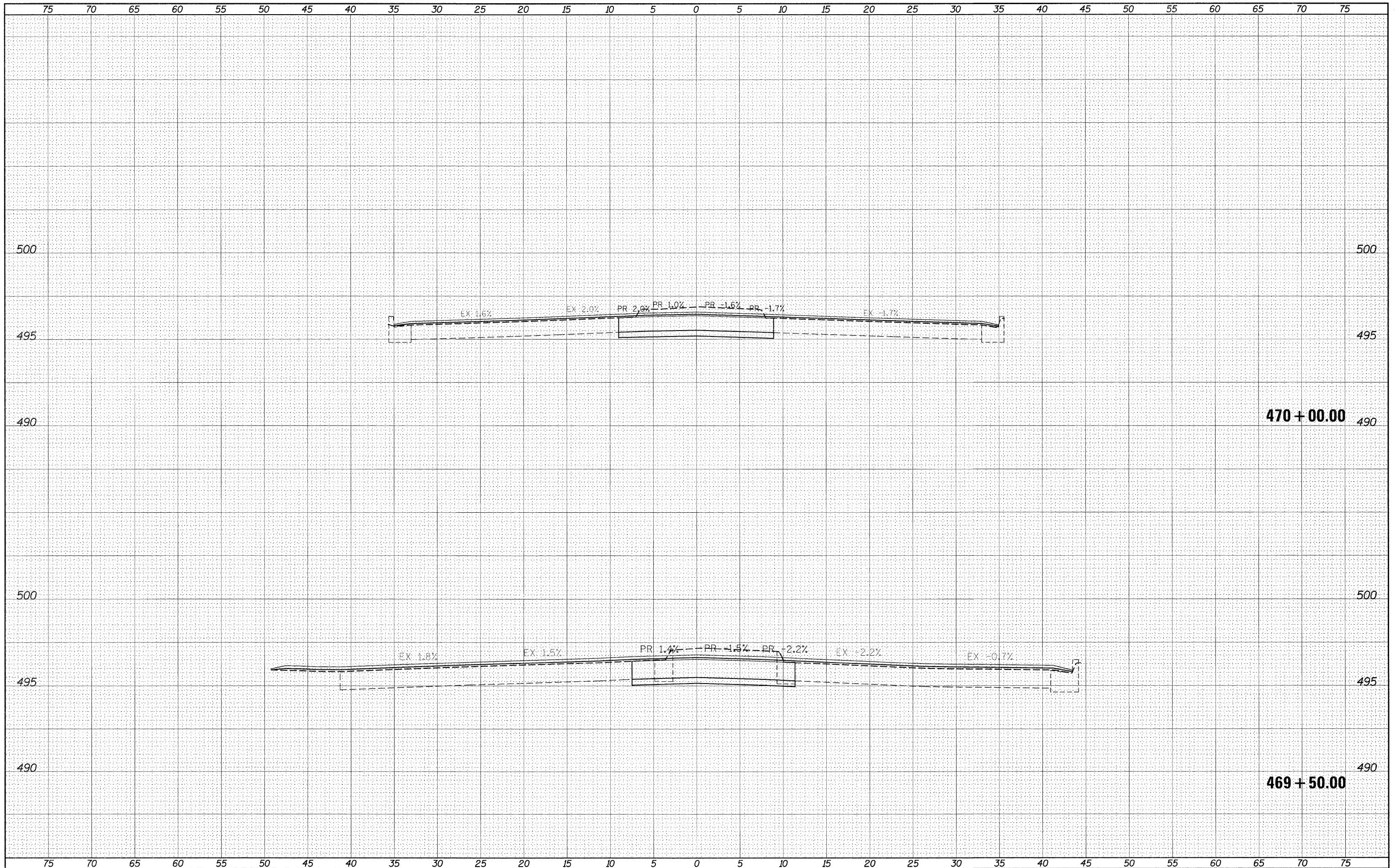


FILE NAME =	USER NAME = #USER#	DESIGNED -	REVISED -	<b>STATE OF ILLINOIS</b> <b>DEPARTMENT OF TRANSPORTATION</b>	<b>IL140/111 CROSS-SECTIONS</b>	FAP RTE.	SECTION	COUNTY	TOTAL SHEETS	SHEET NO.
#FILE#	PLOT SCALE = #SCALE#	DRAWN -	REVISED -			785	(132-2,3,4, 133-1)RS	MADISON	122	91
	PLOT DATE = #DATE#	CHECKED -	REVISED -			CONTRACT NO. 76880		ILLINOIS FED. AID PROJECT		
				SCALE: _____ SHEET NO. ___ OF ___ SHEETS STA. 468+50.00 TO STA. 469+00.00						



DATE	
BY	
CHECKED	
PLOTTED	
TEMPLATE	
NOTE BOOK	
AREAS CHECKED	
NO.	

DATE	
BY	
CHECKED	
PLOTTED	
TEMPLATE	
NOTE BOOK	
AREAS CHECKED	
NO.	

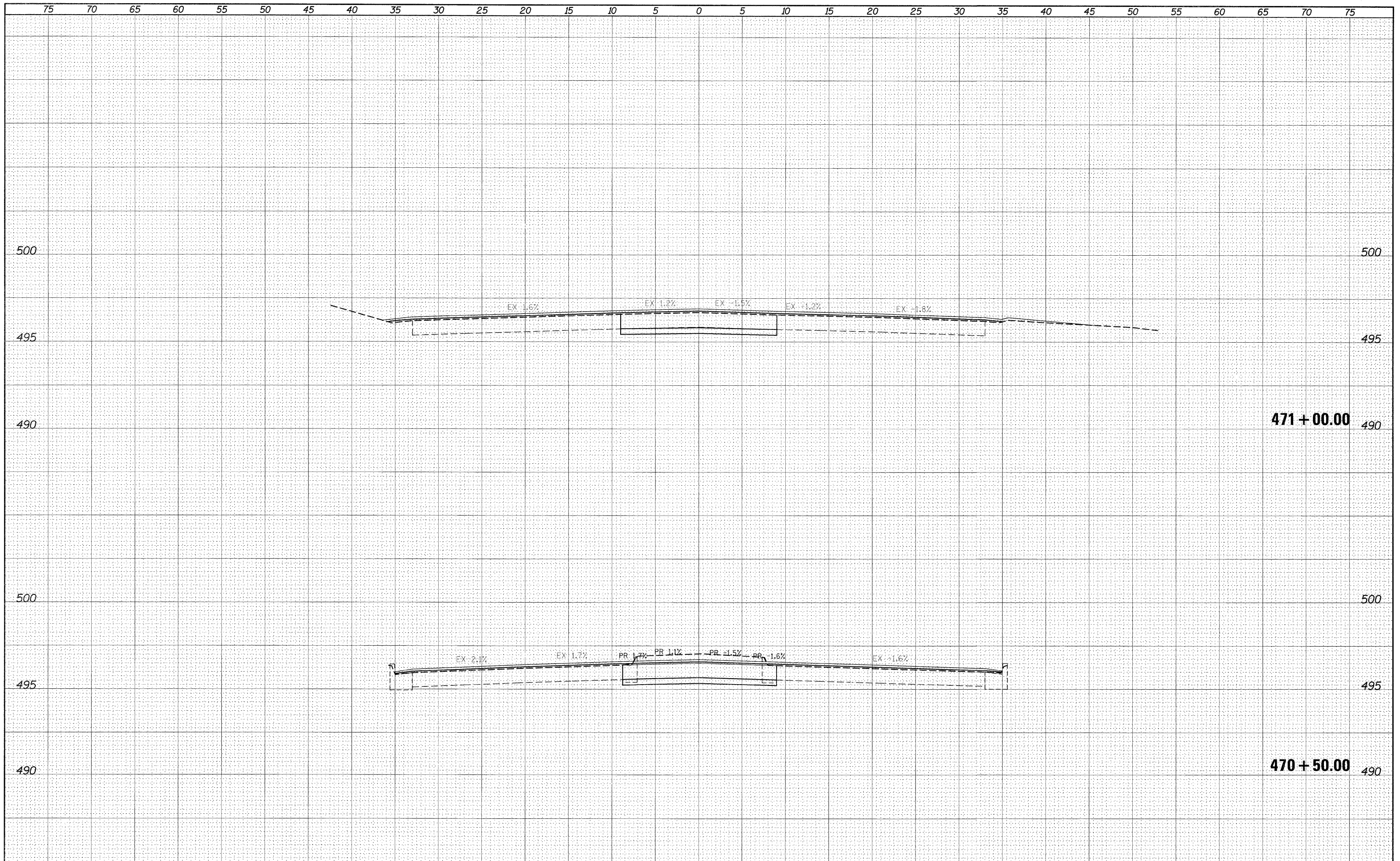


FILE NAME =	USER NAME = #USER*	DESIGNED -	REVISED -	<b>STATE OF ILLINOIS DEPARTMENT OF TRANSPORTATION</b>	<b>IL140/111 CROSS-SECTIONS</b>	FAP RTE.	SECTION	COUNTY	TOTAL SHEETS	SHEET NO.	
#FILE#		DRAWN -	REVISED -			785	(132-2,3,4, 133-1)RS	MADISON	122	92	
PLOT SCALE = #SCALE*		CHECKED -	REVISED -			SCALE: _____ SHEET NO. __ OF ___ SHEETS		CONTRACT NO. 76880		ILLINOIS FED. AID PROJECT	
PLOT DATE = #DATE*		DATE -	REVISED -			STA. 469+50.00 TO STA. 470+00.00					



DATE	
BY	
DESIGNED	
DRAWN	
CHECKED	
DATE	
REVISIONS	
NO.	

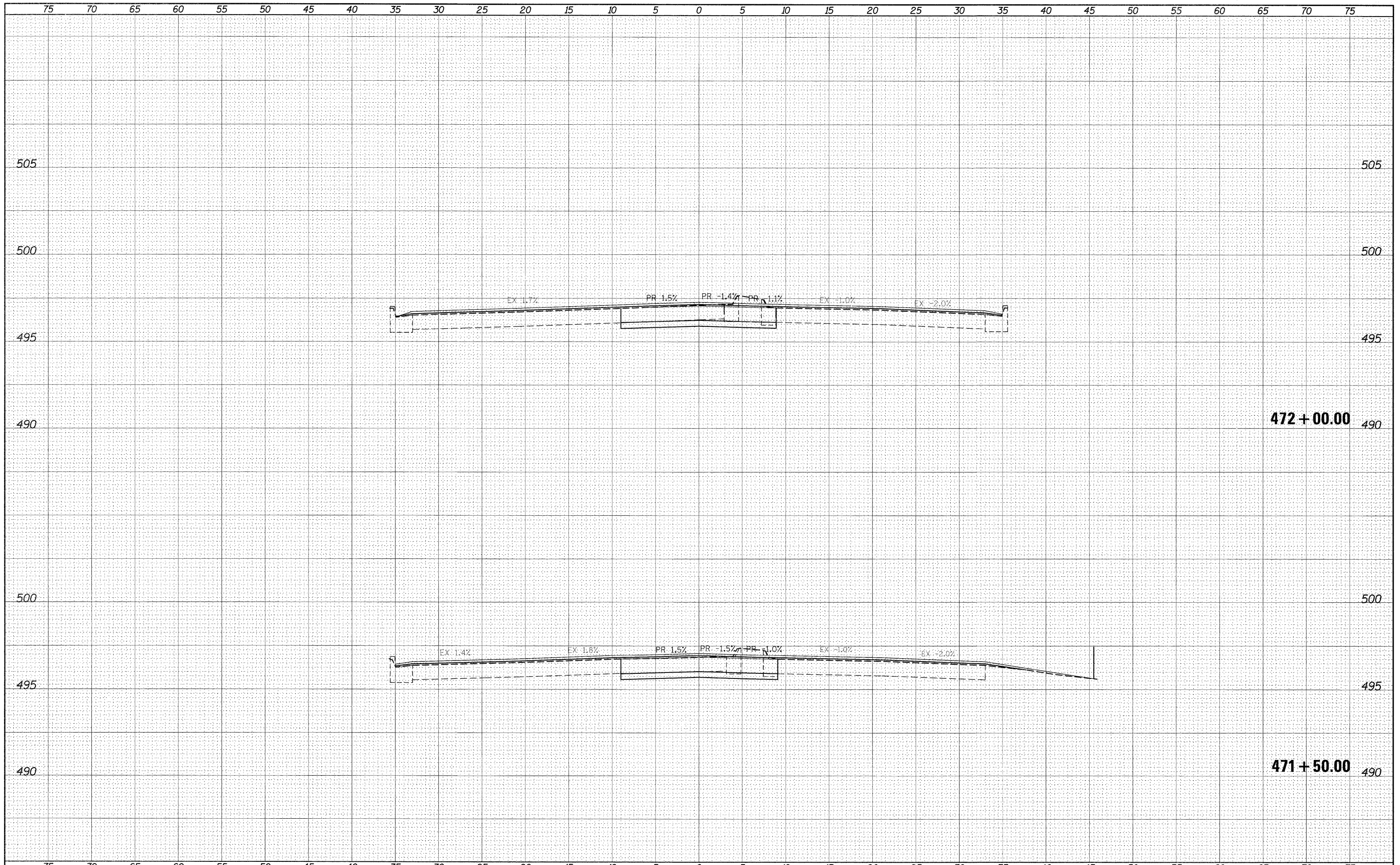
DATE	
BY	
DESIGNED	
DRAWN	
CHECKED	
DATE	
REVISIONS	
NO.	



FILE NAME =	USER NAME = #USER#	DESIGNED -	REVISED -	<b>STATE OF ILLINOIS DEPARTMENT OF TRANSPORTATION</b>	<b>IL140/111 CROSS-SECTIONS</b>			FAP RTE.	SECTION	COUNTY	TOTAL SHEETS	SHEET NO.
#FILE#	PLOT SCALE = #SCALE#	DRAWN -	REVISED -					785	(132-2,3,4, 133-1)RS	MADISON	122	93
	PLOT DATE = #DATE#	CHECKED -	REVISED -		SCALE: _____ SHEET NO. ___ OF ___ SHEETS STA. 470+50.00 TO STA. 471+00.00			<b>CONTRACT NO. 76880</b>				
		DATE -	REVISED -		ILLINOIS FED. AID PROJECT							

DATE	
BY	
DESIGNED	
PLOTTED	
TEMPLATE	
AREAS	
CHECKED	
FINAL SURVEY	
NOTE BOOK	
NO.	

DATE	
BY	
DESIGNED	
PLOTTED	
TEMPLATE	
AREAS	
CHECKED	
ORIGINAL SURVEY	
NOTE BOOK	
NO.	

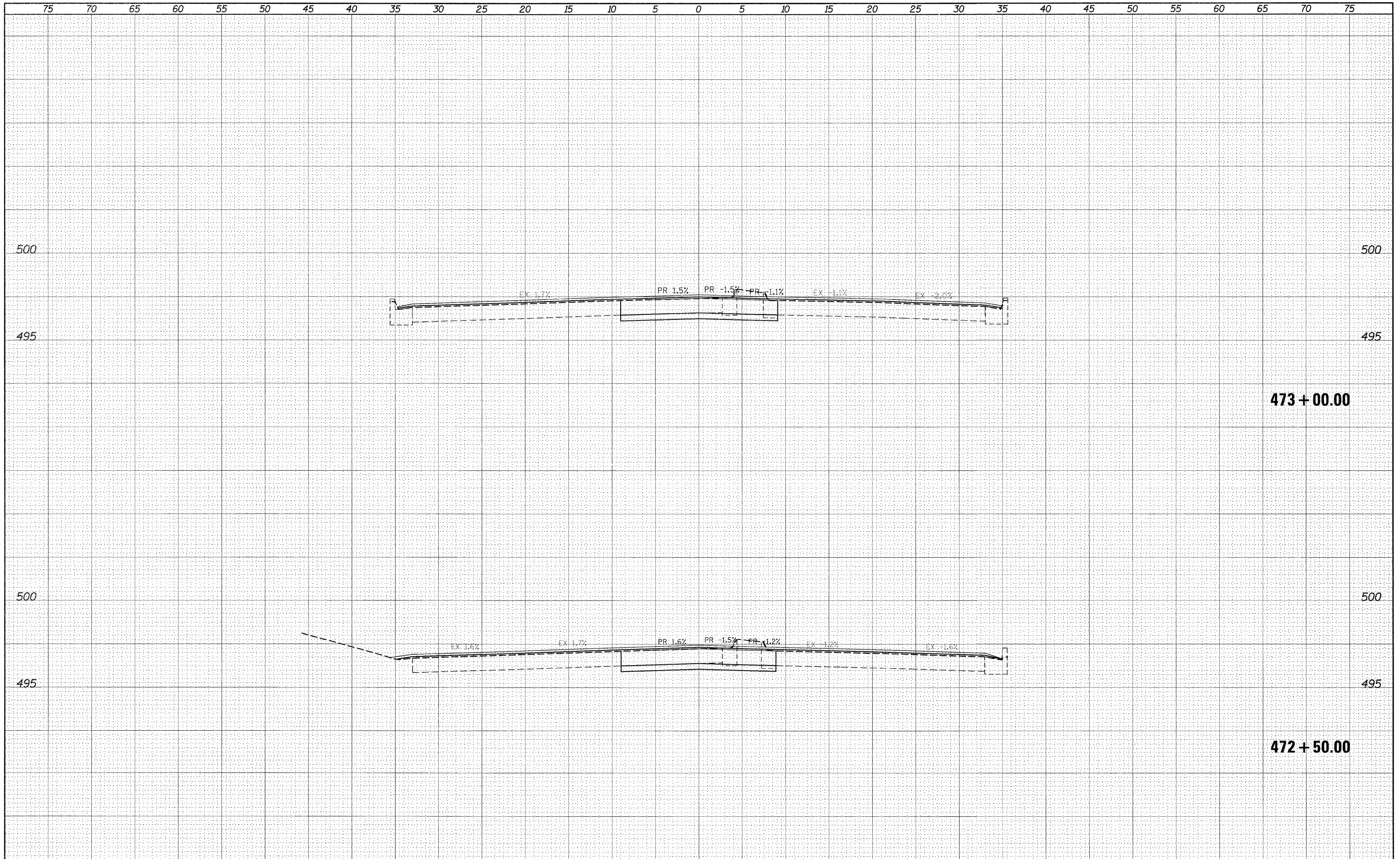


FILE NAME =	USER NAME = #USER#	DESIGNED -	REVISED -	<b>STATE OF ILLINOIS DEPARTMENT OF TRANSPORTATION</b>	<b>IL140/111 CROSS-SECTIONS</b>	FAP RTE.	SECTION	COUNTY	TOTAL SHEETS	SHEET NO.	
#FILEL#	PLOT SCALE = #SCALE#	DRAWN -	REVISED -			785	(132-2,3,4, 133-1)RS	MADISON	122	94	
	PLOT DATE = #DATE#	CHECKED -	REVISED -			CONTRACT NO. 76B80					
		DATE -	REVISED -			ILLINOIS FED. AID PROJECT					
					SCALE: _____	SHEET NO. ___ OF ___ SHEETS		STA. 471+50.00 TO STA. 472+00.00			



DATE	
BY	
FINAL SURVEY	
PLOTTED	
NOTE BOOK	
NO.	
TEMPLATE	
AREAS	
CHECKED	

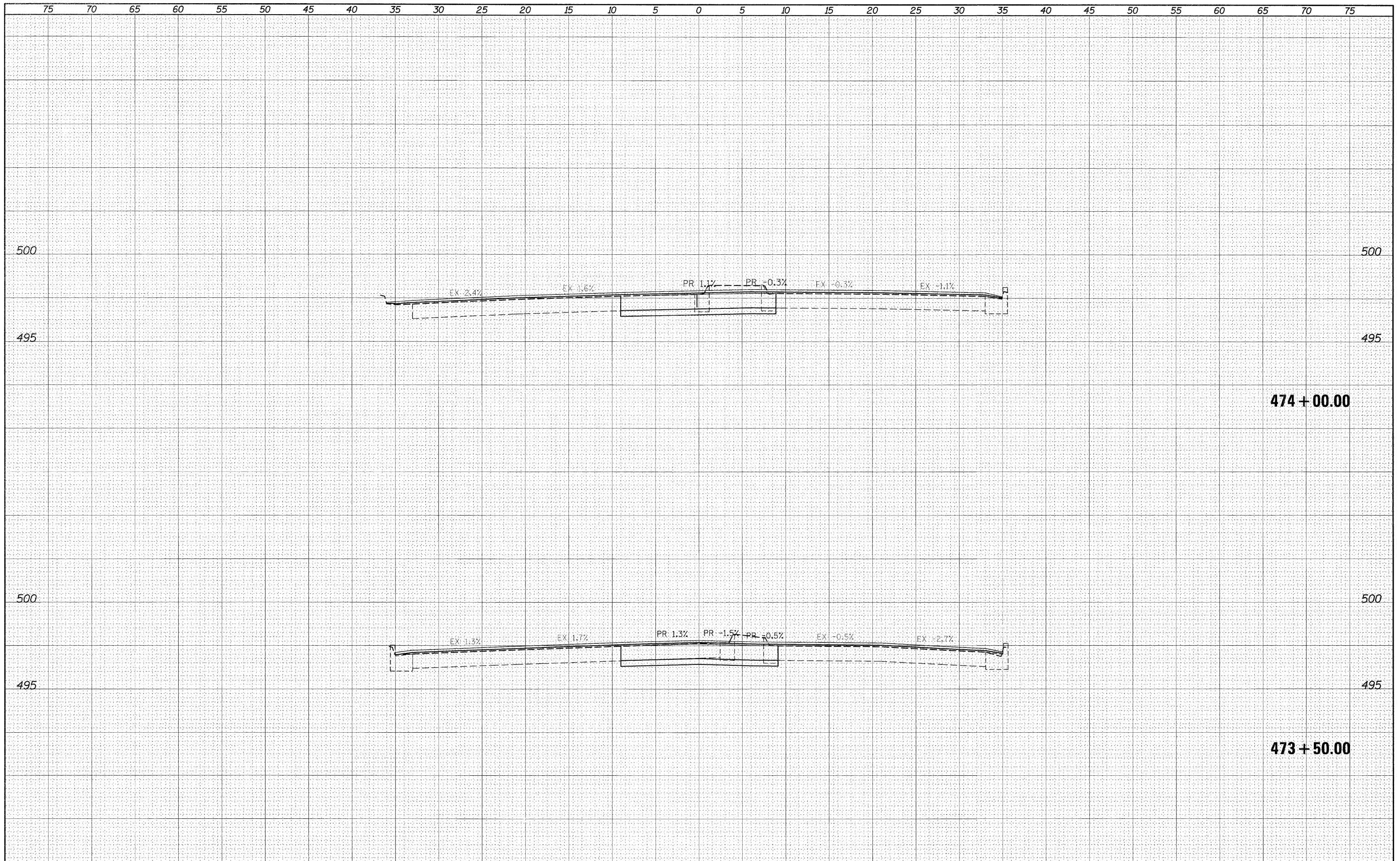
DATE	
BY	
ORIGINAL SURVEY	
PLOTTED	
NOTE BOOK	
NO.	
TEMPLATE	
AREAS	
CHECKED	



FILE NAME =	USER NAME = #USER#	DESIGNED -	REVISED -	<b>STATE OF ILLINOIS DEPARTMENT OF TRANSPORTATION</b>	<b>IL140/111 CROSS-SECTIONS</b>			FAP RTE.	SECTION	COUNTY	TOTAL SHEETS	SHEET NO.
#FILEL#		DRAWN -	REVISED -		SCALE: _____	SHEET NO. ___ OF ___ SHEETS	STA. 472+50.00 TO STA. 473+00.00	785	(132-2,3,4, 133-1)RS	MADISON	122	95
		CHECKED -	REVISED -					CONTRACT NO. 76880				
		DATE -	REVISED -		ILLINOIS FED. AID PROJECT							

DATE	
BY	
DESIGNED	
DRAWN	
CHECKED	
DATE	
REVISIONS	
NO.	

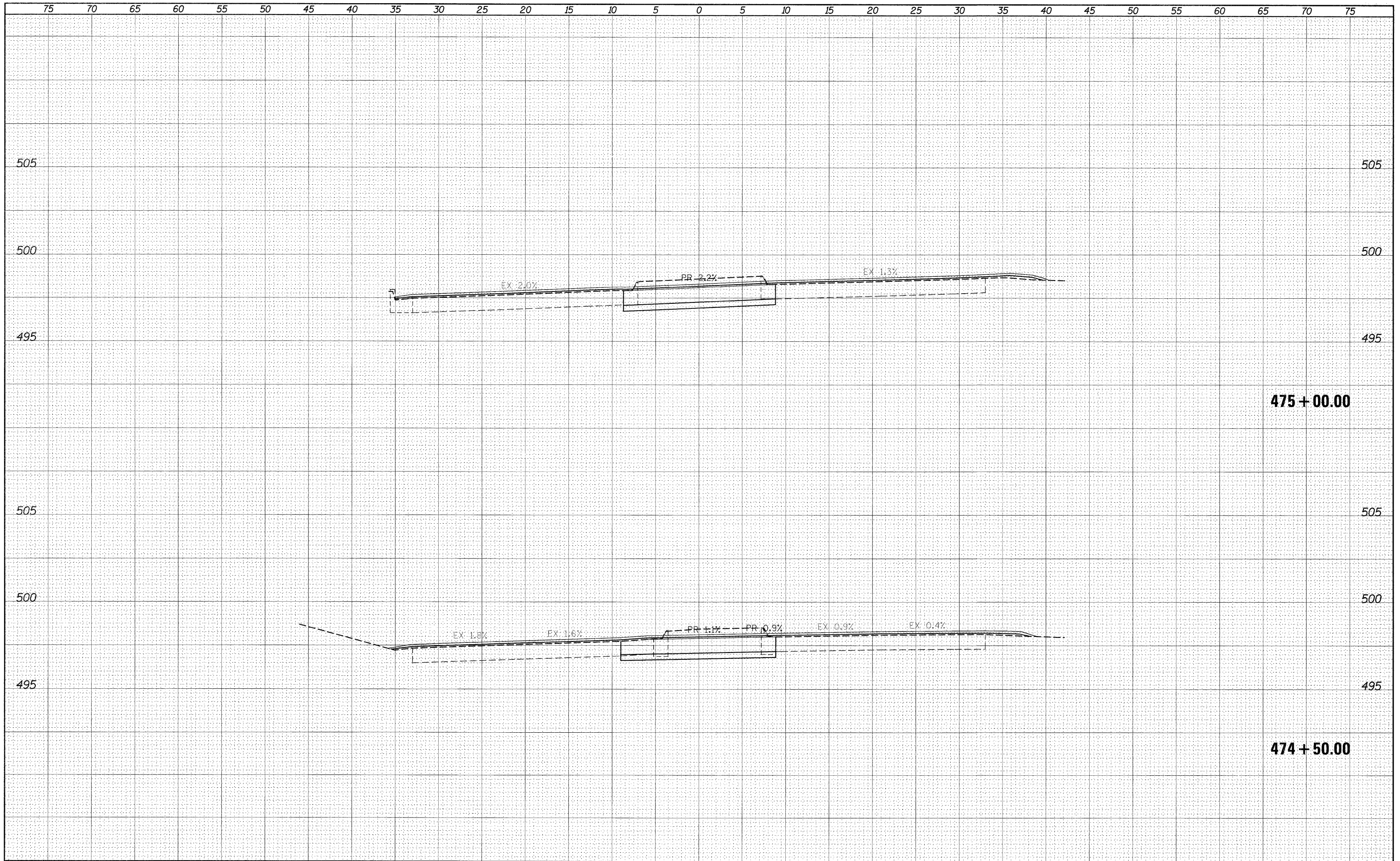
DATE	
BY	
DESIGNED	
DRAWN	
CHECKED	
DATE	
REVISIONS	
NO.	





DATE	
BY	
DESIGNED	
DRAWN	
CHECKED	
DATE	
REVISIONS	
NO.	

DATE	
BY	
DESIGNED	
DRAWN	
CHECKED	
DATE	
REVISIONS	
NO.	



FILE NAME =  
#FILE#

USER NAME = #USER#  
PLOT SCALE = #SCALE#  
PLOT DATE = #DATE#

DESIGNED -  
DRAWN -  
CHECKED -  
DATE -

REVISED -  
REVISED -  
REVISED -  
REVISED -

**STATE OF ILLINOIS  
DEPARTMENT OF TRANSPORTATION**

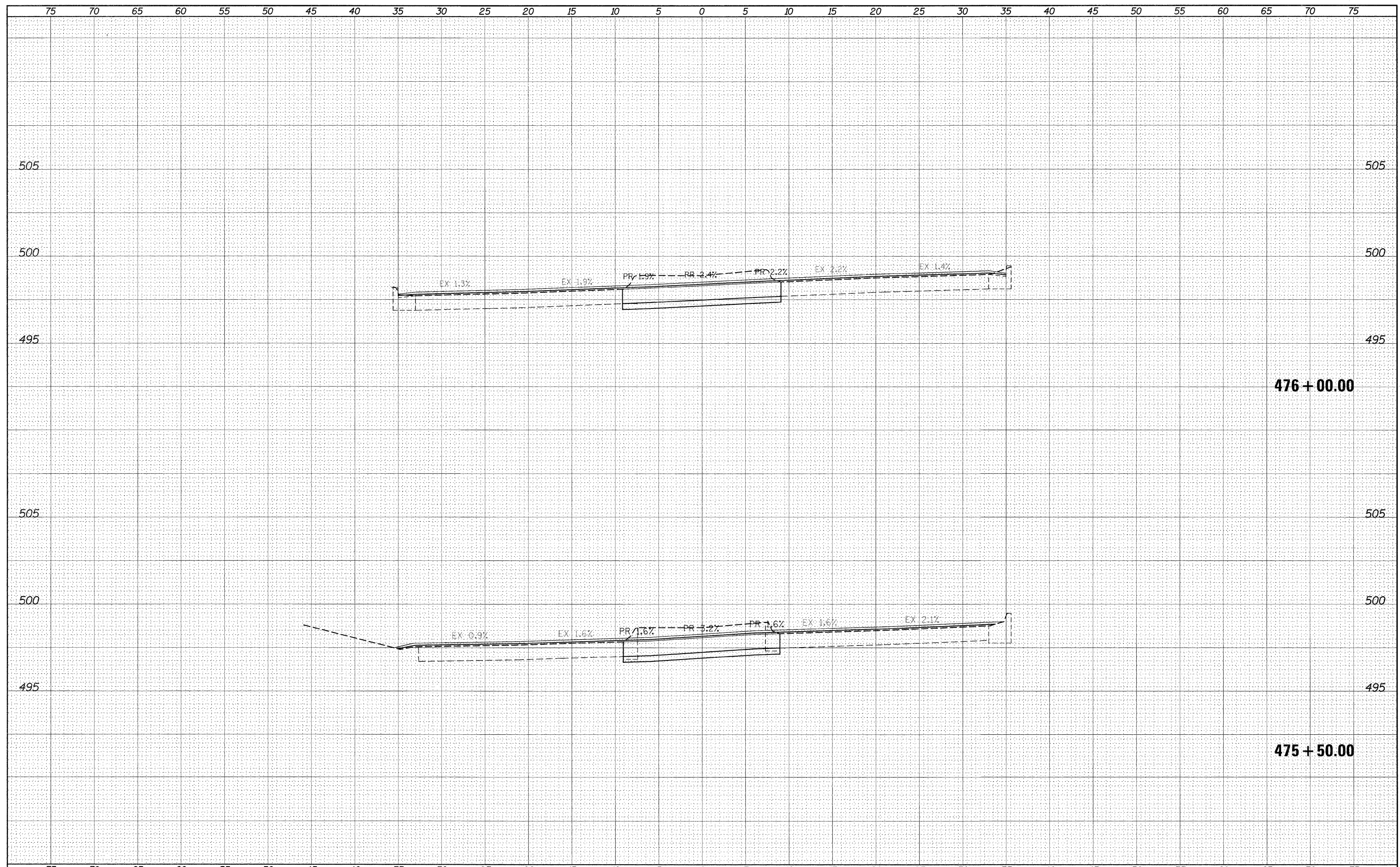
**IL140/111 CROSS-SECTIONS**

SCALE: \_\_\_\_\_ SHEET NO. \_\_\_ OF \_\_\_ SHEETS STA. 474+50.00 TO STA. 475+00.00

FAP RTE.	SECTION	COUNTY	TOTAL SHEETS	SHEET NO.
785	(132-2,3,4, 133-1)RS	MADISON	122	97
CONTRACT NO. 76880			ILLINOIS FED. AID PROJECT	

DATE	
BY	
EXAMINED	
SURVEY	
PLOTTED	
TEMPLATE	
NOTE BOOK	
AREAS	
AREAS CHECKED	
NO.	

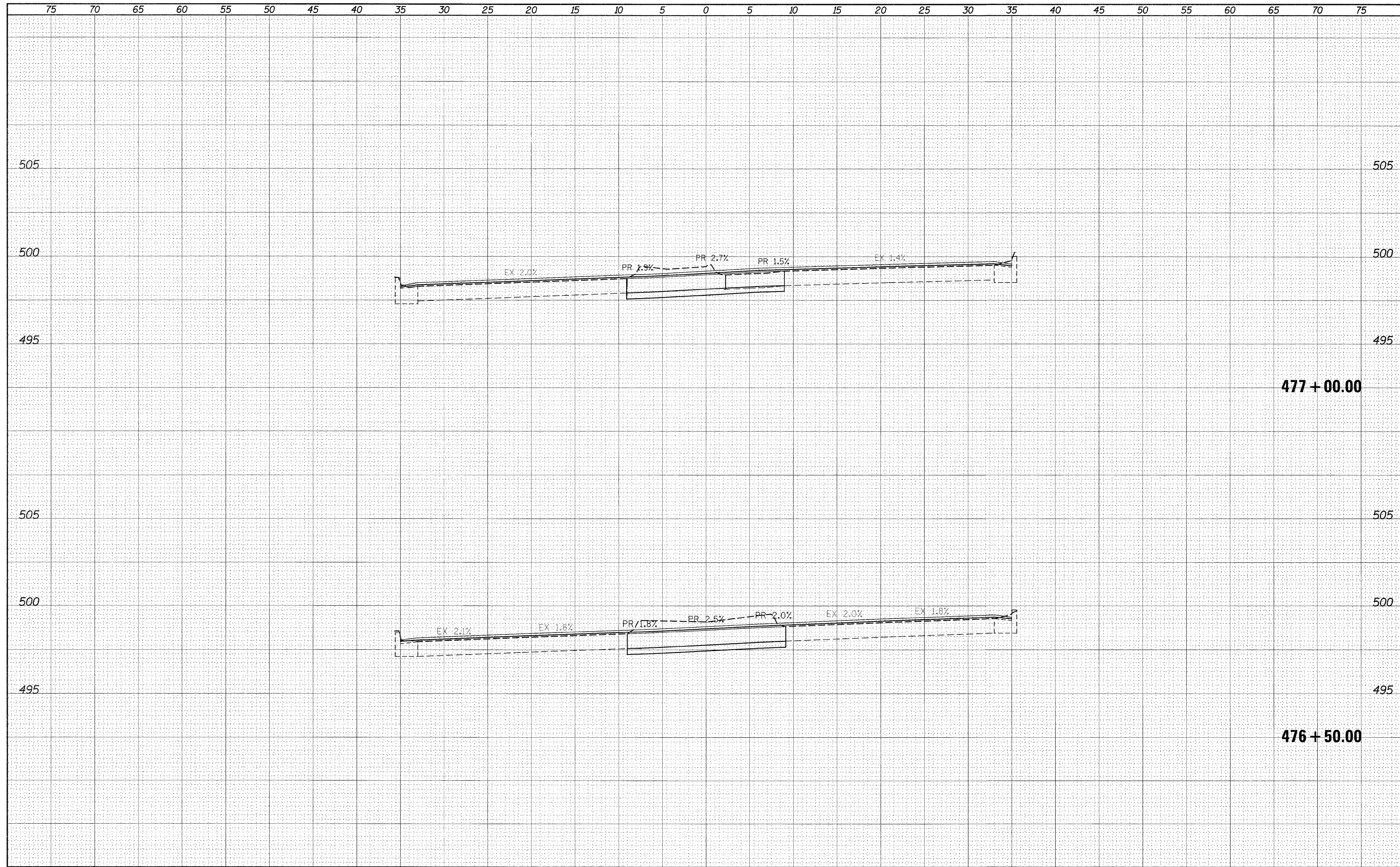
DATE	
BY	
EXAMINED	
SURVEY	
PLOTTED	
TEMPLATE	
NOTE BOOK	
AREAS	
AREAS CHECKED	
NO.	





DATE	
BY	
DESIGNED	
DRAWN	
CHECKED	
DATE	
REVISIONS	
NO.	
DESIGNED	
DRAWN	
CHECKED	
DATE	
REVISIONS	
NO.	

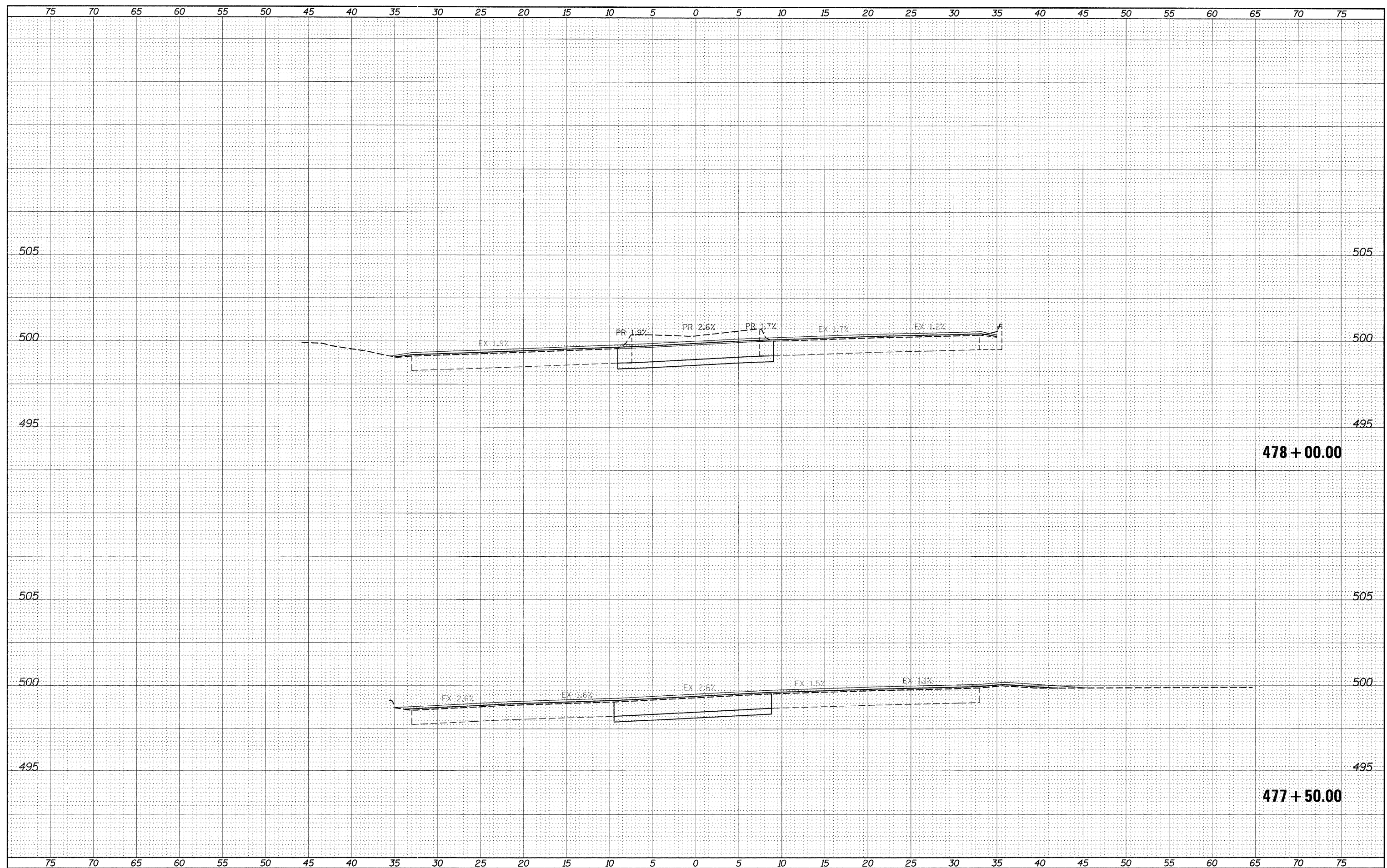
DATE	
BY	
DESIGNED	
DRAWN	
CHECKED	
DATE	
REVISIONS	
NO.	
DESIGNED	
DRAWN	
CHECKED	
DATE	
REVISIONS	
NO.	



FILE NAME =	USER NAME = #USER#	DESIGNED -	REVISED -	<b>STATE OF ILLINOIS</b> <b>DEPARTMENT OF TRANSPORTATION</b>	<b>IL140/111 CROSS-SECTIONS</b>	FAP RTE.	SECTION	COUNTY	TOTAL SHEETS	SHEET NO.	
#FILE#	PLOT SCALE = #SCALE#	DRAWN -	REVISED -			785	(132-2,3,4, 133-1)RS	MADISON	122	99	
	PLOT DATE = #DATE#	CHECKED -	REVISED -			CONTRACT NO. 76880		ILLINOIS FED. AID PROJECT			
		DATE -	REVISED -			SCALE: _____	SHEET NO. ___ OF ___ SHEETS	STA. 476+50.00 TO STA. 477+00.00			

DATE	
BY	
SUBMITTED	
PLOTTED	
TEMPLATE	
AREAS	
CHECKED	
FINAL SURVEY	
NOTE BOOK	
NO.	

DATE	
BY	
SUBMITTED	
PLOTTED	
TEMPLATE	
AREAS	
CHECKED	
ORIGINAL SURVEY	
NOTE BOOK	
NO.	



FILE NAME =  
 \*FILEL\*

USER NAME = #USER\*  
 DESIGNED - \_\_\_  
 DRAWN - \_\_\_  
 PLOT SCALE = #SCALE\*  
 PLOT DATE = #DATE\*

REVISIED - \_\_\_  
 REVISIED - \_\_\_  
 REVISIED - \_\_\_  
 REVISIED - \_\_\_

REVISIED - \_\_\_  
 REVISIED - \_\_\_  
 REVISIED - \_\_\_  
 REVISIED - \_\_\_

**STATE OF ILLINOIS  
 DEPARTMENT OF TRANSPORTATION**

**IL140/111 CROSS-SECTIONS**

SCALE: \_\_\_\_\_ SHEET NO. \_\_\_ OF \_\_\_ SHEETS STA. 477+50.00 TO STA. 478+00.00

F&P RTE.	SECTION	COUNTY	TOTAL SHEETS	SHEET NO.
785	(132-2,3,4, 133-1RS)	MADISON	122	100
CONTRACT NO. 76B80			ILLINOIS FED. AID PROJECT	