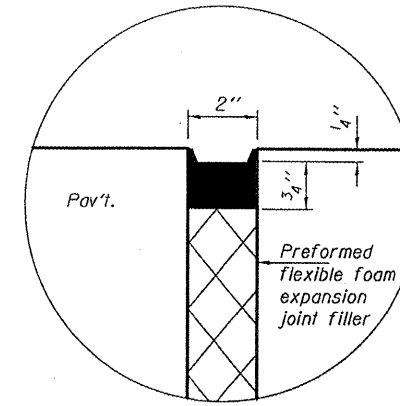
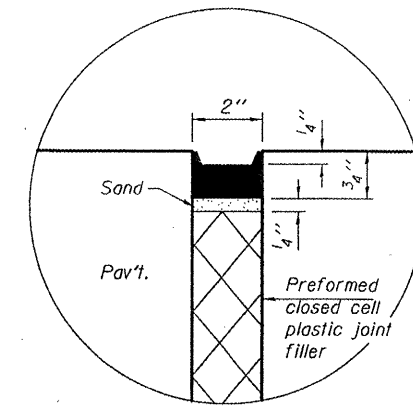


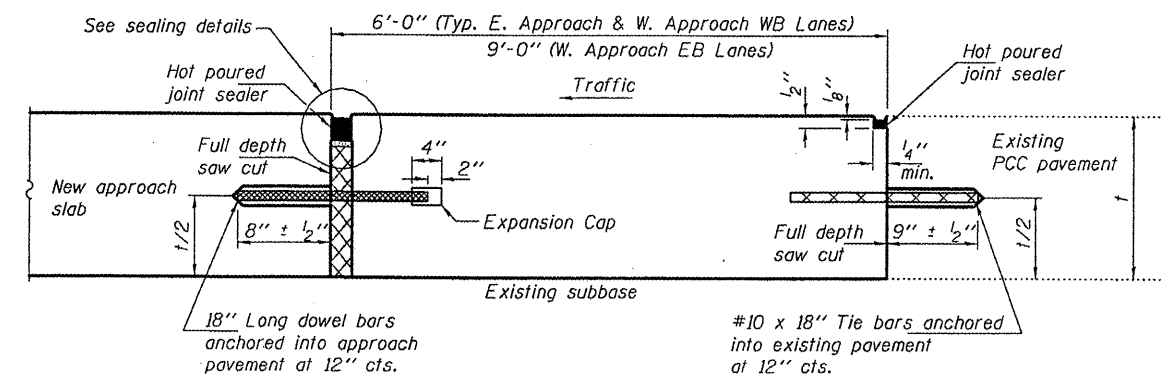
PLAN



SEALING DETAIL



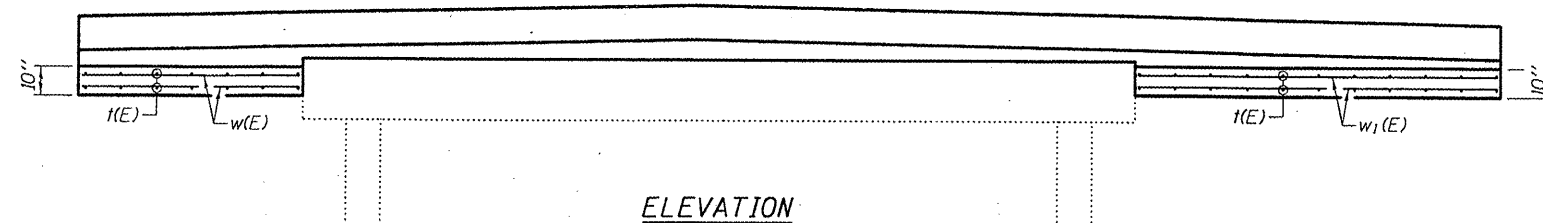
SEALING DETAIL



CLASS B PATCH, TYPE II, 13 INCHES

METHOD I
(See Standard 442101-7)

Tie Bars and Dowel Bars are to be installed in accordance with the applicable portions of Art. 442 of the Standard Specs. Cost of all labor and material is included in the unit cost EACH for Tie Bars 1 1/4" or Dowel Bars 1 1/2".



ELEVATION

WB Looking West
EB Looking East

DESIGNED IJL	EXAMINED	DATE
CHECKED ATH	<i>James F. Dill</i>	MARCH 16, 2011
DRAWN boliva	PASSED	
CHECKED IJL ATH	ACTING ENGINEER OF STRUCTURAL SERVICES	
	ACTING ENGINEER OF BRIDGES AND STRUCTURES	

STATE OF ILLINOIS
DEPARTMENT OF TRANSPORTATION

REPAIR DETAILS
SN 003-0009 (EB) & 003-0010 (WB)

SHEET NO. 6 OF 9 SHEETS

F.A.I. RTE.	SECTION	COUNTY	TOTAL SHEETS	SHEET NO.
70	3-481-1		35	9
BOND			CONTRACT NO. 76E23	
ILLINOIS FED. AID PROJECT				