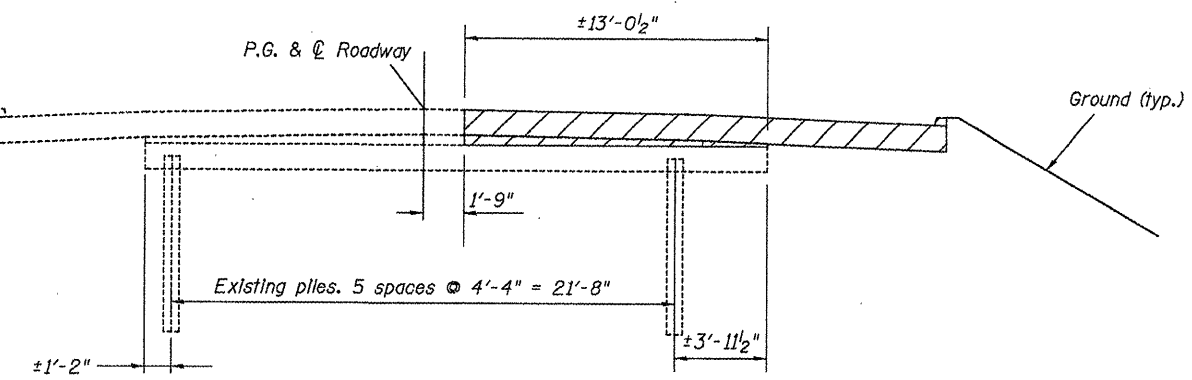
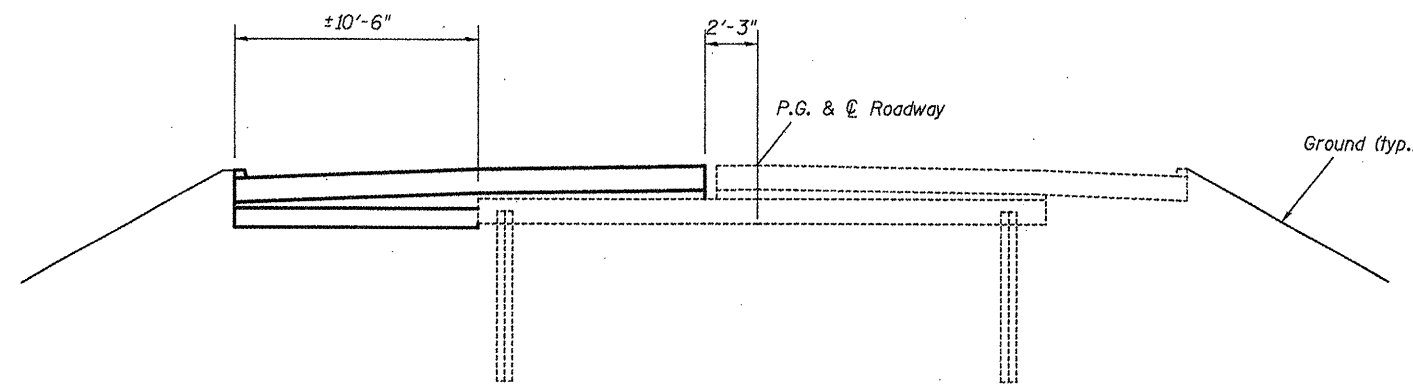


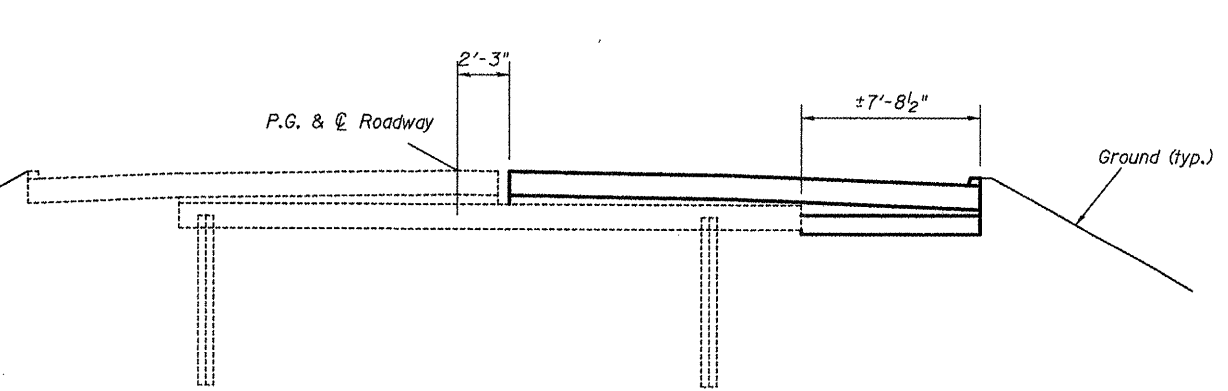
STAGE I REMOVAL (X-SEC @ APPROACH FOOTING) (W.B.)
Looking East



STAGE I REMOVAL (X-SEC @ APPROACH FOOTING) (E.B.)
Looking East



Sec C-C
STAGE I CONSTRUCTION (X-SEC @ APPROACH FOOTING) (W.B.)
Looking East



Sec D-D
STAGE I CONSTRUCTION (X-SEC @ APPROACH FOOTING) (E.B.)
Looking East

Match existing X-section slopes

DESIGNED - AYW	EXAMINED _____	DATE - February 18, 2011
CHECKED - ---	ENGINEER OF STRUCTURAL SERVICES	
DRAWN - AYW	PASSED _____	
CHECKED - ---	ENGINEER OF BRIDGES AND STRUCTURES	

STATE OF ILLINOIS
DEPARTMENT OF TRANSPORTATION

STAGE I REMOVAL & CONSTRUCTION (X-SEC @ APPROACH FOOTING.)
SHEET NO. 12 OF 32 SHEETS

F.A.I. RTE.	SECTION	COUNTY	TOTAL SHEETS	SHEET NO.
TO	3-4B1-1	Bond	35	15
			CONTRACT NO. 76E23	
ILLINOIS FED. AID PROJECT				