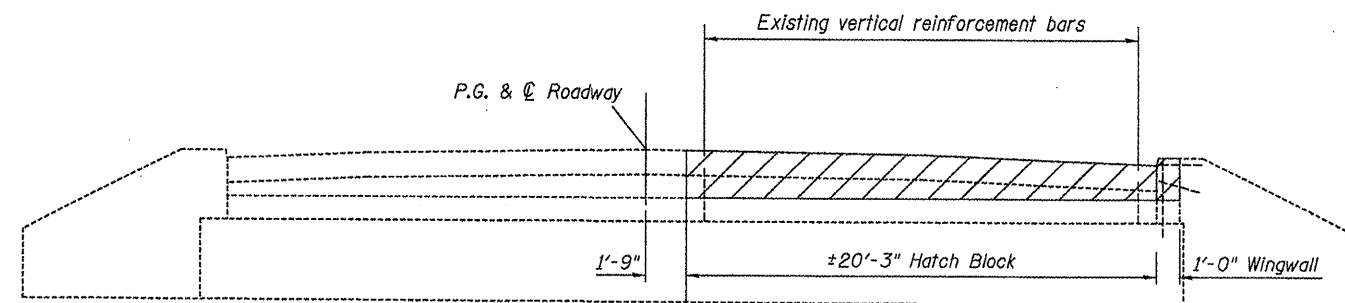


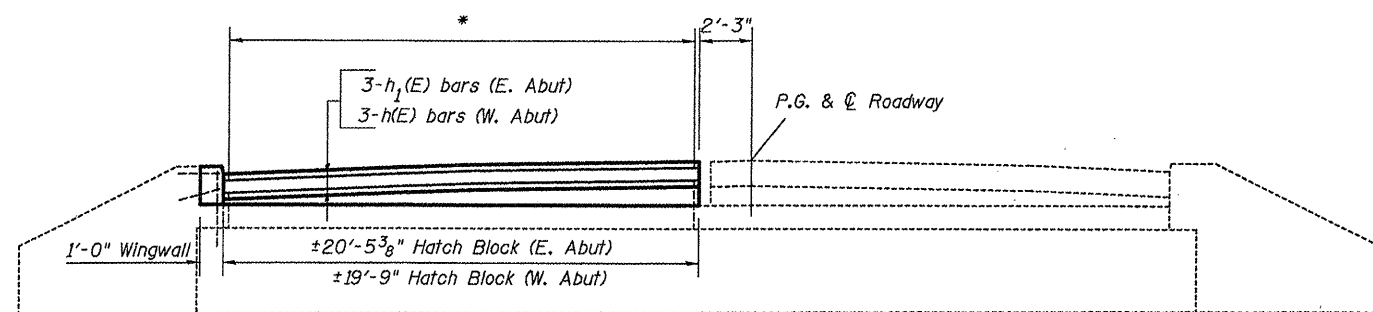
STAGE I REMOVAL (HATCH BLOCK & WINGWALL) (W.B.)

Looking East



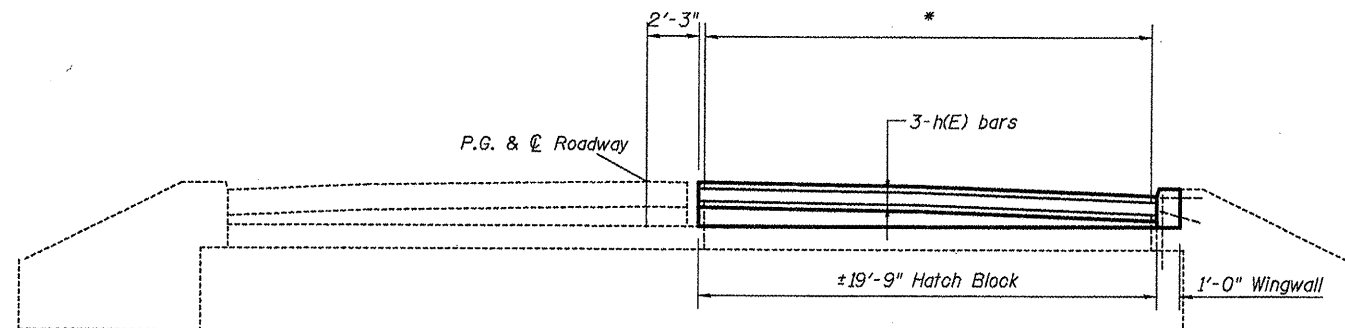
STAGE I REMOVAL (HATCH BLOCK & WINGWALL) (E.B.)

Looking East



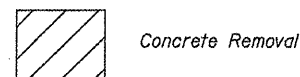
STAGE I CONSTRUCTION (HATCH BLOCK & WW) (W.B.)

Looking East



STAGE I CONSTRUCTION (HATCH BLOCK & WINGWALL) (E.B.)

Looking East



Match existing X-section slopes

* Existing vertical reinforcement bars in the abutment backwall extending into the removed area shall be cleaned, straightened and incorporated into the new construction.

**Existing reinforcement bars in the removed area shall be cleaned, straightened and incorporated into the new construction.

DESIGNED - AYV	EXAMINED _____	DATE - February 18, 2011
CHECKED - _____	ENGINEER OF STRUCTURAL SERVICES	
DRAWN - AYV	PASSED _____	
CHECKED - _____	ENGINEER OF BRIDGES AND STRUCTURES	

**STATE OF ILLINOIS
DEPARTMENT OF TRANSPORTATION**

ELEV. HATCHBLOCK & WINGWALL (STAGE I REMOVAL & CONSTRUCTION)

F.A.I. RTE. TO	SECTION 3-4BI-1	COUNTY	TOTAL SHEETS 35	SHEET NO. 25
BAND			CONTRACT NO. 76E23	
ILLINOIS FED. AID PROJECT				

SHEET NO. 22 OF 32 SHEETS