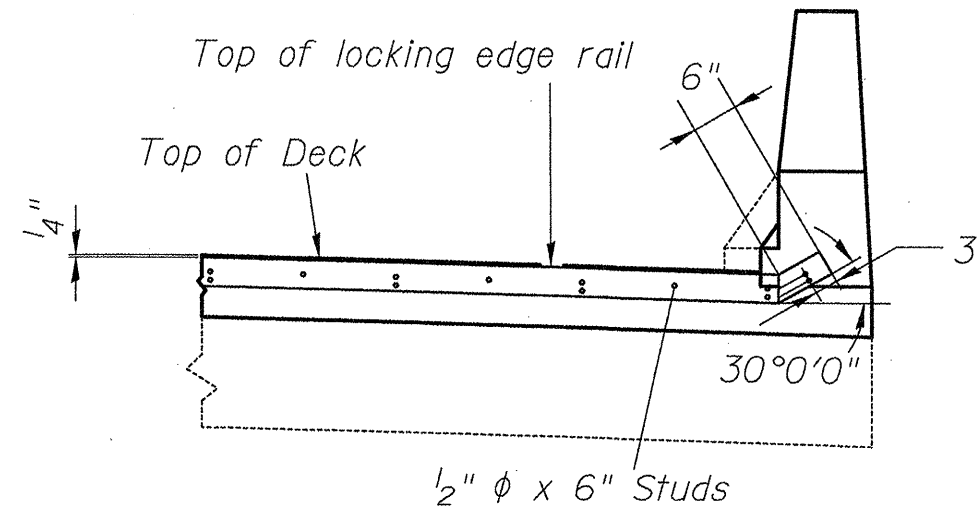


PARAPET DETAIL



TYPICAL END TREATMENT

DESIGNED - AYW	EXAMINED	DATE - February 18, 2011
CHECKED - ---	ENGINEER OF STRUCTURAL SERVICES	
DRAWN - AYW	PASSED	
CHECKED - ---	ENGINEER OF BRIDGES AND STRUCTURES	

STATE OF ILLINOIS
DEPARTMENT OF TRANSPORTATION

PARAPET

SHEET NO. 28 OF 32 SHEETS

F.A.I. RTE.	SECTION	COUNTY	TOTAL SHEETS	SHEET NO.
70	3-481-1	Bond	35	31
ILLINOIS FED. AID PROJECT			CONTRACT NO. 76E23	