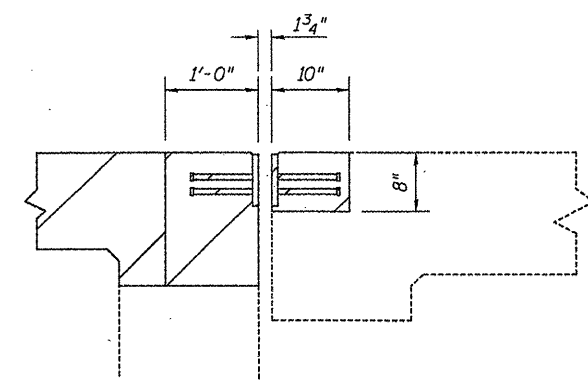
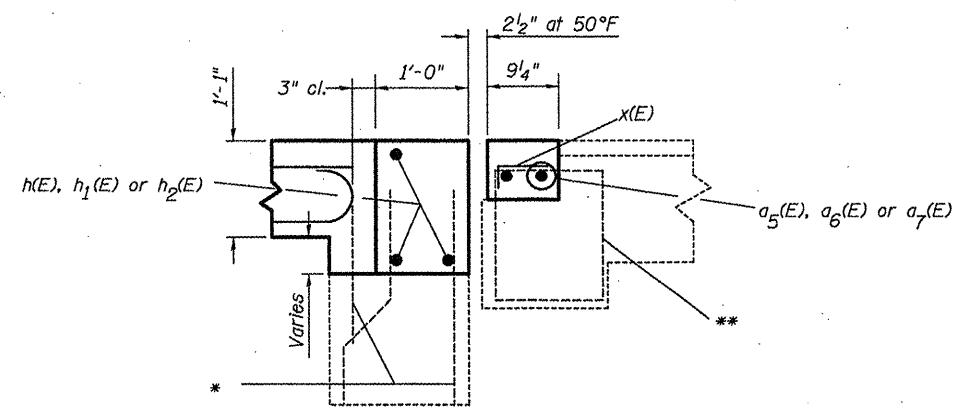


DETAIL A

For locations see sheets 4-7 of 31



SEC A-A



Bonded Const. Jt. (Typ.)

SEC B-B

* Existing vertical reinforcement bars in the abutment backwall extending into the removed area shall be cleaned, straightened and incorporated into the new construction.
 ** Existing stirrups in deck extending into the removed area shall be cleaned, straightened and incorporated into the new construction.

BILL OF MATERIAL

| Bar | No. | Size | Length | Shape |
|----------------------------------|-----|----------|--------|-------|
| a(E) | 30 | #4 | 20'-0" | — |
| a ₁ (E) | 6 | #4 | 20'-8" | — |
| a ₂ (E) | 105 | #5 | 20'-0" | — |
| a ₃ (E) | 21 | #5 | 20'-8" | — |
| a ₄ (E) | 36 | #4 | 20'-6" | — |
| a ₅ (E) | 126 | #5 | 20'-6" | — |
| a ₆ (E) | 2 | #5 | 20'-4" | — |
| a ₇ (E) | 8 | #5 | 21'-2" | — |
| a ₈ (E) | 6 | #5 | 20'-8" | — |
| a ₉ (E) | 32 | #4 | 2'-4" | — |
| b(E) | 211 | #4 | 19'-8" | — |
| b ₁ (E) | 584 | #7 | 19'-8" | — |
| b ₂ (E) | 8 | #4 | 11'-8" | — |
| h(E) | 9 | #6 | 20'-8" | — |
| h ₁ (E) | 3 | #6 | 21'-4" | — |
| h ₂ (E) | 12 | #6 | 21'-2" | — |
| x(E) | 160 | #5 | 9" | — |
| t(E) | 66 | #4 | 13'-9" | — |
| w(E) | 56 | #5 | 10'-3" | — |
| w ₁ (E) | 56 | #5 | 7'-5" | — |
| w ₂ (E) | 56 | #5 | 5'-10" | — |
| w ₃ (E) | 56 | #5 | 6'-3" | — |
| Reinforcement Bars, Epoxy Coated | | Pound | 36250 | |
| Concrete Superstructure | | Cu. Yds. | 219.2 | |
| Concrete Removal | | Cu. Yds. | 259.3 | |
| Concrete Structures | | Cu. Yds. | 19.8 | |

Reinforcement bars designated (E) shall be epoxy coated.