

F.A.P. RTE.	SECTION	COUNTY	TOTAL SHEETS	SHEET NO.
805	3-1	CLINTON	8	1
		ILLINOIS	CONTRACT NO. 76E31	

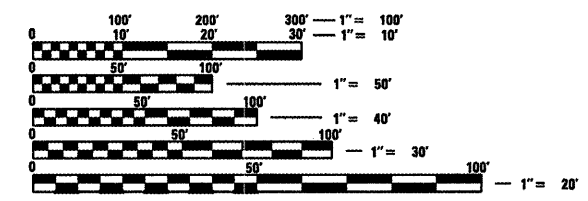
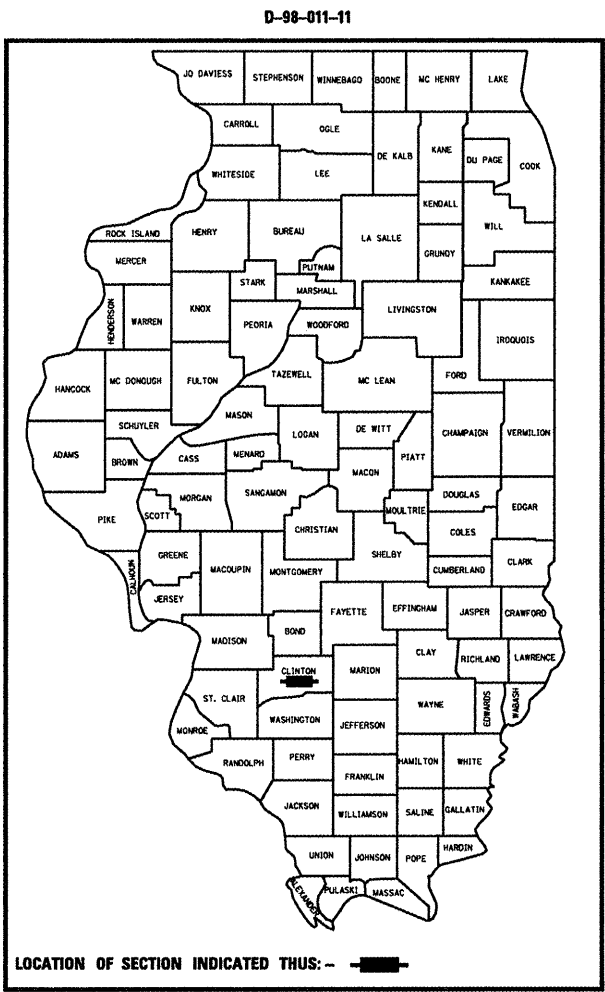
INDEX OF SHEETS

1. COVER SHEET, PROJECT LIMITS, ADT
2. GENERAL NOTES, STANDARDS, COMMITMENTS
3. SUMMARY OF QUANTITIES
4. LOCATION MAP
5. SCHEDULES
6. TYPICAL SECTION
- 7.-8. CROSS SECTION SHEETS

STATE OF ILLINOIS
DEPARTMENT OF TRANSPORTATION
DIVISION OF HIGHWAYS

PROPOSED
HIGHWAY PLANS

FAP ROUTE 805 (IL 161)
SECTION 3-1
PROJECT HSIP-0805(073)
HSIP - SAFETY SHOULDER & RUMBLE STRIP
CLINTON COUNTY
C-98-010-11



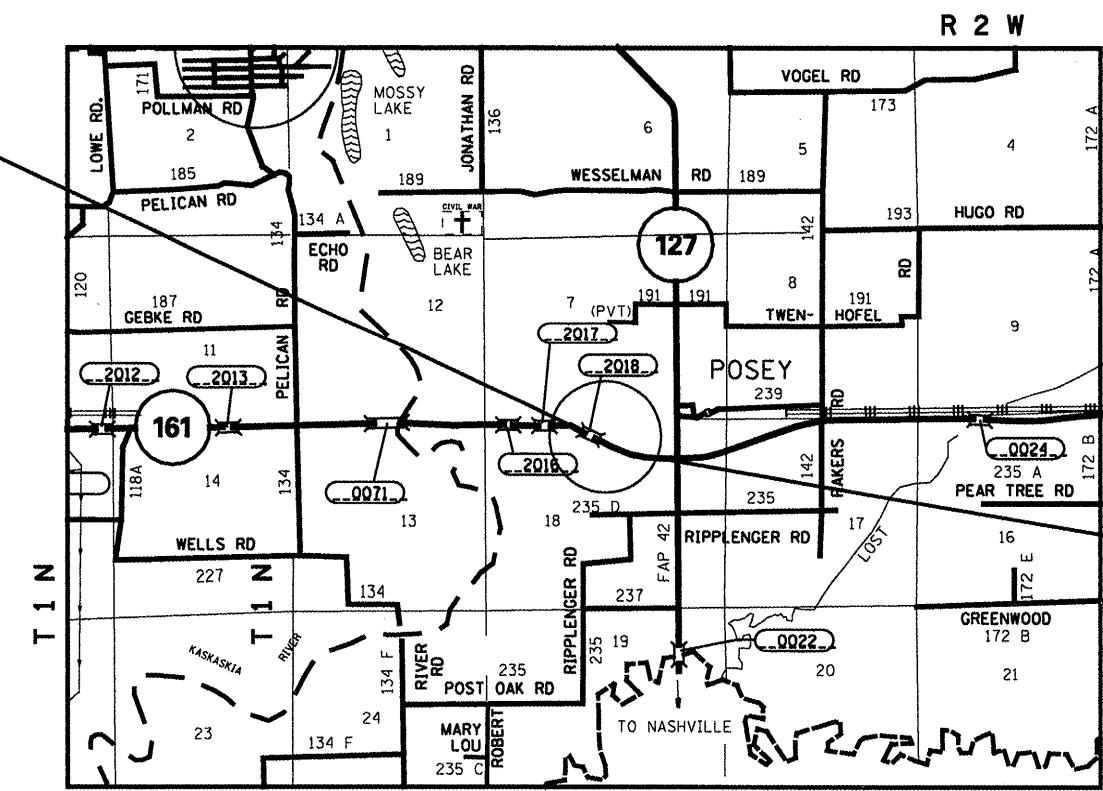
FULL SIZE PLANS HAVE BEEN PREPARED USING STANDARD ENGINEERING SCALES. REDUCED SIZED PLANS WILL NOT CONFORM TO STANDARD SCALES. IN MAKING MEASUREMENTS ON REDUCED PLANS, THE ABOVE SCALES MAY BE USED.

J.U.L.I.E.
JOINT UTILITY LOCATION INFORMATION FOR EXCAVATION
1-800-892-0123
OR 811

PROJECT ENGINEER: PATTI LEBEAU (618)346-3179
PROJECT MANAGER: CHERYL KEPLAR (618)346-3186

CONTRACT NO. 76E31

BEGIN PROJECT:
STA. 235 + 00
LAT: 38.536145
LONG: -89.362793



END PROJECT:
STA. 271 + 00
LAT: 38.534102
LONG: -89.353265

TRAFFIC DATA:
2009 = 2150
2010 = 2200
2030 = 2700
SU = 2.8%
MU = 3.7%

GROSS LENGTH = 3,600 FT. = 0.68 MILE
NET LENGTH = 3,600 FT. = 0.68 MILE

NOT TO SCALE

FUNCTIONAL CLASSIFICATION:
RURAL MINOR ARTERIAL

STATE OF ILLINOIS
DEPARTMENT OF TRANSPORTATION
DIVISION OF HIGHWAYS

SUBMITTED Feb 7, 2011
McClane
DEPUTY DIRECTOR OF HIGHWAYS, REGION 5 ENGINEER

Mauchas 2011
Scott E. Still, P.E.
ENGINEER OF DESIGN AND ENVIRONMENT

Mauchas 2011
Christine M. Reed
DIRECTOR OF HIGHWAYS, CHIEF ENGINEER

PRINTED BY THE AUTHORITY
OF THE STATE OF ILLINOIS

GENERAL NOTES

1. THE STANDARDS AND REVISION NUMBERS LISTED SHALL APPLY TO THIS PROJECT.

2. ILLINOIS STATE LAW REQUIRES A 48-HOUR NOTICE BE GIVEN TO ALL UTILITIES BEFORE DIGGING. FIELD MARKING OF FACILITIES MAY BE OBTAINED BY CONTACTING J.U.L.I.E. OR FOR NON-MEMBERS, THE UTILITY COMPANY DIRECTLY. AGENCIES KNOWN TO HAVE FACILITIES WITHIN THE PROJECT AREA ARE AS FOLLOWS:

- | | |
|---------------------------------------|----------------|
| •AT&T ILLINOIS - COMMUNICATIONS | AERIAL, BURIED |
| •AMEREN ILLINOIS - GAS & ELECTRIC | AERIAL, BURIED |
| •HOFFMAN RURAL WATER DISTRICT - WATER | BURIED |
| •PAETEC - COMMUNICATIONS | BURIED |

MEMBERS OF J.U.L.I.E. (800) 892-0123 ARE INDICATED BY •. NON-J.U.L.I.E. MEMBERS MUST BE NOTIFIED INDIVIDUALLY.

3. THE CONTRACTOR SHALL VERIFY ALL DIMENSIONS AND CONDITIONS IN THE FIELD PRIOR TO CONSTRUCTION AND ORDERING OF MATERIALS.

4. 'ROAD CONSTRUCTION AHEAD' SIGNS SHALL BE PLACED AT EACH END OF THE PROJECT PLUS THE INTERSECTING SIDEROADS, AND WILL BE CONSIDERED INCLUDED IN THE TRAFFIC CONTROL PAY ITEMS. ALL CONSTRUCTION SIGNS SHALL BE FLUORESCENT ORANGE AND 48" X 48".

5. THE FOLLOWING SUPERPAVE MIXTURE REQUIREMENTS ARE APPLICABLE FOR THIS PROJECT:

MIXTURE USE	SHOULDER >2.25"	SHOULDER <2.25"
AC/PG	PG 64-22	PG 64-22
RAP % (MAX)	SEE CONTRACT RAP	SEE CONTRACT RAP
DESIGN AIR VOIDS	SPECIAL PROVISION	SPECIAL PROVISION
MIX COMPOSITION	••2.0% @ Ndes=30	••2.0% @ Ndes=30
(GRADATION MIXTURE)	NMAS 3/4"	NMAS 1/2"
FRICITION AGG		

••TOP LIFT SHOULDERS - DESIGN THIS MIX AT 2.0% VOIDS AND ADD ASPHALT TO REDUCE VOIDS TO 1.5%

PLAN QUANTITIES FOR HMA (HOT MIX ASPHALT) CONCRETE SURFACE COURSE ITEMS ARE CALCULATED USING A UNIT WEIGHT OF 112 LB/SQ YD/IN.

6. ANY EXCAVATION OR DROP-OFF MORE THAN 3" AT EDGE OF PAVEMENT SHALL BE PROTECTED WITH EXTENDED LEG BARRICADES AND APPROPRIATE LIGHTING.

7. NO OVERNIGHT LANE CLOSURES WILL BE ALLOWED.

8. IF ANY UNSUITABLE MATERIAL IS ENCOUNTERED DURING CONSTRUCTION, IT WILL BE NECESSARY TO REMOVE THE UNSUITABLE MATERIAL AND REPLACE IT WITH SUITABLE MATERIAL AS APPROVED BY THE ENGINEER.

9. ALL AREAS DISTURBED FOR ANY REASON SHALL BE SEEDED WITH CLASS 2A SEEDING AS DIRECTED BY THE ENGINEER. NUTRIENTS SHALL CONFORM TO ARTICLE 250.04.

10. MULCH SHALL CONFORM TO SECTION 251 OF THE STANDARD SPECIFICATIONS. MULCH, UNLESS OTHERWISE PERMITTED BY ENGINEER, SHALL CONFORM TO METHOD 2, PROCEDURE 2 AS SPECIFIED IN ARTICLE 251.

11. THE CONTRACTOR AND ENGINEER SHALL BE AWARE THAT NO SURVEY WAS PREFORMED FOR THIS PROJECT. THE STATIONING AND TOPO SHOWN IN THE PLANS WAS CREATED USING MICROFLIM AND FIELD MEASUREMENTS MADE BY DESIGN PERSONNEL. BOTH SHALL BE ASSUMED TO BE APPROXIMATE.

12. EXCEPT WHERE DESIGNATED OTHERWISE, THE LOCATIONS AND/OR DEPTHS OF UNDERGROUND UTILITIES SHOWN HAVE BEEN TAKEN FROM OFFICE RECORD INFORMATION FURNISHED BY THE UTILITY OWNERS AND MUST BE CONSIDERED APPROXIMATE.

13. EARTHWORK FROM EARTH EXCAVATION IS TO BE USED FOR EARTH SHOULDERS. NO ADDITIONAL COMPENSATION SHALL BE APPLIED.

COMMITMENTS

NO COMMITMENTS

STANDARDS

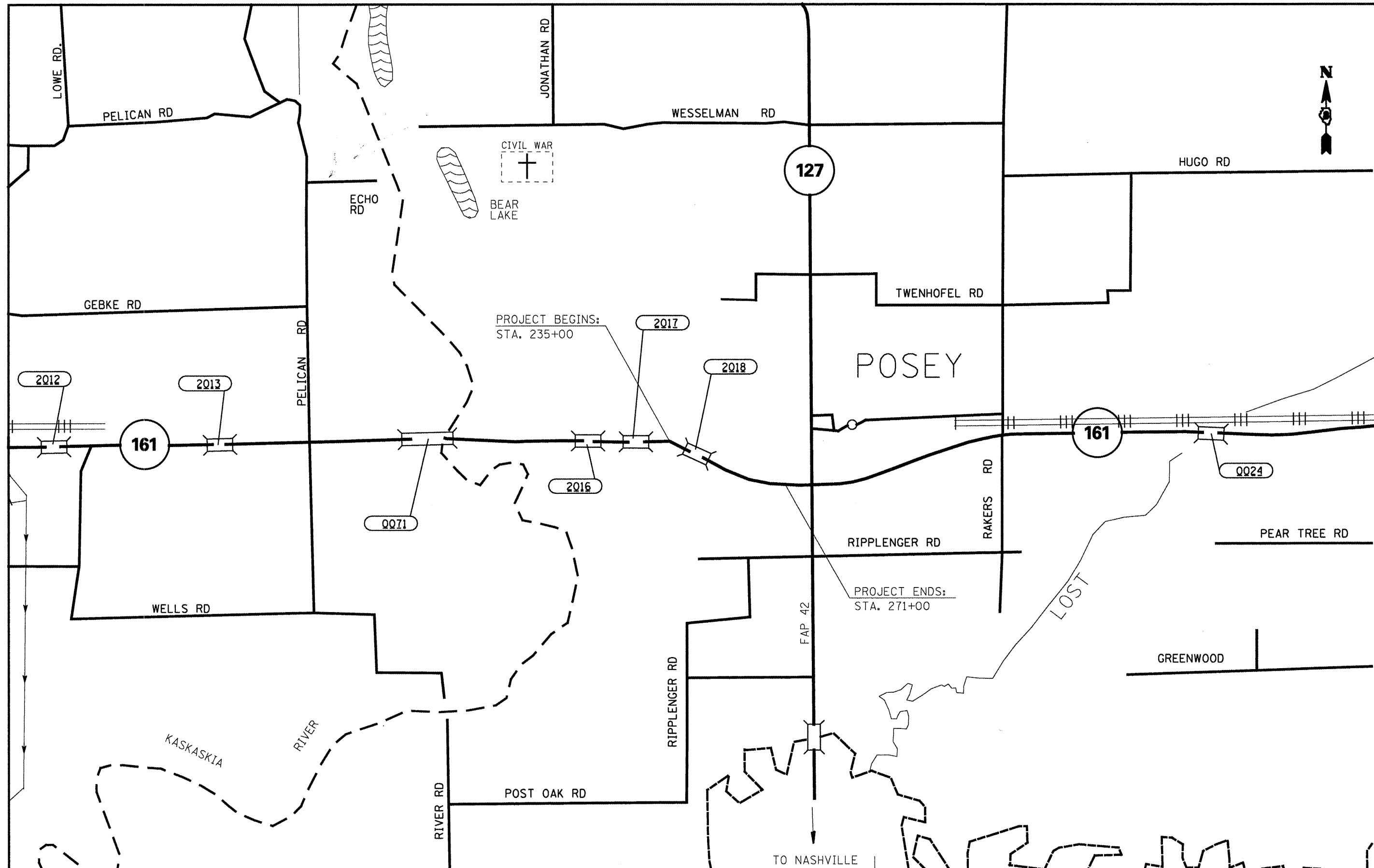
- 000001-06
- 001006
- 482006-03
- 606101-04
- 642001-01
- 701006-03
- 701101-02
- 701106-02
- 701011-02
- 701201-04
- 701311-03
- 701326-04
- 701901-01
- 780001-02

FILE NAME =	USER NAME = *USER*	DESIGNED -	REVISED -	STATE OF ILLINOIS DEPARTMENT OF TRANSPORTATION	GENERAL NOTES, COMMITMENTS & STANDARDS	F.A.R. RTE.	SECTION	COUNTY	TOTAL SHEETS	SHEET NO.	
FILE#		DRAWN -	REVISED -			805	3-1	CLINTON	8	2	
	PLOT SCALE = *SCALE*	CHECKED -	REVISED -			CONTRACT NO. 76531		FED. ROAD DIST. NO. ILLINOIS FED. AID PROJECT			
	PLOT DATE = *DATE*	DATE -	REVISED -			SCALE: _____	SHEET NO. _____ OF _____ SHEETS	STA. _____ TO STA. _____			

SUMMARY OF QUANTITIES

SUMMARY OF QUANTITIES			TOTAL QUANTITIES	CONSTRUCTION TYPE CODE			SUMMARY OF QUANTITIES			TOTAL QUANTITIES	CONSTRUCTION TYPE CODE		
CODE NO	ITEM	UNIT		0021 90% FED 10% STATE			CODE NO	ITEM	UNIT				
20200500	EARTH EXCAVATION (WIDENING)	CU YD	562.5	562.5									
25000210	SEEDING, CLASS 2A	ACRE	1.25	1.25									
25000400	NITROGEN FERTILIZER NUTRIENT	POUND	112.5	112.5									
25000500	PHOSPHORUS FERTILIZER NUTRIENT	POUND	112.5	112.5									
25000600	POTASSIUM FERTILIZER NUTRIENT	POUND	112.5	112.5									
25100115	MULCH, METHOD 2	ACRE	1.25	1.25									
28000250	TEMPORARY EROSION CONTROL SEEDING	POUND	125	125									
28000400	PERIMETER EROSION BARRIER	FOOT	200	200									
48203029	HOT-MIX ASPHALT SHOULDERS, 8"	SQ YD	2400	2400									
64200105	SHOULDER RUMBLE STRIPS	FOOT	7200	7200									
67100100	MOBILIZATION	L SUM	1	1									
70100450	TRAFFIC CONTROL AND PROTECTION, STANDARD 701201	L SUM	1	1									
70103815	TRAFFIC CONTROL SURVEILLANCE	CAL DA	15	15									
70100500	TRAFFIC CONTROL AND PROTECTION, STANDARD 701326	L SUM	1	1									

FILE NAME =	USER NAME = *USER*	DESIGNED - ---	REVISED - ---	STATE OF ILLINOIS DEPARTMENT OF TRANSPORTATION	SUMMARY OF QUANTITIES	F.A.R RTE.	SECTION	COUNTY	TOTAL SHEETS	SHEET NO.
#FILE#		DRAWN - ---	REVISED - ---			.805	3-1	CLINTON	8	3
		CHECKED - ---	REVISED - ---			CONTRACT NO. 76E31		FED. ROAD DIST. NO. ILLINOIS FED. AID PROJECT		
	PLOT SCALE = *SCALE*	DATE - ---	REVISED - ---	SCALE: -----	SHEET NO. OF SHEETS	STA. -----	TO STA. -----			

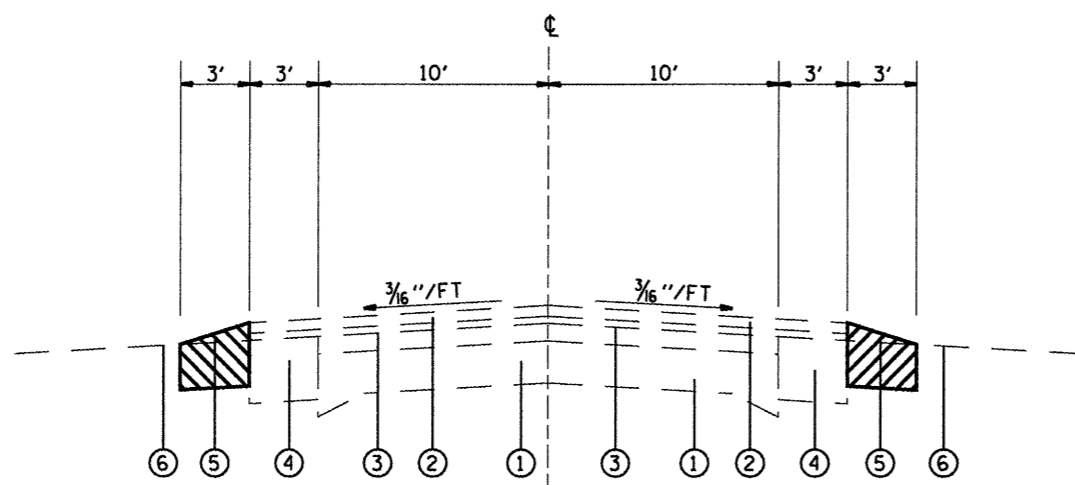


FILE NAME = #FILE#	USER NAME = #USER#	DESIGNED - ---	REVISED - ---	STATE OF ILLINOIS DEPARTMENT OF TRANSPORTATION	ROADWAY LAYOUT	F.A.D. RTE. #	SECTION	COUNTY	TOTAL SHEETS	SHEET NO.	
	PLOT SCALE = #SCALE#	DRAWN - ---	REVISED - ---			.809	3-1	CLINTON	8	4	
	CHECKED - ---	REVISÉ - ---	REVISÉ - ---			CONTRACT NO. 76531					
	PLOT DATE = #DATE#	DATE - ---	REVISÉ - ---			FED. ROAD DIST. NO. ILLINOIS FED. AID PROJECT					
SCALE: _____ SHEET NO. _____ OF _____ SHEETS STA. _____ TO STA. _____											

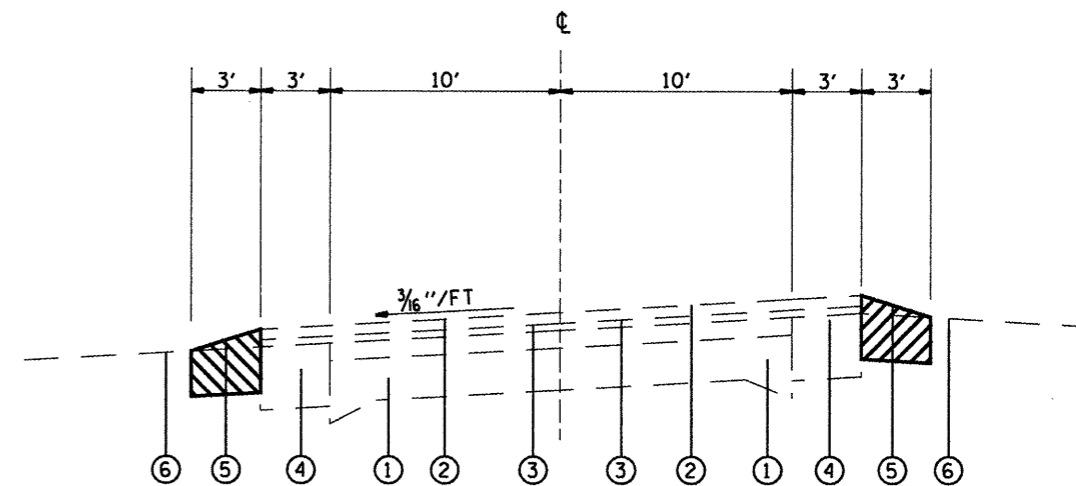
STATION	EARTHWORK VOL						EARTHWORK BALANCE WASTE(+)/SHORTAGE(-) CU YD
	END AREA		DIST FEET	UNADJUSTED	ADJUSTED	FILL	
	CUT SQ FT	FILL SQ FT		CUT CU YD	CUT CU YD	CU YD	
235+00.00	4.00	2.00	200	29.6	22.2	12.2	10.0
237+00.00	4.00	1.30	200	29.6	22.2	12.2	10.0
239+00.00	4.00	2.00	200	29.6	22.2	11.1	11.1
241+00.00	4.00	1.00	200	29.6	22.2	7.4	14.8
243+00.00	4.00	1.00	200	29.6	22.2	7.2	15.0
245+00.00	4.00	0.95	200	29.6	22.2	10.9	11.3
247+00.00	4.00	2.00	200	29.6	22.2	9.6	12.6
249+00.00	4.00	0.59	200	29.6	22.2	5.9	16.3
251+00.00	4.00	1.00	200	29.6	22.2	7.4	14.8
253+00.00	4.00	1.00	200	29.6	22.2	7.4	14.8
255+00.00	4.00	1.00	200	29.6	22.2	7.4	14.8
257+00.00	4.00	1.00	200	29.6	22.2	9.3	12.9
259+00.00	4.00	3.00	400	59.3	44.5	37.0	7.5
261+00.00	4.00	1.50	200	29.6	22.2	13.0	9.2
263+00.00	4.00	2.00	200	29.6	22.2	11.9	10.3
265+00.00	4.00	1.20	200	29.6	22.2	11.9	10.3
267+00.00	4.00	2.00	200	29.6	22.2	14.8	7.4
269+00.00	4.00	2.00	200	29.6	22.2	11.1	11.1
271+00.00	4.00	1.00					
SUB-TOTAL				562.5	421.9	207.7	214.2

SEEDING									
STA.	TO	STA.	SIDE (LT/RT)	SEEDING CLASS 2 (ACRE)	NITROGEN FERTILIZER (POUND)	PHOSPHORUS FERTILIZER (POUND)	POTASSIUM NUTRIENT (POUND)	MULCH METHOD (ACRE)	PERIMETER EROSION BARRIER (FOOT)
235+00	TO	271+00	L	0.625	56.25	56.25	56.25	0.625	
235+00	TO	271+00	R	0.625	56.25	56.25	56.25	0.625	
237+75	TO	238+25	L/R						100
246+75	TO	247+25	L/R						100
TOTAL:				1.25	112.5	112.5	112.5	1.25	200

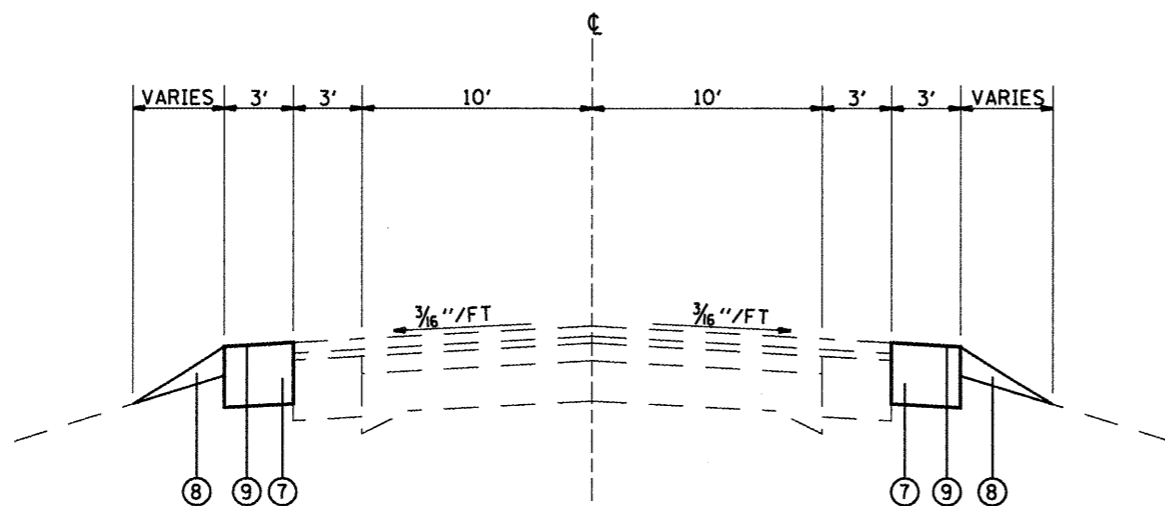
SHOULDER SCHEDULE						
STA.	TO	STA.	SIDE	LENGTH (FOOT)	HMA SHOULDERS 8" (SQ YD)	SHOULDER RUMBLE STRIP (FOOT)
235+00	TO	271+00	L/R	3600	2400	7200
TOTAL:					2400	7200



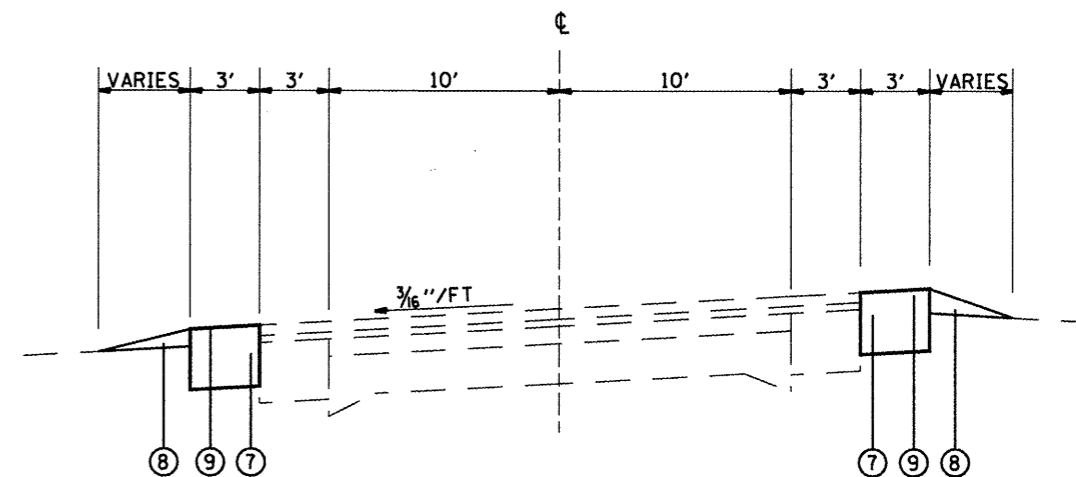
EXISTING TYPICAL SECTION
 STA. 248+38.5 TO STA. 257+07.8
 STA. 266+75 TO STA. 271+00



EXISTING SUPERELEVATED SECTION
 STA. 235+00 TO STA. 248+38.5
 STA. 257+07.8 TO STA. 266+75



PROPOSED TYPICAL SECTION
 STA. 248+38.5 TO STA. 257+07.8
 STA. 266+75 TO STA. 271+00



PROPOSED SUPERELEVATED SECTION
 STA. 235+00 TO STA. 248+38.5
 STA. 257+07.8 TO STA. 266+75



PROPOSED EARTH EXCAVATION

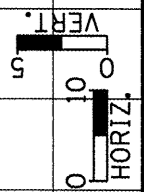
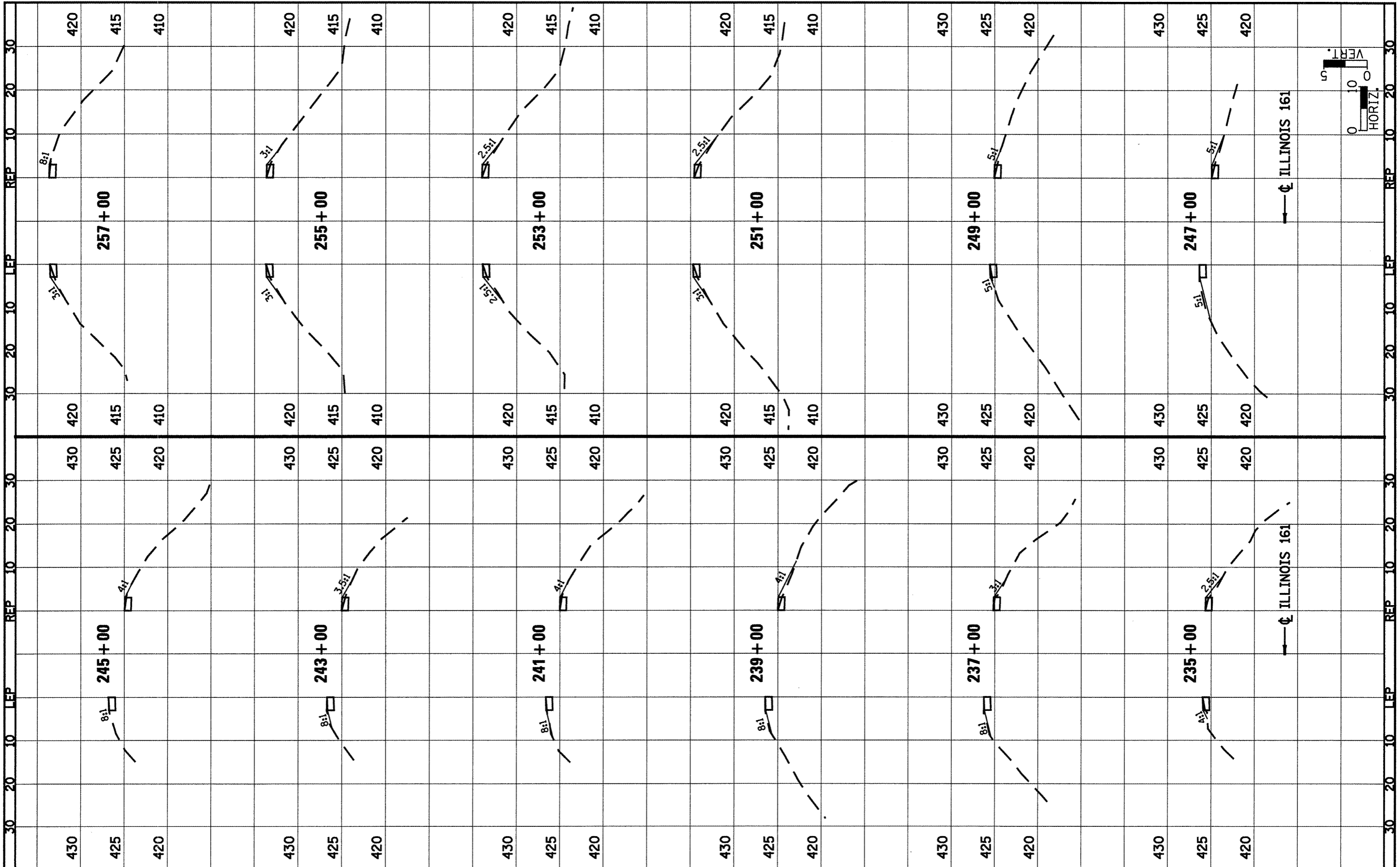
LEGEND

- ① EXISTING PCC PAVEMENT 9-6-9
- ② EXISTING BITUMINOUS OVERLAY 3" & VARIES
- ③ EXISTING LEVELING BINDER (MM), TYPE 2, 1"
- ④ EXISTING CONCRETE SURFACE CSE, WIDENING 9"
- ⑤ EXISTING AGGREGATE SHOULDER, TYPE B
- ⑥ EXISTING TURF SHOULDER
- ⑦ PROPOSED HMA SHOULDER 8"
- ⑧ PROPOSED EARTH SHOULDER
- ⑨ PROPOSED SHOULDER RUMBLE STRIP

FILE NAME *	USER NAME * #USER*	DESIGNED - ---	REVISED - ---	STATE OF ILLINOIS DEPARTMENT OF TRANSPORTATION	TYPICAL SECTION		F.A. RTE. 805	SECTION 3-1	COUNTY CLINION	TOTAL SHEETS 8	SHEET NO. 6	
*FILE#		DRAWN - ---	REVISED - ---		SCALE: _____	SHEET NO. ___ OF ___ SHEETS	STA. _____ TO STA. _____	CONTRACT NO. 76E31				
		CHECKED - ---	REVISED - ---		FED. ROAD DIST. NO. _____ ILLINOIS FED. AID PROJECT							
		DATE - -----	REVISED - ---									

FINAL SURVEY NOTE BOOK NO.	SURVEYED PLOTTED TEMPLATE AREAS CHECKED	BY	DATE

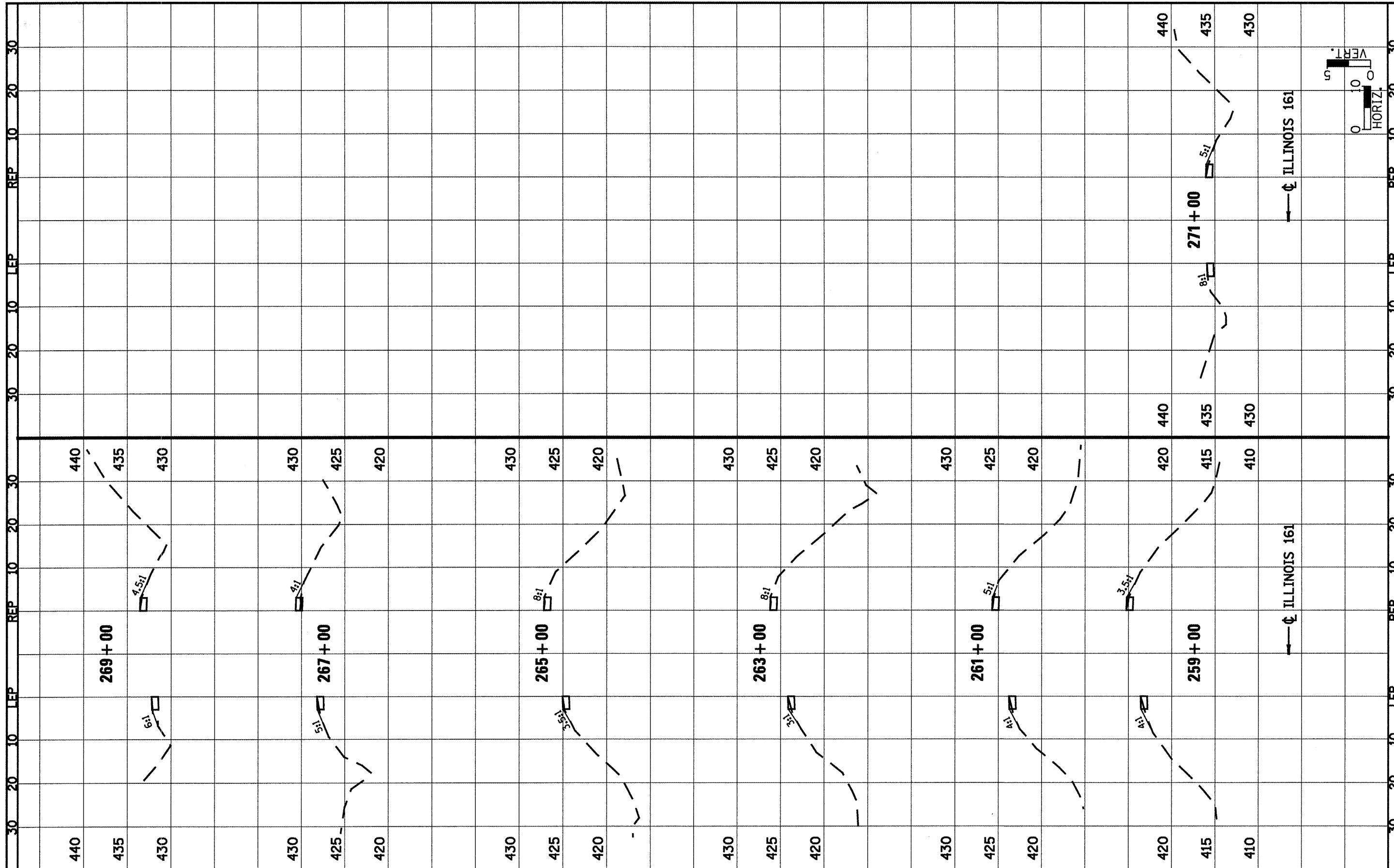
ORIGINAL SURVEY NOTE BOOK NO.	SURVEYED PLOTTED TEMPLATE AREAS CHECKED	BY	DATE



FILE NAME =	USER NAME = #USER*	DESIGNED -	REVISED -	STATE OF ILLINOIS DEPARTMENT OF TRANSPORTATION	CROSS SECTIONS (ILLINOIS 161)		F.A.P. RTE. 805	SECTION 3-1	COUNTY CLINION	TOTAL SHEETS 8	SHEET NO. 7	
FILE#	PLOT SCALE = #SCALE	DRAWN -	REVISED -		SCALE: _____	SHEET NO. 1 OF 2 SHEETS	STA. 235+00 TO STA. 257+00	CONTRACT NO. 76E31		(ILLINOIS) FED. AID PROJECT		
	PLOT DATE = #DATE*	CHECKED -	REVISED -									
		DATE -	REVISED -									

FINAL SURVEY	SURVEYED	BY	DATE
NOTE BOOK NO.	PLOTTED		
	REPLATE		
	AREAS CHECKED		

ORIGINAL SURVEY	SURVEYED	BY	DATE
NOTE BOOK NO.	PLOTTED		
	REPLATE		
	AREAS CHECKED		



FILE NAME =	USER NAME = *USER*	DESIGNED -	REVISED -	STATE OF ILLINOIS DEPARTMENT OF TRANSPORTATION	CROSS SECTIONS (ILLINOIS 161)	F.A.P. R.T.C.:	SECTION	COUNTY	TOTAL SHEETS	SHEET NO.	
#FILE#	PLOT SCALE = *SCALE*	DRAWN -	REVISED -			809	3-1	CLINTON	8	8	
	PLOT DATE = *DATE*	CHECKED -	REVISED -			SCALE: SHEET NO. 2 OF 2 SHEETS STA. 259+00 TO STA. 271+00		CONTRACT NO. 76E31		ILLINOIS FED. AID PROJECT	
		DATE	REVISED -								