

F.A.P. RTE.	SECTION	COUNTY	TOTAL SHEETS	SHEET NO.
793	112-1	BOND	8	1
		ILLINOIS	CONTRACT NO. 76E32	

STATE OF ILLINOIS
DEPARTMENT OF TRANSPORTATION
DIVISION OF HIGHWAYS

**PROPOSED
HIGHWAY PLANS**

FAP ROUTE 793 (IL 143)
SECTION 112-1
PROJECT HSIP-0793(021)
HSIP - SAFETY SHOULDER & RUMBLE STRIP
BOND COUNTY

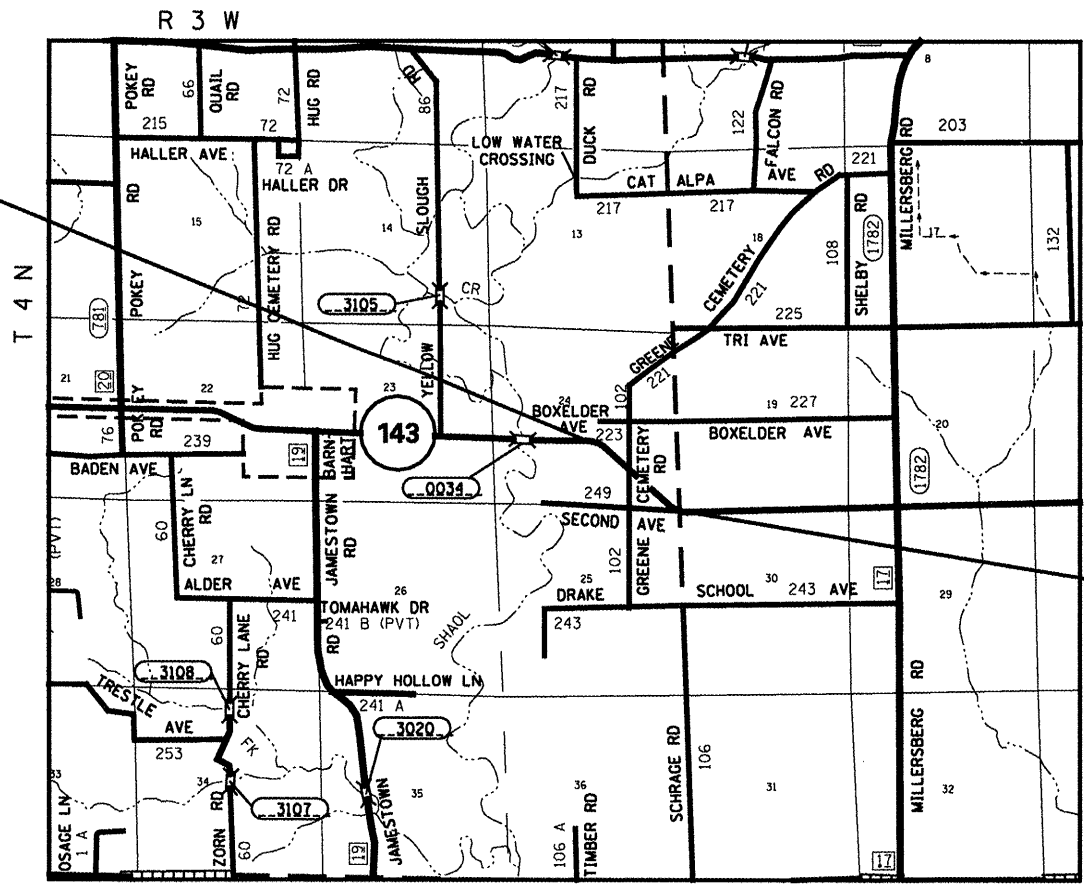
C-98-011-11

INDEX OF SHEETS

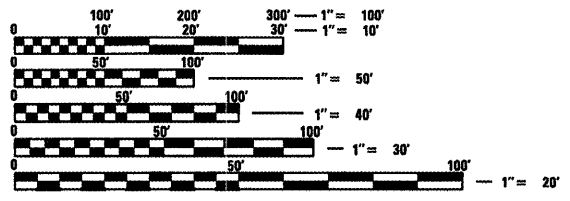
1. COVER SHEET, PROJECT LIMITS, ADT
2. GENERAL NOTES, STANDARDS, COMMITMENTS
3. SUMMARY OF QUANTITIES
4. LOCATION MAP
5. SCHEDULES
6. TYPICAL SECTION
- 7.-8. CROSS SECTION SHEETS



BEGIN PROJECT:
STA. 407 + 00
LAT: 38.775802
LONG: -89.495812



END PROJECT:
STA. 451 + 00
LAT: 38.769712
LONG: -89.481209



FULL SIZE PLANS HAVE BEEN PREPARED USING STANDARD ENGINEERING SCALES. REDUCED SIZED PLANS WILL NOT CONFORM TO STANDARD SCALES. IN MAKING MEASUREMENTS ON REDUCED PLANS, THE ABOVE SCALES MAY BE USED.

J.U.L.I.E.
JOINT UTILITY LOCATION INFORMATION FOR EXCAVATION
1-800-892-0123
OR 811

PROJECT ENGINEER: PATTI LEBEAU (618)346-3179
PROJECT MANAGER: CHERYL KEPLAR (618)346-3186

CONTRACT NO. 76E32

GROSS LENGTH = 4,400 FT. = 0.83 MILE
NET LENGTH = 4,400 FT. = 0.83 MILE

NOT TO SCALE

FUNCTIONAL CLASSIFICATION:
RURAL MINOR ARTERIAL

TRAFFIC DATA:
2009 = 2050
2011 = 2100
2030 = 2600
SU = 4.4%
MU = 4.9%

STATE OF ILLINOIS
DEPARTMENT OF TRANSPORTATION
DIVISION OF HIGHWAYS

SUBMITTED *Feb 7 2011*
[Signature]
DEPUTY DIRECTOR OF HIGHWAYS, REGION 5 ENGINEER

March 20 11
Scott C. Stitt, P.E.
ENGINEER OF DESIGN AND ENVIRONMENT

March 20 11
Christine M. Reeder
DIRECTOR OF HIGHWAYS, CHIEF ENGINEER

PRINTED BY THE AUTHORITY
OF THE STATE OF ILLINOIS

GENERAL NOTES

1. THE STANDARDS AND REVISION NUMBERS LISTED SHALL APPLY TO THIS PROJECT.

2. ILLINOIS STATE LAW REQUIRES A 48-HOUR NOTICE BE GIVEN TO ALL UTILITIES BEFORE DIGGING. FIELD MARKING OF FACILITIES MAY BE OBTAINED BY CONTACTING J.U.L.I.E. OR FOR NON-MEMBERS, THE UTILITY COMPANY DIRECTLY. AGENCIES KNOWN TO HAVE FACILITIES WITHIN THE PROJECT AREA ARE AS FOLLOWS:

- AT&T ILLINOIS - COMMUNICATIONS AERIAL, BURIED
- BOND MADISON WATER COMPANY - WATER BURIED
- CENTERPOINT ENGERY - PIPELINE BURIED
- FRONTIER NORTH, INC. - COMMUNICATIONS AERIAL, BURIED
- SOUTHWESTERN ELECTRIC COOPERATIVE, INC - ELECTRIC AERIAL

MEMBERS OF J.U.L.I.E. (800) 892-0123 ARE INDICATED BY •. NON-J.U.L.I.E. MEMBERS MUST BE NOTIFIED INDIVIDUALLY.

3. THE CONTRACTOR SHALL VERIFY ALL DIMENSIONS AND CONDITIONS IN THE FIELD PRIOR TO CONSTRUCTION AND ORDERING OF MATERIALS.

4. 'ROAD CONSTRUCTION AHEAD' SIGNS SHALL BE PLACED AT EACH END OF THE PROJECT PLUS THE INTERSECTING SIDEROADS, AND WILL BE CONSIDERED INCLUDED IN THE TRAFFIC CONTROL PAY ITEMS. ALL CONSTRUCTION SIGNS SHALL BE FLUORESCENT ORANGE AND 48" X 48".

5. THE FOLLOWING SUPERPAVE MIXTURE REQUIREMENTS ARE APPLICABLE FOR THIS PROJECT:

MIXTURE USE	SHOULDER >2.25"	SHOULDER <2.25"
AC/PG	PG 64-22	PG 64-22
RAP % (MAX)	SEE CONTRACT RAP	SEE CONTRACT RAP
DESIGN AIR VOIDS	SPECIAL PROVISION	SPECIAL PROVISION
MIX COMPOSITION	••2.0% @ Ndes=30	••2.0% @ Ndes=30
(GRADATION MIXTURE)	NMAS 3/4"	NMAS 1/2"
FRICITION AGG		

••TOP LIFT SHOULDERS - DESIGN THIS MIX AT 2.0% VOIDS AND ADD ASPHALT TO REDUCE VOIDS TO 1.5%

PLAN QUANTITIES FOR HMA (HOT MIX ASPHALT) CONCRETE SURFACE COURSE ITEMS ARE CALCULATED USING A UNIT WEIGHT OF 112 LB/SQ YD/IN.

6. ANY EXCAVATION OR DROP-OFF MORE THAN 3" AT EDGE OF PAVEMENT SHALL BE PROTECTED WITH EXTENDED LEG BARRICADES AND APPROPRIATE LIGHTING.

7. NO OVERNIGHT LANE CLOSURES WILL BE ALLOWED.

8. IF ANY UNSUITABLE MATERIAL IS ENCOUNTERED DURING CONSTRUCTION, IT WILL BE NECESSARY TO REMOVE THE UNSUITABLE MATERIAL AND REPLACE IT WITH SUITABLE MATERIAL AS APPROVED BY THE ENGINEER.

9. ALL AREAS DISTURBED FOR ANY REASON SHALL BE SEEDED WITH CLASS 2A SEEDING AS DIRECTED BY THE ENGINEER. NUTRIENTS SHALL CONFORM TO ARTICLE 250.04.

10. MULCH SHALL CONFORM TO SECTION 251 OF THE STANDARD SPECIFICATIONS. MULCH, UNLESS OTHERWISE PERMITTED BY ENGINEER, SHALL CONFORM TO METHOD 2, PROCEDURE 2 AS SPECIFIED IN ARTICLE 251.

11. THE CONTRACTOR AND ENGINEER SHALL BE AWARE THAT NO SURVEY WAS PREFORMED FOR THIS PROJECT. THE STATIONING AND TOPO SHOWN IN THE PLANS WAS CREATED USING MICROFLIM AND FIELD MEASUREMENTS MADE BY DESIGN PERSONNEL. BOTH SHAL BE ASSUMED TO BE APPROXIMATE.

12. EXCEPT WHERE DESIGNATED OTHERWISE, THE LOCATIONS AND/OR DEPTHS OF UNDERGROUND UTILITIES SHOWN HAVE BEEN TAKEN FROM OFFICE RECORD INFORMATION FURNISHED BY THE UTILITY OWNERS AND MUST BE CONSIDERED APPROXIMATE.

13. EARTHWORK FROM EARTH EXCAVATION IS TO BE USED FOR EARTH SHOULDERS. NO ADDITIONAL COMPENSATION SHALL BE APPLIED.

COMMITMENTS

NO COMMITMENTS

STANDARDS

- 000001-06
- 001006
- 482006-03
- 606101-04
- 642001-01
- 701006-03
- 701101-02
- 701106-02
- 701011-02
- 701201-04
- 701311-03
- 701326-04
- 701901-01
- 780001-02

FILE NAME =	USER NAME = *USER*	DESIGNED - ---	REVISED - ---	STATE OF ILLINOIS DEPARTMENT OF TRANSPORTATION	GENERAL NOTES, COMMITMENTS & STANDARDS	F.A.R. RTE.	SECTION	COUNTY	TOTAL SHEETS	SHEET NO.	
FILE#		DRAWN - ---	REVISED - ---			793	---112-1---	--BOND--	-8-	2	
	PLOT SCALE = *SCALE*	CHECKED - ---	REVISED - ---			CONTRACT NO. 76E32					
	PLOT DATE = *DATE*	DATE - -----	REVISED - ---			FED. ROAD DIST. NO. ILLINOIS FED. AID PROJECT					

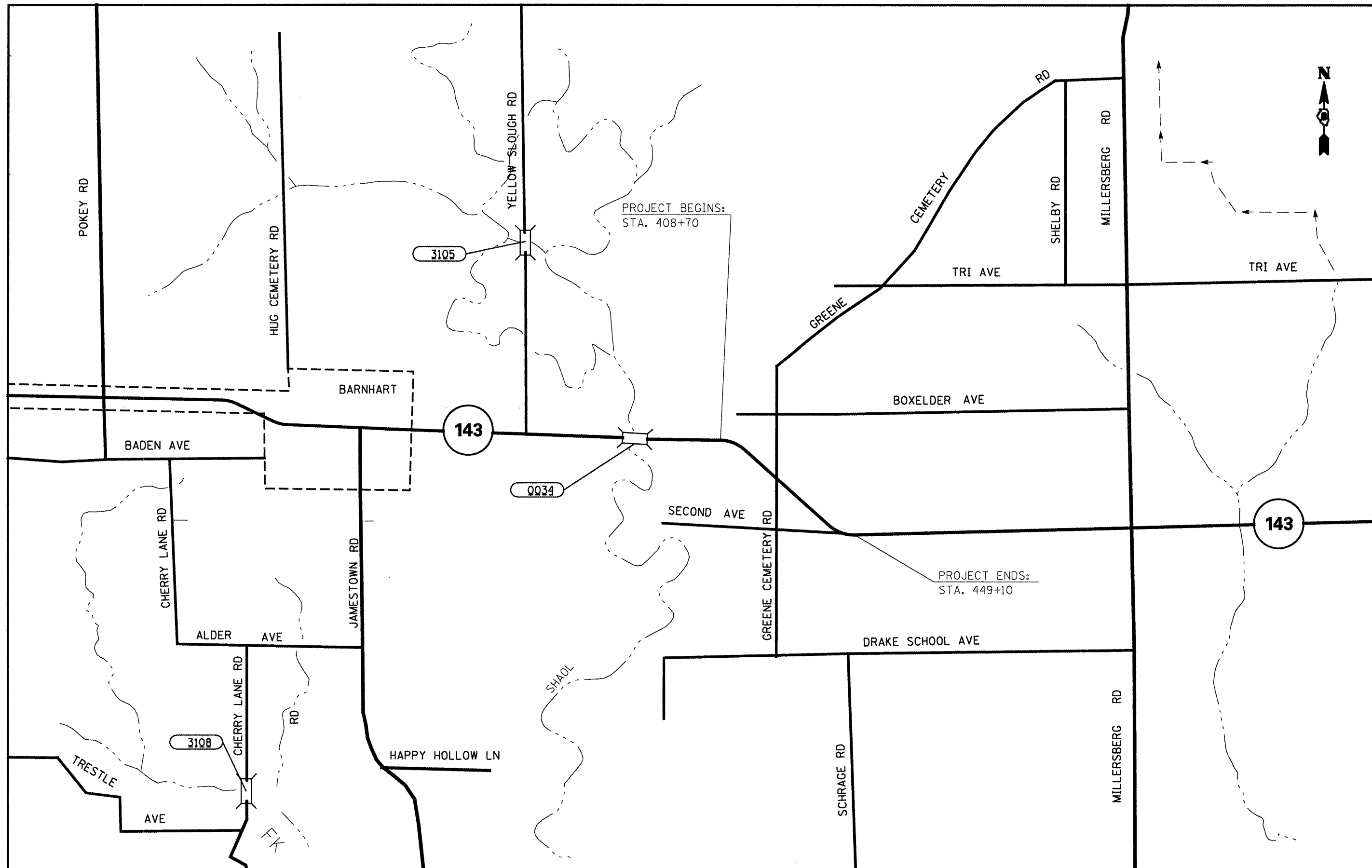
SUMMARY OF QUANTITIES

SUMMARY OF QUANTITIES			TOTAL QUANTITIES	CONSTRUCTION TYPE CODE			SUMMARY OF QUANTITIES			TOTAL QUANTITIES	CONSTRUCTION TYPE CODE		
CODE NO	ITEM	UNIT		0021 90% FED 10% STATE	---	---	CODE NO	ITEM	UNIT		---	---	---
20200500	EARTH EXCAVATION (WIDENING)	CU YD	695.7	695.7									
25000210	SEEDING, CLASS 2A	ACRE	1.61	1.61									
25000400	NITROGEN FERTILIZER NUTRIENT	POUND	145.5	145.5									
25000500	PHOSPHORUS FERTILIZER NUTRIENT	POUND	145.5	145.5									
25000600	POTASSIUM FERTILIZER NUTRIENT	POUND	145.5	145.5									
25100115	MULCH, METHOD 2	ACRE	1.61	1.61									
28000250	TEMPORARY EROSION CONTROL SEEDING	POUND	161	161									
28000400	PERIMETER EROSION BARRIER	FOOT	200	200									
48203029	HOT-MIX ASPHALT SHOULDERS, 8"	SQ YD	2933.3	2933.3									
64200105	SHOULDER RUMBLE STRIPS	FOOT	8800	8800									
67100100	MOBILIZATION	L SUM	1	1									
70100450	TRAFFIC CONTROL AND PROTECTION, STANDARD 701201	L SUM	1	1									
70103815	TRAFFIC CONTROL SURVEILLANCE	CAL DA	15	15									
70100500	TRAFFIC CONTROL AND PROTECTION, STANDARD 701326	L SUM	1	1									

FILE NAME =	USER NAME = *USER*	DESIGNED -	REVISED -	STATE OF ILLINOIS DEPARTMENT OF TRANSPORTATION	SCALE: _____	SHEET NO. _____ OF _____ SHEETS	STA. _____ TO STA. _____	F.A.P. RTE. _____	SECTION _____	COUNTY _____	TOTAL SHEETS _____	SHEET NO. _____
#FILE#		DRAWN -	REVISED -					.793	112-1	BOND	8	3
		CHECKED -	REVISED -									
		DATE	REVISED									

CONTRACT NO. 76E32

FED. ROAD DIST. NO. _____ ILLINOIS FED. AID PROJECT



FILE NAME =	USER NAME = #USER#	DESIGNED -	REVISED -
#FILE#		DRAWN -	REVISED -
	PLOT SCALE = #SCALE#	CHECKED -	REVISED -
	PLOT DATE = #DATE#	DATE -	REVISED -

**STATE OF ILLINOIS
DEPARTMENT OF TRANSPORTATION**

ROADWAY LAYOUT

SCALE: _____ SHEET NO. ____ OF ____ SHEETS STA. _____ TO STA. _____

F.A.P. RTE.	SECTION	COUNTY	TOTAL SHEETS	SHEET NO.
793	112-1	BOND	8	4
FED. ROAD DIST. NO. _____			ILLINOIS FED. AID PROJECT	
CONTRACT NO. 76E32				

STATION	END AREA		DIST FEET	EARTHWORK VOL			EARTHWORK BALANCE WASTE(+)/SHORTAGE(-) CU YD
	CUT	FILL		UNADJUSTED	ADJUSTED	FILL	
	SQ FT	SQ FT		CU YD	CU YD	CU YD	
407+00.00	4.00	1.00	200	29.6	22.2	8.9	13.3
409+00.00	4.00	1.40	200	29.6	22.2	7.1	15.1
411+00.00	4.00	0.53	200	29.6	22.2	5.7	16.5
413+00.00	4.00	1.00	200	29.6	22.2	9.3	12.9
415+00.00	4.00	1.50	200	29.6	22.2	10.0	12.2
417+00.00	4.00	1.20	200	29.6	22.2	8.1	14.1
419+00.00	4.00	0.98	200	29.6	22.2	7.3	14.9
421+00.00	4.00	1.00	200	29.6	22.2	5.6	16.6
423+00.00	4.00	0.50	200	29.6	22.2	3.0	19.2
425+00.00	4.00	0.30	200	29.6	22.2	3.2	19.0
427+00.00	4.00	0.56	200	29.6	22.2	5.2	17.0
429+00.00	4.00	0.85	200	29.6	22.2	4.4	17.8
431+00.00	4.00	1.00	400	59.3	44.5	11.7	32.8
433+00.00	4.00	0.35	200	29.6	22.2	3.4	18.8
435+00.00	4.00	0.58	200	29.6	22.2	5.9	16.3
437+00.00	4.00	1.00	200	29.6	22.2	5.0	17.2
439+00.00	4.00	0.34	200	29.6	22.2	3.3	18.9
441+00.00	4.00	0.56	200	29.6	22.2	5.0	17.2
443+00.00	4.00	0.79	200	29.6	22.2	5.0	17.2
445+00.00	4.00	0.56	200	29.6	22.2	3.4	18.8
447+00.00	4.00	0.35	200	29.6	22.2	5.0	17.2
449+00.00	4.00	1.00	200	29.6	22.2	7.4	14.8
451+00.00	4.00	1.00	200	14.8	11.1	3.7	7.4
453+00.00	0.00	0.00					
SUB-TOTAL				695.7	521.8	136.6	385.2

SHOULDER SCHEDULE						
STA.	TO	STA.	SIDE	LENGTH (FOOT)	HMA SHOULDERS 8" (SQ YD)	SHOULDER RUMBLE STRIP (FOOT)
407+00	TO	451+00	L/R	4400	2933.3	8800
TOTAL:					2933.3	8800

SEEDING									
STA.	TO	STA.	SIDE (L/T/R)	SEEDING CLASS 2 (ACRE)	NITROGEN FERTILIZER (POUND)	PHOSPHORUS FERTILIZER (POUND)	POTASSIUM NUTRIENT (POUND)	MULCH METHOD (ACRE)	PERIMETER EROSION BARRIER (FOOT)
407+00	TO	451+00	L	0.805	72.75	72.75	72.75	0.805	
407+00	TO	451+00	R	0.805	72.75	72.75	72.75	0.805	
409+00	TO	409+50	L/R						100
449+50	TO	450+00	L/R						100
TOTAL:				1.61	145.5	145.5	145.5	1.61	200

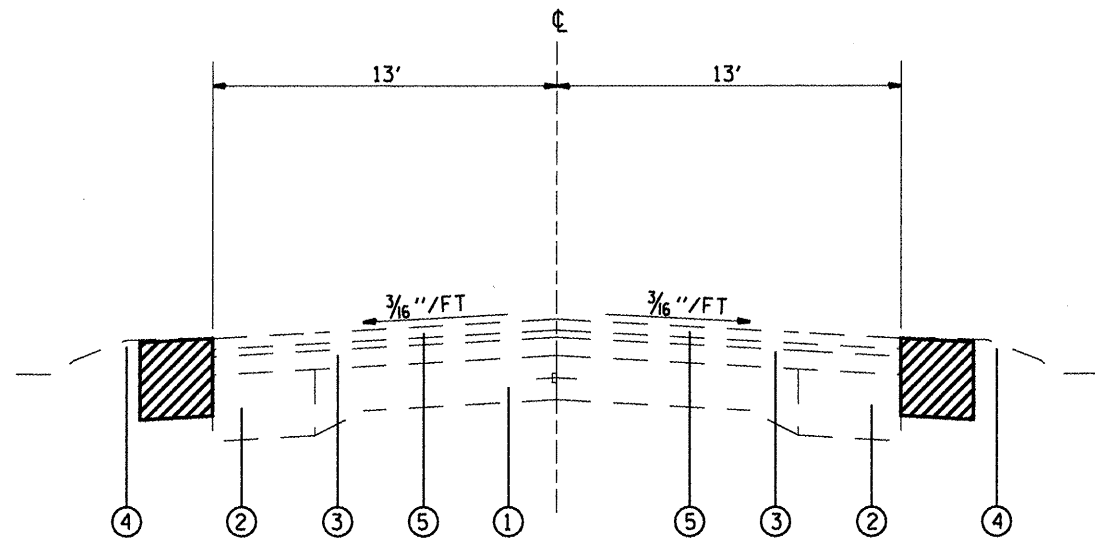
FILE NAME = #FILE#	USER NAME = #USER#	DESIGNED - ---	REVISED - ---
		DRAWN - ---	REVISED - ---
	PLOT SCALE = #SCALE#	CHECKED - ---	REVISED - ---
	PLOT DATE = #DATE#	DATE - -----	REVISED - ---

STATE OF ILLINOIS
DEPARTMENT OF TRANSPORTATION

SCHEDULES

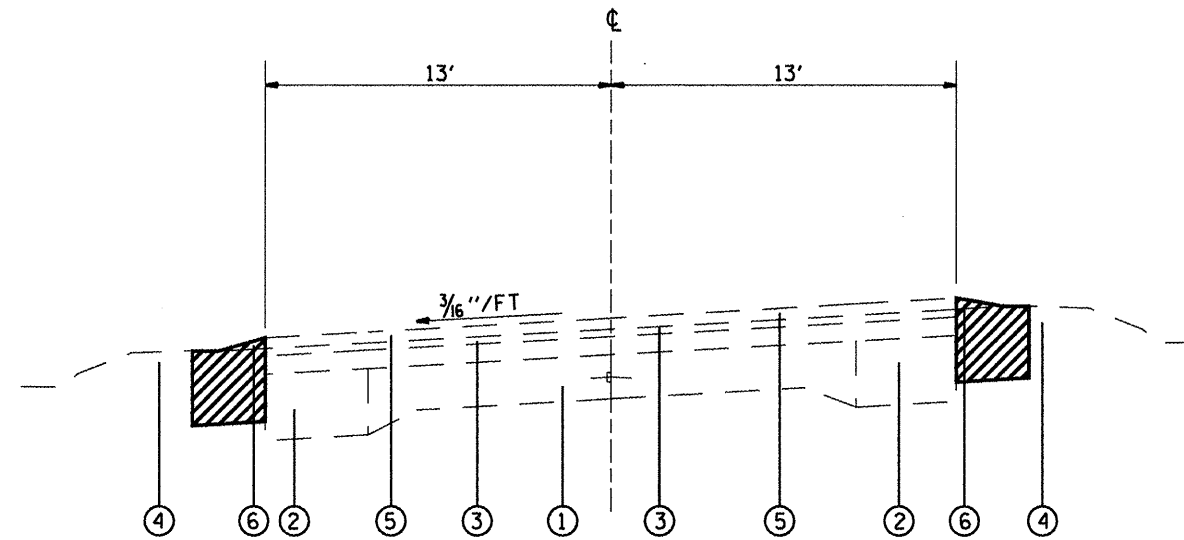
SCALE: _____ SHEET NO. ___ OF ___ SHEETS STA. _____ TO STA. _____

F.A.P. RTE.	SECTION	COUNTY	TOTAL SHEETS	SHEET NO.
793	112-1	BOND	8	5
CONTRACT NO. 78E32				
FED. ROAD DIST. NO. ILLINOIS FED. AID PROJECT				



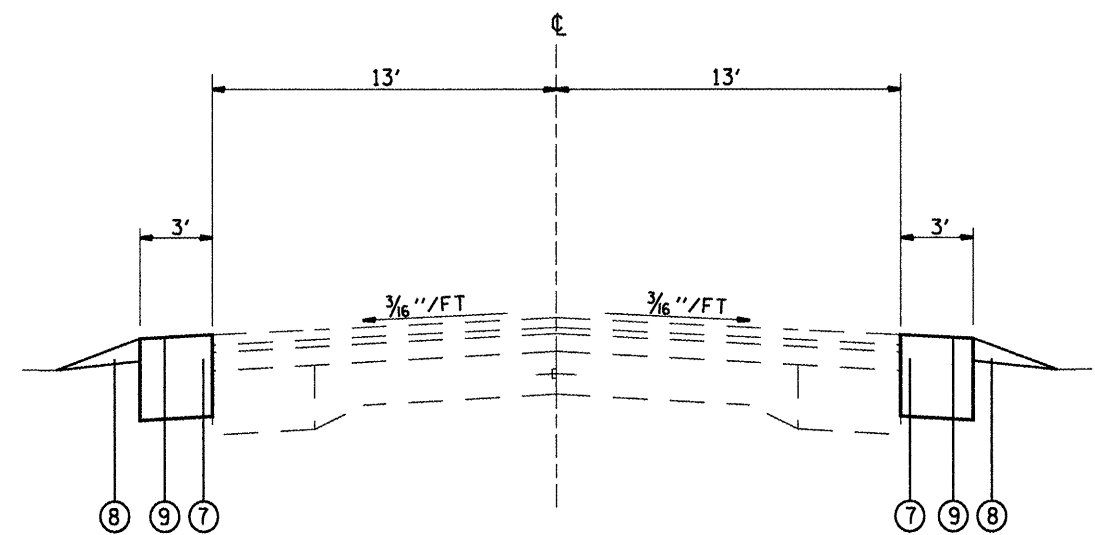
EXISTING TYPICAL SECTION

STA. 407+00 TO STA. 410+78.4
 STA. 420+28.8 TO STA. 435+60
 STA. 445+10.4 TO STA. 449+10



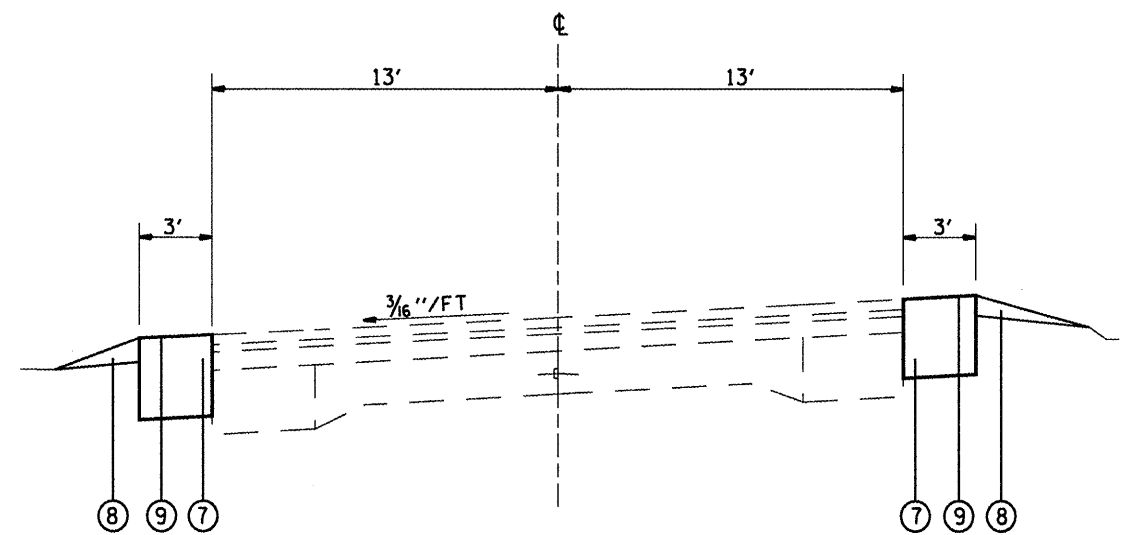
EXISTING SUPERELEVATED SECTION

STA. 410+78.4 TO STA. 420+28.8
 STA. 435+60 TO STA. 451+00



PROPOSED TYPICAL SECTION

STA. 407+00 TO STA. 410+78.4
 STA. 420+28.8 TO STA. 435+60
 STA. 445+10.4 TO STA. 449+10



PROPOSED SUPERELEVATED SECTION

STA. 410+78.4 TO STA. 420+28.8
 STA. 435+60 TO STA. 451+00



PROPOSED REMOVAL

LEGEND

- ① EXISTING PCC PAVEMENT 9-6-9
- ② EXISTING BASE COURSE WIDENING 9"
- ③ EXISTING RESURFACING 3"
- ④ EXISTING EARTH SHOULDER
- ⑤ EXISTING BIT. CONC. SURF. COURSE, MIX "D", CL I, TYPE 2, 1 1/2"
- ⑥ EXISTING AGGREGATE SHOULDER, TYPE B
- ⑦ PROPOSED HMA SHOULDER 8"
- ⑧ PROPOSED EARTH SHOULDER
- ⑨ PROPOSED RUMBLE STRIP

FILE NAME =	USER NAME = #USER#	DESIGNED -	REVISED -
#FILE#		DRAWN -	REVISED -
	PLOT SCALE = #SCALE#	CHECKED -	REVISED -
	PLOT DATE = #DATE#	DATE -	REVISED -

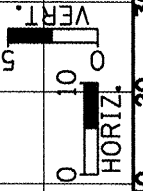
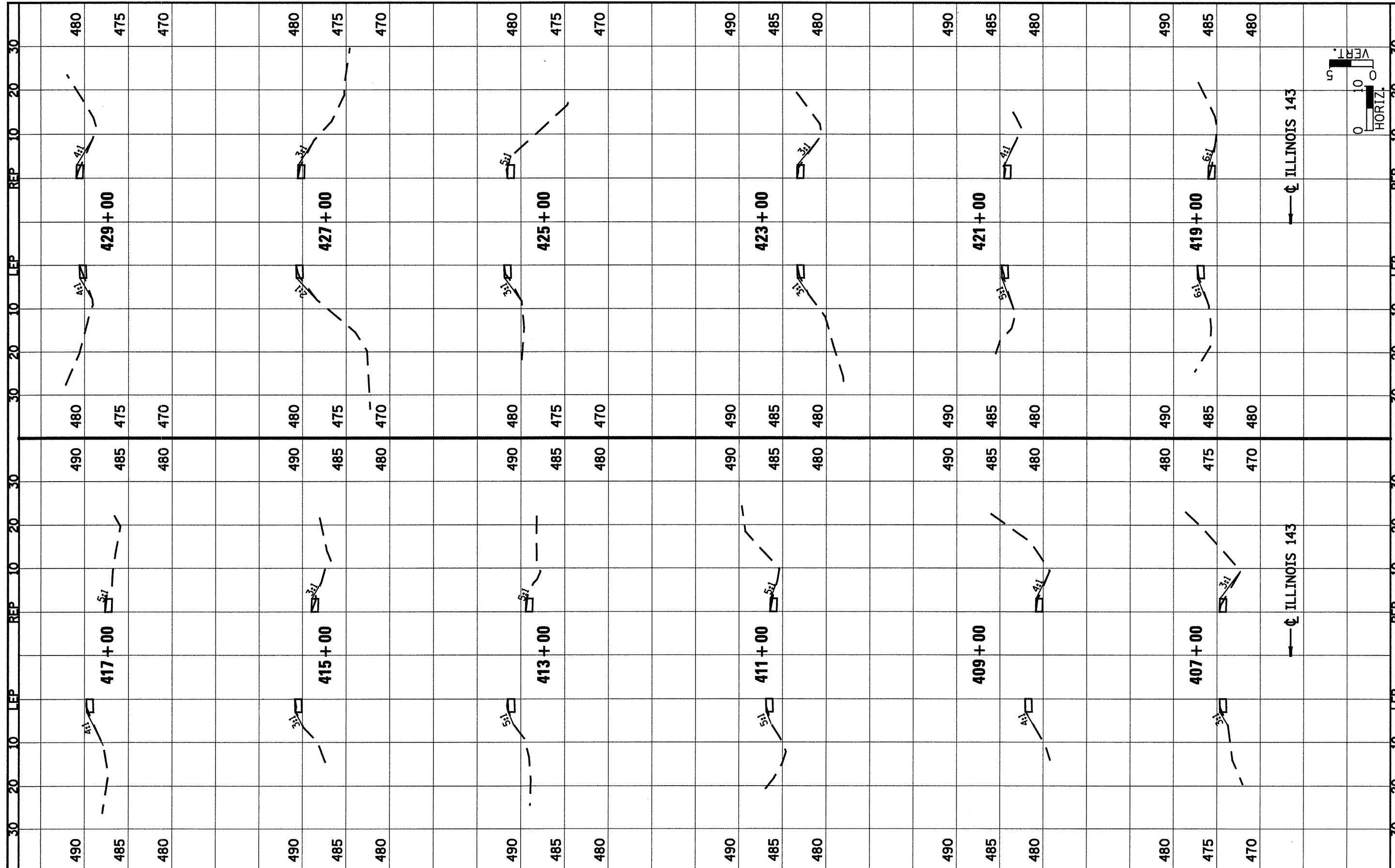
STATE OF ILLINOIS
 DEPARTMENT OF TRANSPORTATION

TYPICAL SECTION	
SCALE: _____	SHEET NO. _____ OF _____ SHEETS
STA. _____ TO STA. _____	

F.A.P. RTE. #	SECTION	COUNTY	TOTAL SHEETS	SHEET NO.
.793	.112-1	BOND	8	6
FED. ROAD DIST. NO. _____ (ILLINOIS) FED. AID PROJECT			CONTRACT NO. 76E32	

FINAL SURVEY	SURVEYED	BY	DATE
NOTE BOOK NO.	PLOTTED		
	TEMPLATE		
	AREAS CHECKED		

ORIGINAL SURVEY	SURVEYED	BY	DATE
NOTE BOOK NO.	PLOTTED		
	TEMPLATE		
	AREAS CHECKED		

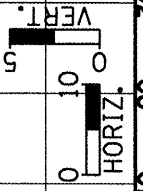
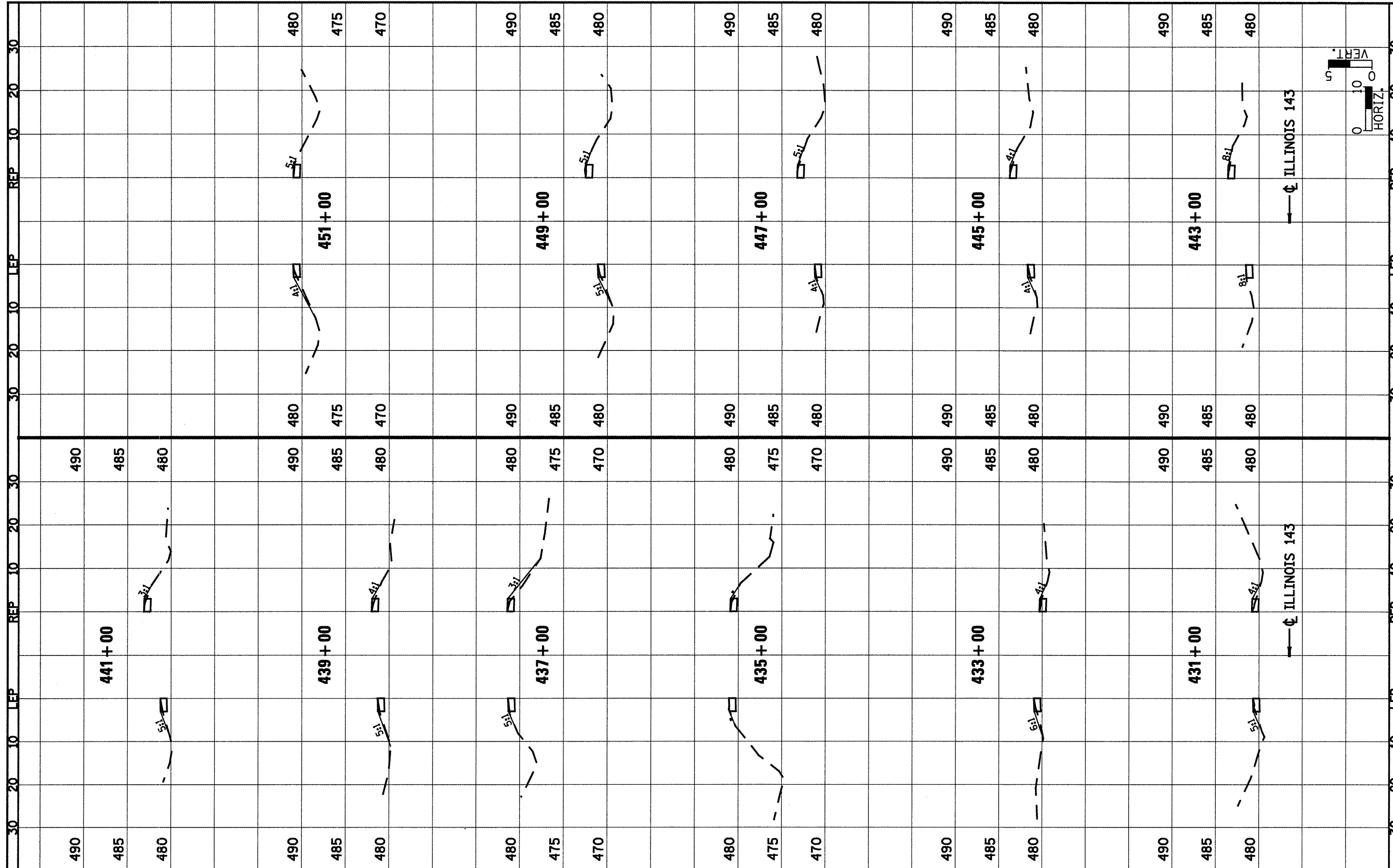


FILE NAME = #FILE#	USER NAME = #USER#	DESIGNED -	REVISOR -	STATE OF ILLINOIS DEPARTMENT OF TRANSPORTATION	CROSS SECTIONS (ILLINOIS 143)	F.A.E. RTE. 793	SECTION 112-1	COUNTY BOND	TOTAL SHEETS 8	SHEET NO. 7	
	PLOT SCALE = #SCALE#	DRAWN -	REVISOR -			SCALE: SHEET NO. 1 OF 2 SHEETS	STA. 407+00 TO STA. 429+00	CONTRACT NO. 76E32		ILLINOIS FED. AID PROJECT	
	PLOT DATE = #DATE#	CHECKED -	REVISOR -								
		DATE -	REVISOR -								



FINAL	DATE
SURVEY	BY
NOTE BOOK	
NO.	
DESIGNED	
DRAWN	
CHECKED	
DATE	

ORIGINAL	DATE
SURVEY	BY
NOTE BOOK	
NO.	
DESIGNED	
DRAWN	
CHECKED	
DATE	



FILE NAME =	USER NAME = #USER*	DESIGNED -	REVISÉ -	STATE OF ILLINOIS DEPARTMENT OF TRANSPORTATION	CROSS SECTIONS (ILLINOIS 143)	F.A.E. RTE.:	SECTION	COUNTY	TOTAL SHEETS	SHEET NO.	
#FILE#	PLOT SCALE = #SCALE*	DRAWN -	REVISÉ -			793	112-1	BOGD	8	8	
	PLOT DATE = #DATE*	CHECKED -	REVISÉ -			CONTRACT NO. 76E32					
		DATE -	REVISÉ -			ILLINOIS FED. AID PROJECT					
SCALE: SHEET NO. 2 OF 2 SHEETS STA. 431+00 TO STA. 451+00											

