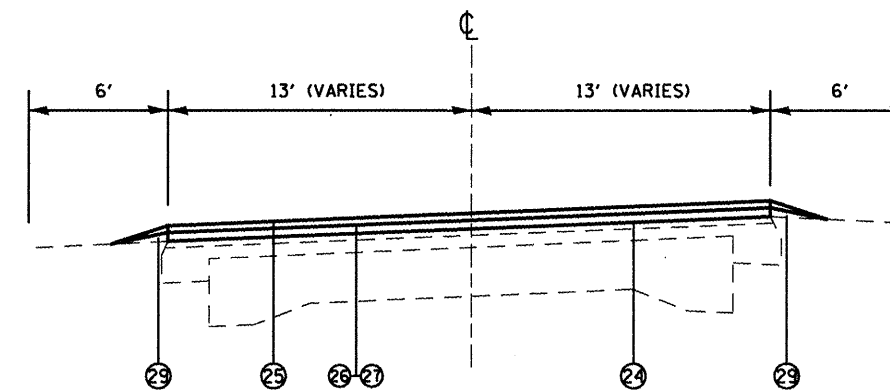
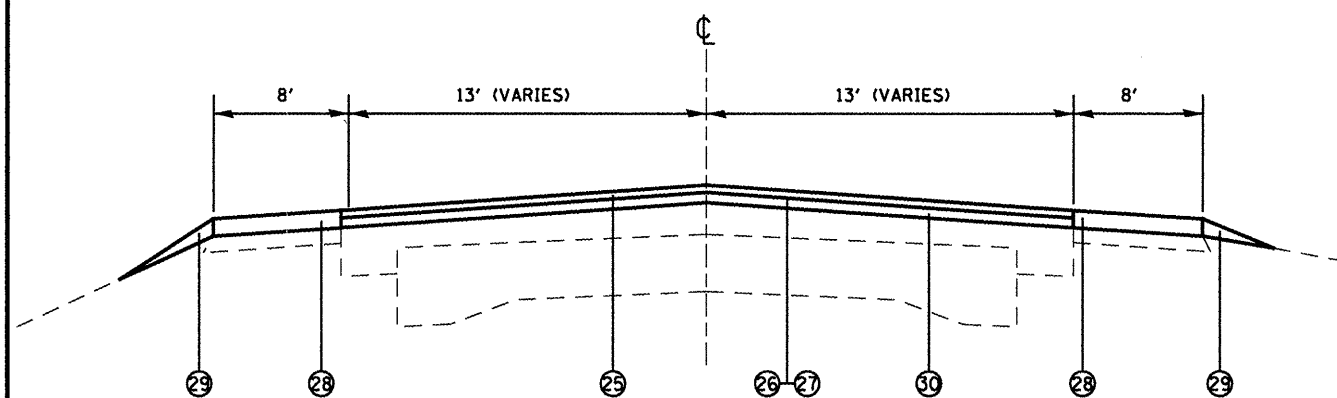


PROPOSED TANGENT SECTION
STA. 317+72 TO STA. 319+72

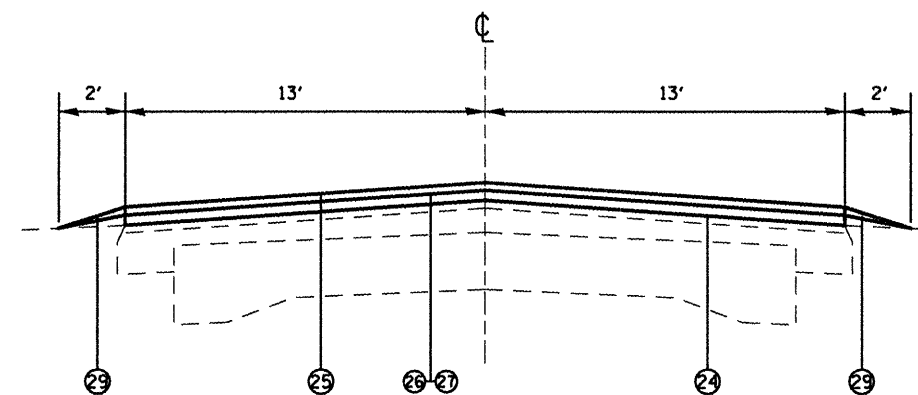


PROPOSED SUPERELEVATION TYPICAL SECTION

STA. 412+00.00 TO STA. 429+62.33
STA. 452+22.30 TO STA. 456+89.13

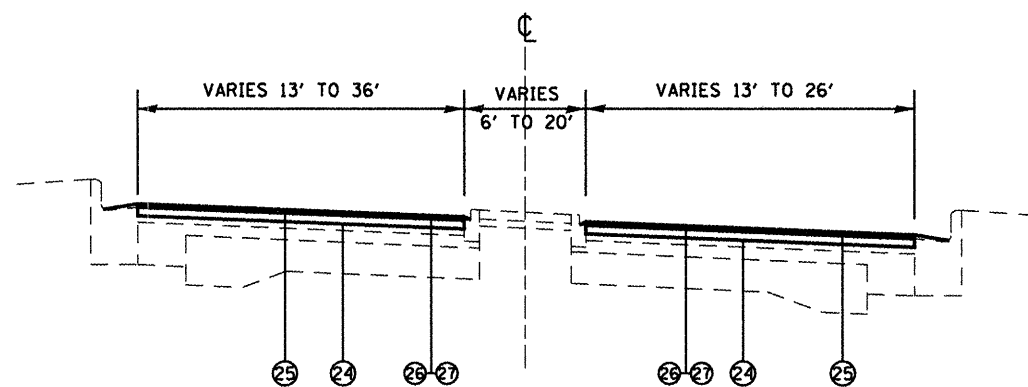


PROPOSED TYPICAL SECTION
STA. 402+60 TO STA. 406+73



PROPOSED TYPICAL SECTION

STA. 319+72.21 TO STA. 329+00.00
STA. 346+00.00 TO STA. 402+60.00
STA. 406+73.00 TO STA. 412+00.00
STA. 429+66.22 TO STA. 452+22.30
STA. 456+89.13 TO STA. 477+44.00



PROPOSED SUPERELEVATION TYPICAL SECTION
STA. 329+00 TO STA. 346+00

LEGEND

- 24 PROPOSED LEVELING BINDER (MACHINE METHOD), N70, 3/4"
- 25 PROPOSED POLY HMA SRFCE CRSE, MIX "D", N70, 1 1/2"
- 26 PROPOSED BITUMINOUS MATERIAL (PRIME COAT)
- 27 PROPOSED AGGREGATE (PRIME COAT)
- 28 PROPOSED HMA SHOULDER
- 29 PROPOSED AGGREGATE WEDGE SHOULDER
- 30 PROPOSED LEVELING BINDER (MACHINE METHOD), N70, 1"

FILE NAME =	USER NAME = #USER#	DESIGNED -	REVISED -
#FILE#		DRAWN -	REVISED -
	PLOT SCALE = #SCALE#	CHECKED -	REVISED -
	PLOT DATE = #DATE#	DATE -	REVISED -

STATE OF ILLINOIS
DEPARTMENT OF TRANSPORTATION

PROPOSED TYPICAL SECTION LOCATION #1	
IL 162 FROM IL 203 TO IL 111	
SCALE: _____	SHEET NO. ___ OF ___ SHEETS
STA. _____	TO STA. _____

F.A.P. RTE.	SECTION	COUNTY	TOTAL SHEETS	SHEET NO.
586	5185-415Z-1.51185-3	MADISON	33	11
FED. ROAD DIST. NO. (ILLINOIS) FED. AID PROJECT			CONTRACT NO. 76E49	