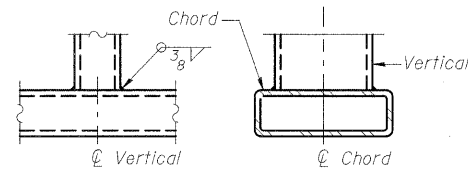
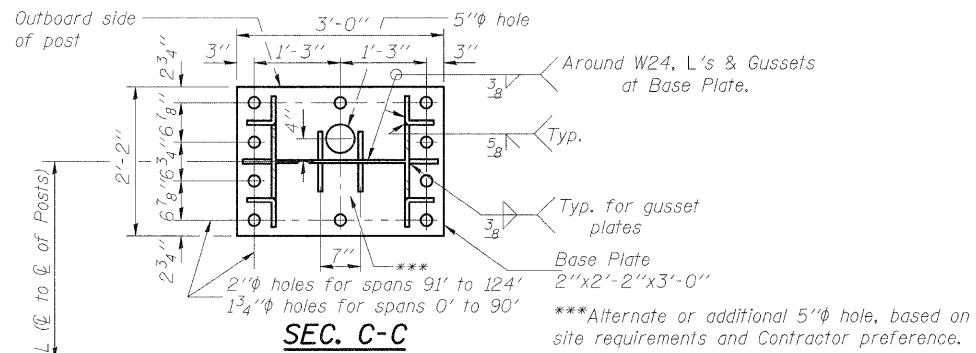
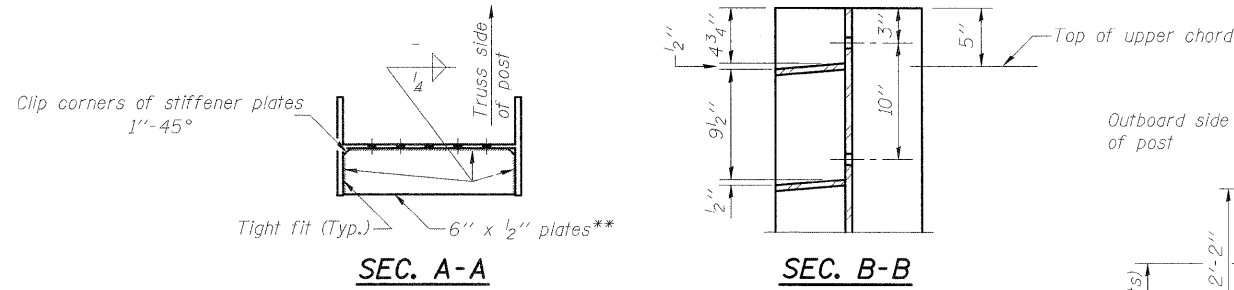


STATE OF ILLINOIS  
DEPARTMENT OF TRANSPORTATION

ROUTE NO.	SECTION	COUNTY	TOTAL SHEETS	SHEET NO.	SHEET NO.
FAP 310	60-15SG	MADISON	54	33	6 SHEETS
FED. ROAD DIST. NO. 7	ILLINOIS	FED. AID PROJECT-			

Contract #76E76

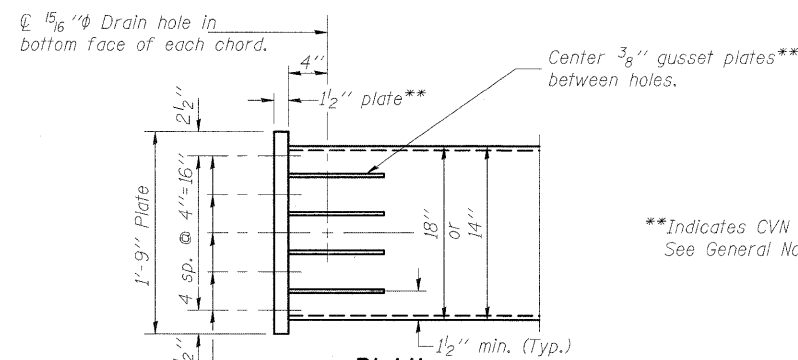
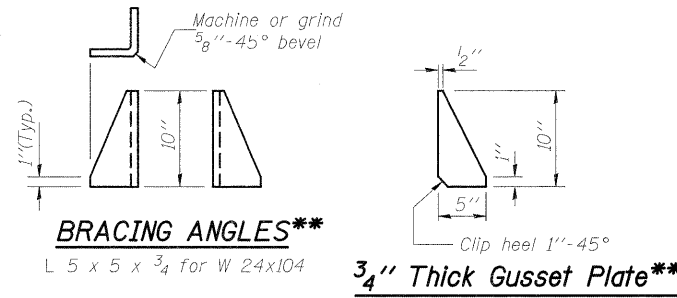


TYPICAL CONNECTION

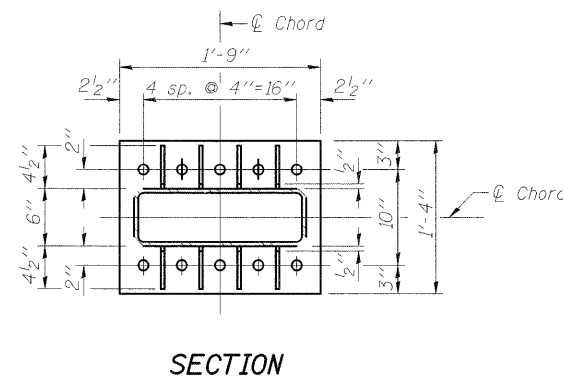
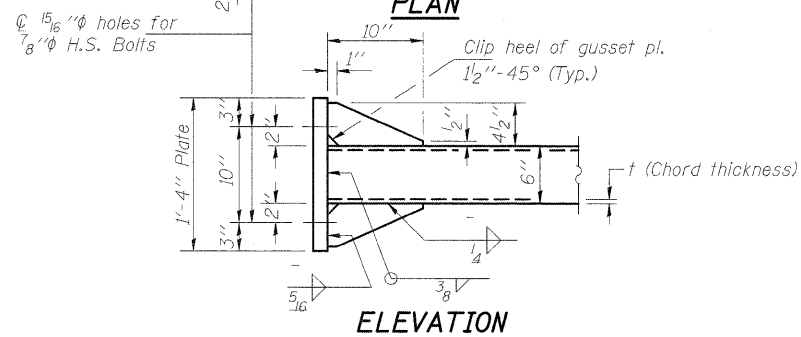
Chord to Vertical

See, also, Sheet OS-S-1

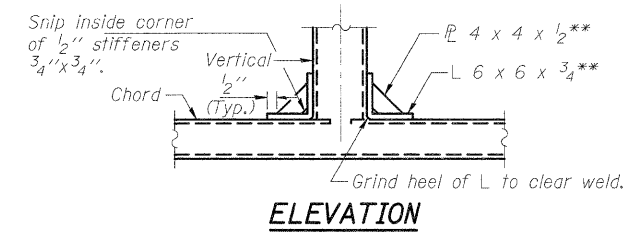
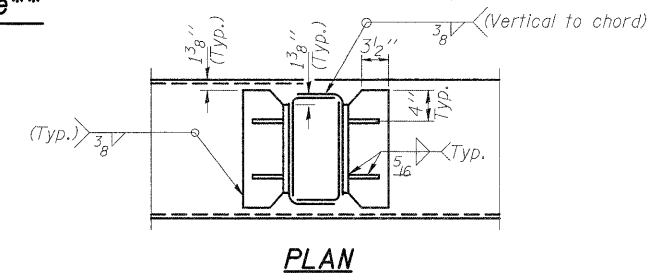
\* Weld = 7/16" for L = 120' to 124'



\*\*Indicates CVN Testing required. See General Notes.



CHORD END CONNECTION



STIFFENER DETAIL

OVERHEAD SIGN STRUCTURES  
POST AND CHORD DETAILS

FAP ROUTE 310 (IL 255)  
SECTION 60-15SG  
MADISON COUNTY

DESIGNED -	200
CHECKED -	EXAMINED
DRAWN -	PASSED
CHECKED -	

OS-S-3 SPECIAL 7/01/2006