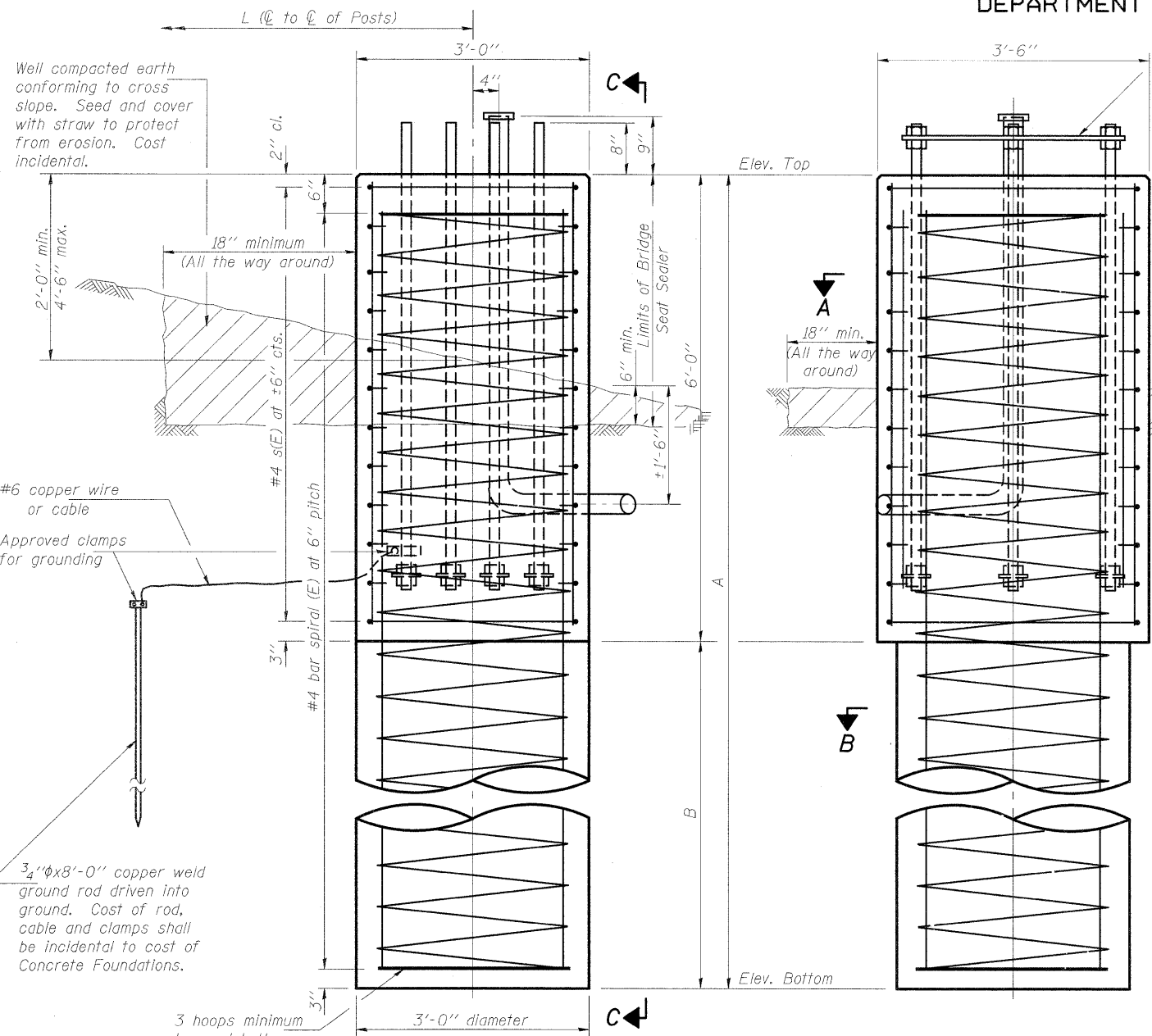


STATE OF ILLINOIS
DEPARTMENT OF TRANSPORTATION

ROUTE NO.	SECTION	COUNTY	TOTAL SHEETS	SHEET NO.
FAP 310	60-15SG	MADISON	54	36
FED. ROAD DIST. NO. 7	ILLINOIS	FED. AID PROJECT		

SHEET NO. 6
6 SHEETS

Contract #76E76



ELEVATION

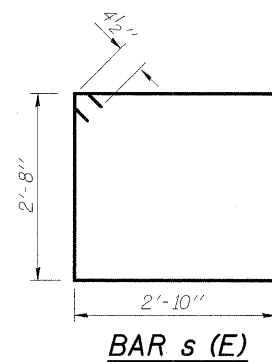
(Looking parallel to \hat{C} Roadway)

VIEW C-C

(Looking toward Roadway)

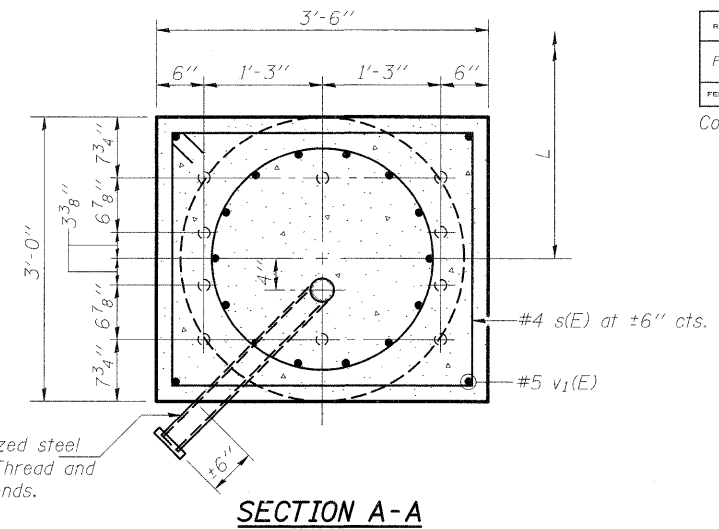
BAR LIST-EACH FOUNDATION

Bar	No.	Size	Length	Shape
s(E)	12	#4	11'-9"	□
v(E)	14	#9	B+(5'-7")	—
v ₁ (E)	4	#5	5'-3"	—
#4 bar spiral (E)-see Elevation				



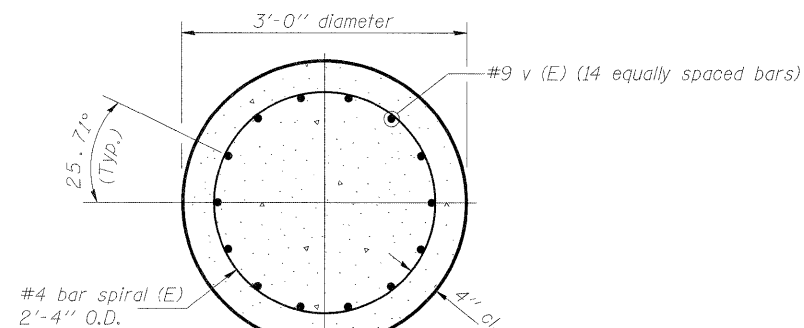
DEPTH TABLE

Span	B (min.)
70'	15'
80'	15'
90'	16'
100'	17'
110'	18'
124'	20'



SECTION A-A

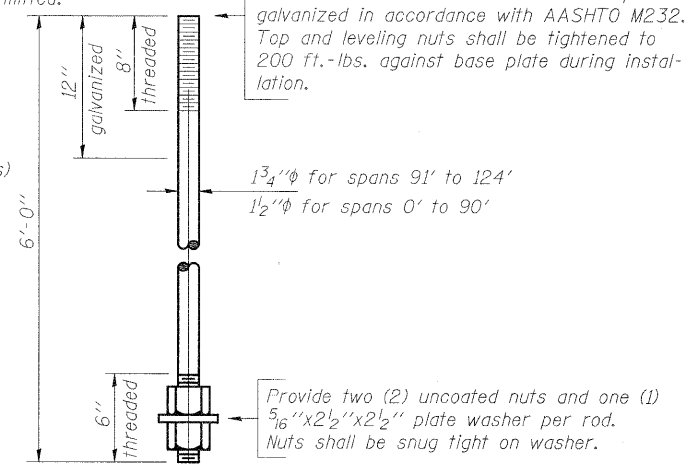
NOTE: The anchor bolts and reinforcing cage must be in place before pouring concrete, and shall be maintained in proper position during concreting. Concrete placement shall be continuous with no construction joints permitted.



SECTION B-B

ANCHOR BOLT DETAILS

AASHTO M314 Grade 55. Minimum Charpy V-notch energy requirement of 15 ft.-lbs. at +10° F. before galvanizing. No welding is permitted on rods. Galvanize upper 12" in accordance with AASHTO M232.



Sign Structure Number	Station	B	Anchor Bolt Size	Left Foundation			Right Foundation			Class SI Concrete
				Elev. Top	Elev. Btm.	A	Elev. Top	Elev. Btm.	A	
8S060S255R017.2	36+000	15'	1 1/2"	169.564	163.163	21'	169.564	163.163	21'	12.5'
8S060S255R018.6	38+225	15'	1 1/2"	181.571	175.170	21'	181.571	175.170	21'	12.5'
8S060S255R019.3	39+450	15'	1 1/2"	191.862	185.461	21'	191.150	185.749	21'	12.5'
8S060S255L020.0	40+450	15'	1 1/2"	189.000	182.599	21'	189.000	182.599	21'	12.5'

NOTES:

The foundation details shown are for Average Cohesive Soil Conditions (stiff clays, sandy clays) and with minimum $Q_u=1.0$ Tons/Sq. Ft., with "Qu" being the average value at various depths of the shaft as determined by previous soil borings.

Cost of excavation, reinforcement, anchor bolts, conduit, concrete, Bridge Seat Sealer and associated work is incidental to "Drilled Shaft Concrete Foundations".

**OVERHEAD SIGN STRUCTURES
FOUNDATION DETAILS**

FAP ROUTE 310 (IL 255)
SECTION 60-15SG
MADISON COUNTY

DESIGNED -	200
CHECKED -	EXAMINED
DRAWN -	PASSED
CHECKED -	