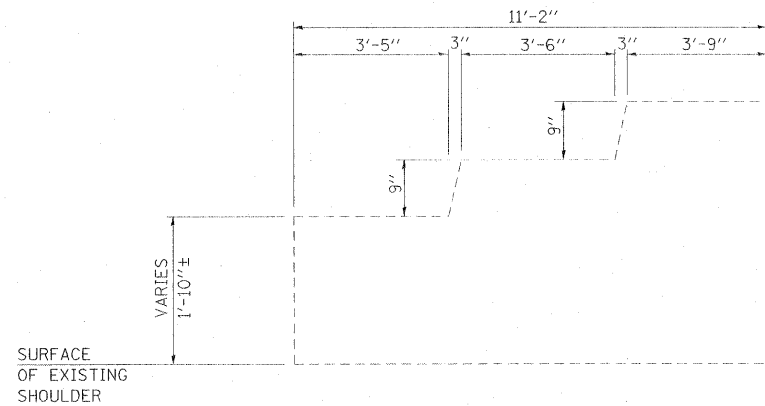
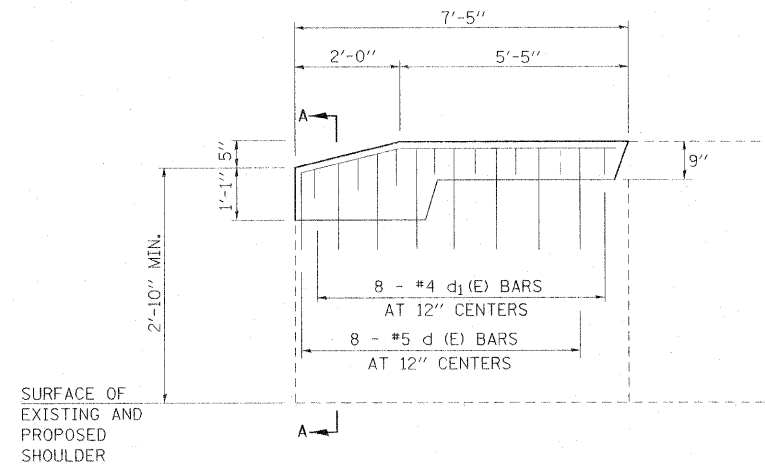


WINGWALL MODIFICATION FOR TYPE 6 TERMINALS

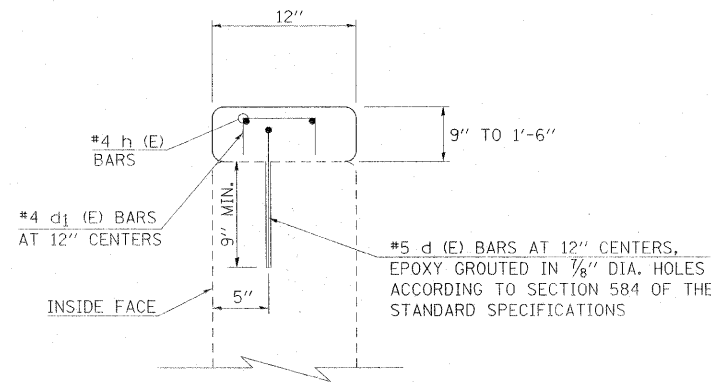


INSIDE ELEVATION (EXISTING)

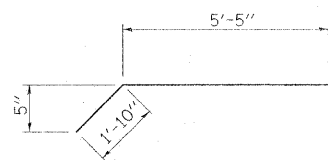
TO BE USED:
 SN 041-0012 (SW AND SE QUADRANTS)
 SN 041-0013 (NW AND NE QUADRANTS)



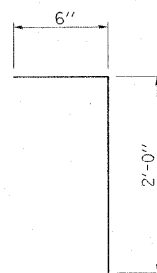
INSIDE ELEVATION (PROPOSED)



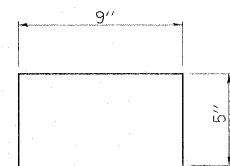
SECTION A-A



BAR h (E)



BAR d (E)



BAR d1 (E)

BILL OF MATERIAL

BAR	SIZE	NO.	LENGTH
d (E)	#5	8	2'-6"
d1 (E)	#4	8	1'-7"
h (E)	#4	2	7'-3"
CONCRETE SUPERSTRUCTURE			CU YDS 0.3
REINFORCEMENT BARS EPOXY COATED			LBS 40

NOTES:
 QUANTITIES ARE PER WING WALL.
 BARS DESIGNATED (E) SHALL BE EPOXY COATED.

TOTAL BILL OF MATERIAL

ITEM	UNIT	QUANTITY
PAVED SHOULDER REMOVAL	SQ YD	3204
10" PCC SHOULDER	SQ YD	3204
GUARDRAIL REMOVAL	FOOT	173
REINFORCEMENT BARS, EPOXY COATED	POUND	160
CONCRETE SUPERSTRUCTURE	CU YD	1.2
TRAFFIC BARRIER TERMINAL, TYPE 6	EACH	4
TEMPORARY CONCRETE BARRIER	FOOT	900
RELOCATE TEMPORARY CONCRETE BARRIER	FOOT	900
PAVEMENT MARKING REMOVAL	SQ FT	1450
TEMPORARY PAVEMENT MARKING - LINE 4"	FOOT	36,968
WORK ZONE PAVEMENT MARKING REMOVAL	SQ FT	12,322
TRAFFIC CONTROL AND PROTECTION, STD 701401	L SUM	1
TRAFFIC CONTROL AND PROTECTION, STD 701402	EACH	4
CHANGEABLE MESSAGE SIGN	CAL MO	24
IMPACT ATTENUATORS TEMPORARY (NON-REDIRECTIVE) TEST LEVEL 3	EACH	2
IMPACT ATTENUATORS RELOCATE (NON-REDIRECTIVE) TEST LEVEL 3	EACH	2

FILE NAME = c:\pwwork\pwwork\columb\cd165788\78172.sht.brg.dgn

USER NAME = columb	DESIGNED -	REVISED -
PLOT SCALE = 50.0000' / IN.	DRAWN -	REVISED -
PLOT DATE = 2/3/2011	CHECKED -	REVISED -
	DATE -	REVISED -

**STATE OF ILLINOIS
 DEPARTMENT OF TRANSPORTATION**

**DETAILS: WINGWALL MODIFICATION;
 TOTAL BILL OF MATERIAL**

SHEET NO. OF SHEETS

F.A.I. RTE.	SECTION	COUNTY	TOTAL SHEETS	SHEET NO.
57	(41-2-1,41-3,41-3-1R-1	JEFFERSON	422	143
CONTRACT NO. 78172				
ILLINOIS FED. AID PROJECT				