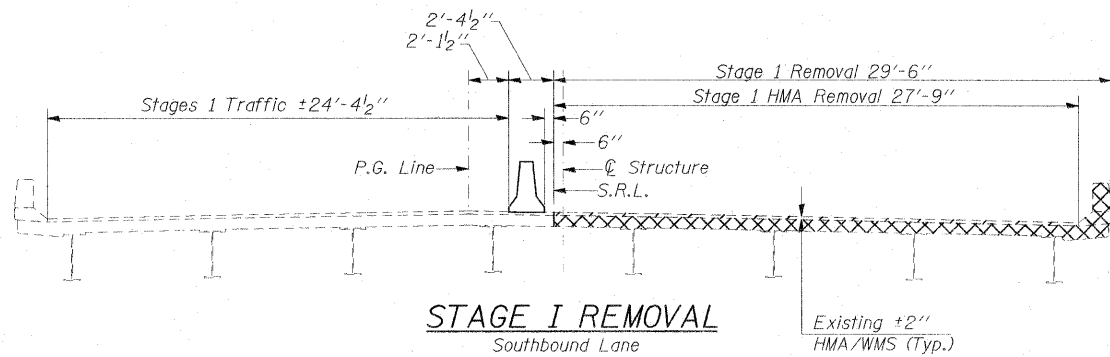
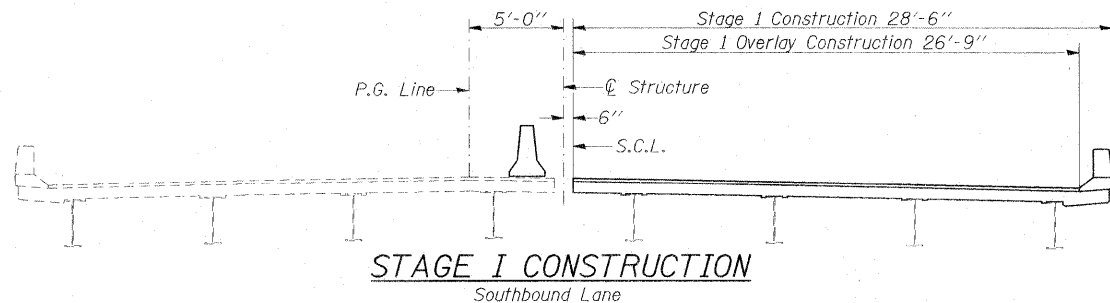


SECTIONS AT JOINTS

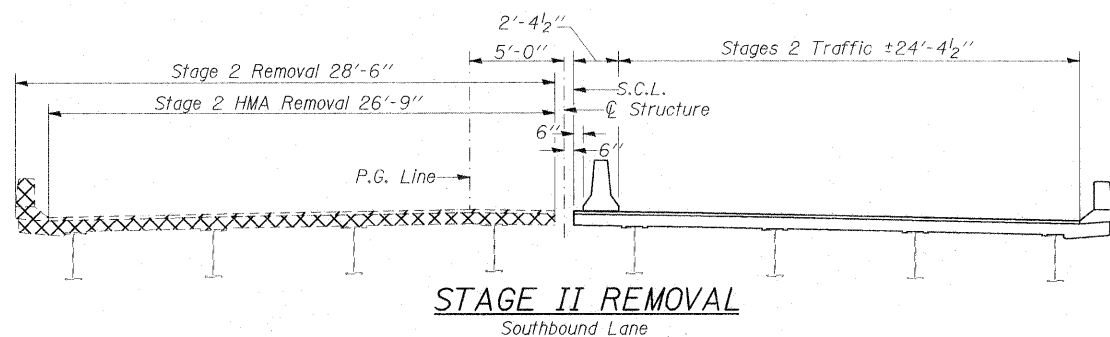
All Sections Looking North



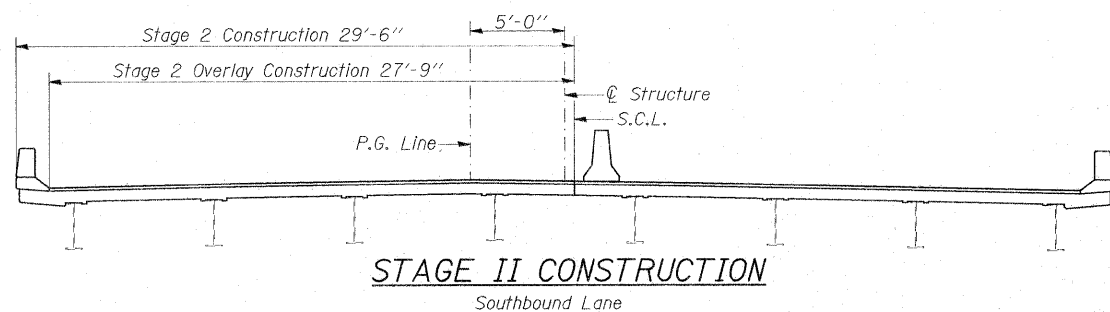
STAGE I REMOVAL
Southbound Lane



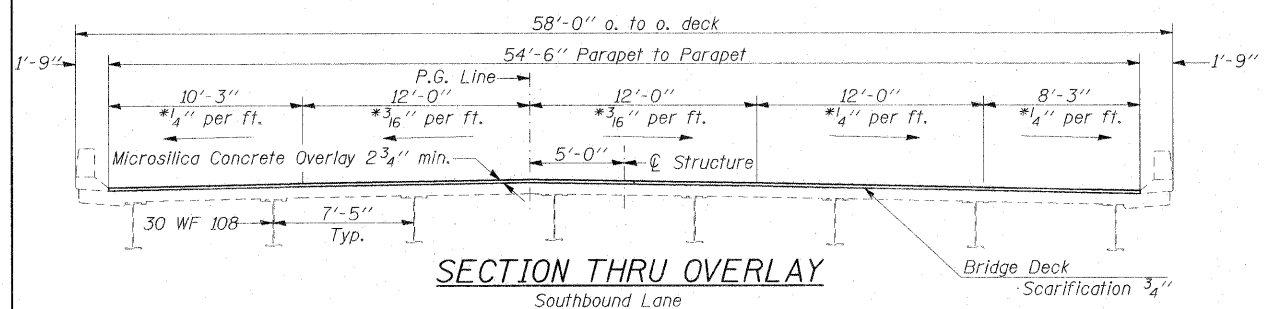
STAGE I CONSTRUCTION
Southbound Lane



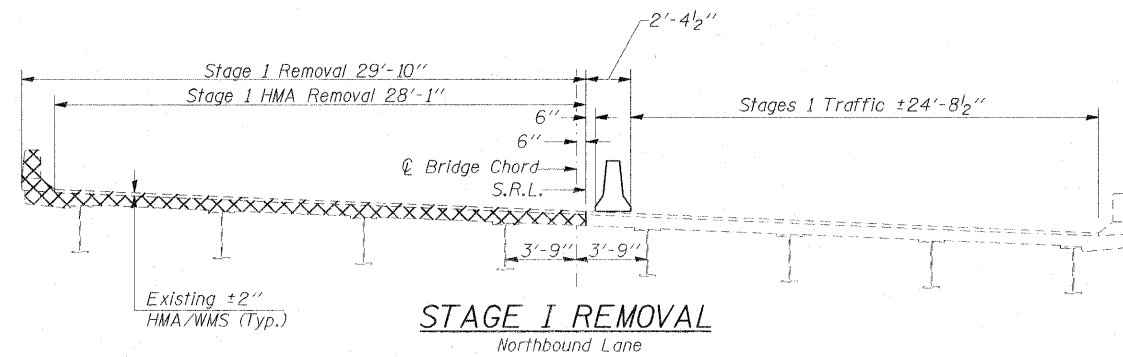
STAGE II REMOVAL
Southbound Lane



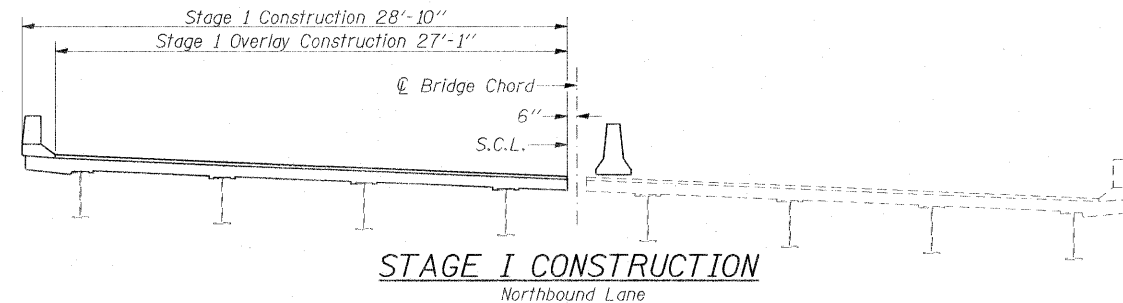
STAGE II CONSTRUCTION
Southbound Lane



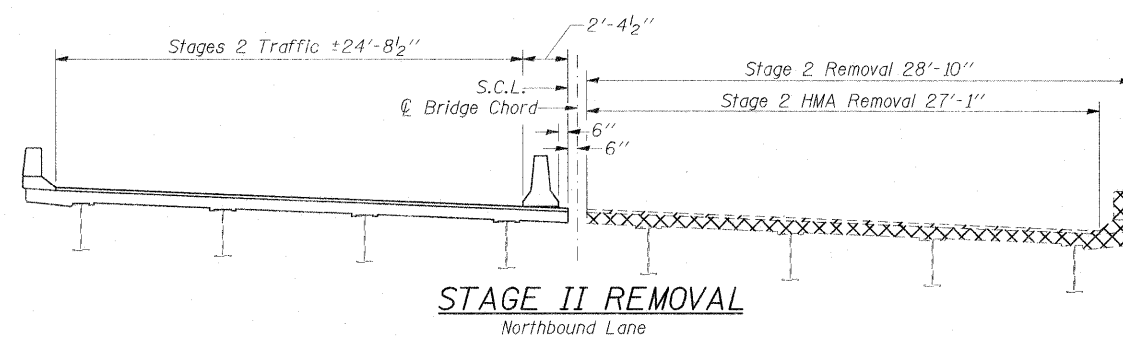
SECTION THRU OVERLAY
Southbound Lane



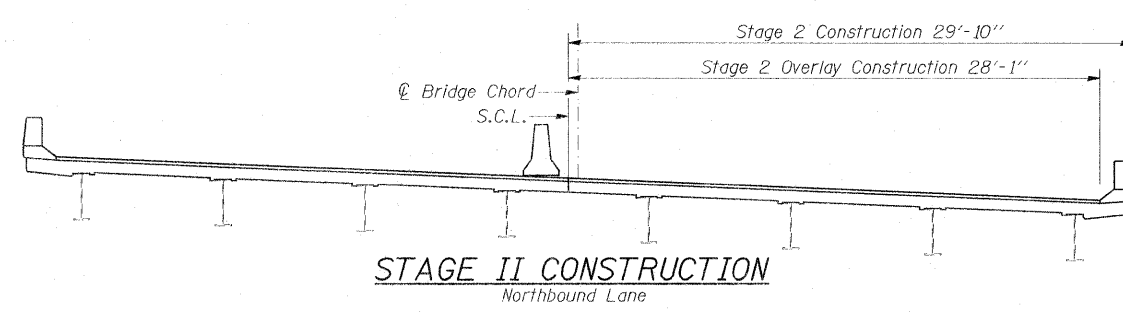
STAGE I REMOVAL
Northbound Lane



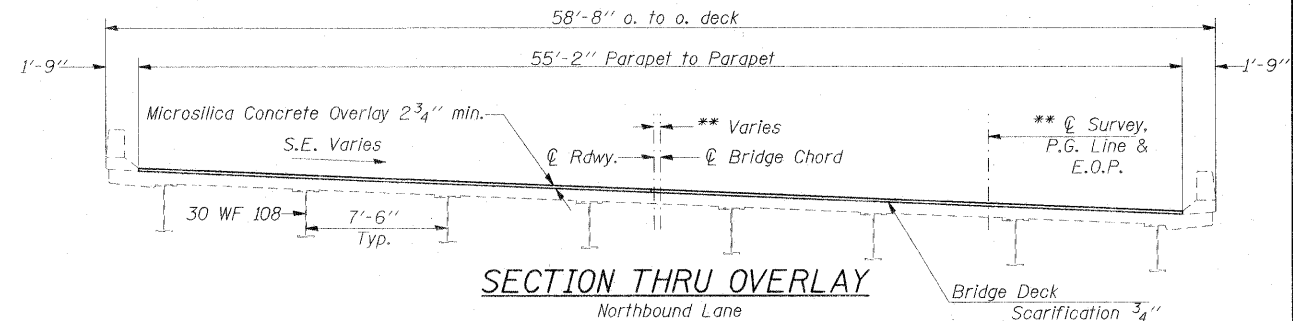
STAGE I CONSTRUCTION
Northbound Lane



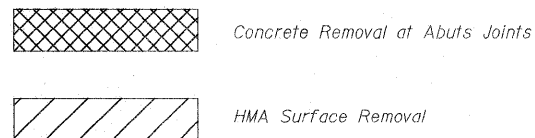
STAGE II REMOVAL
Northbound Lane



STAGE II CONSTRUCTION
Northbound Lane



SECTION THRU OVERLAY
Northbound Lane



NOTES:
* The proposed cross slopes match the original deck cross slopes.
** See the attached Existing Plans for additional details.

FILE NAME =	USER NAME = colemm	DESIGNED - TWH	REVISED -
c:\pw\work\p\p\dot\colemm\d0211660\1041-2022_0013shtr-plan.dgn		DRAWN - TWH	REVISED -
PLOT SCALE = 5,000/000 / IN.		CHECKED - MAS	REVISED -
PLOT DATE = 2/3/2011		DATE - 10/15/09	REVISED -

**STATE OF ILLINOIS
DEPARTMENT OF TRANSPORTATION**

STAGING DETAILS

SCALE: SHEET NO. 3 OF 11 SHEETS STA. TO STA.

F.A.I. RTE.	SECTION	COUNTY	TOTAL SHEETS	SHEET NO.
57	(41-2-1,41-3,41-3-1DR-1	JEFFERSON	244	146
CONTRACT NO. 78172				
FED. ROAD DIST. NO. ILLINOIS FED. AID PROJECT				