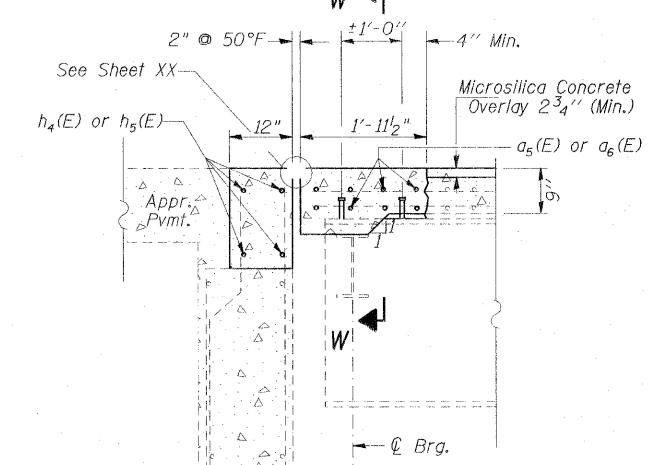


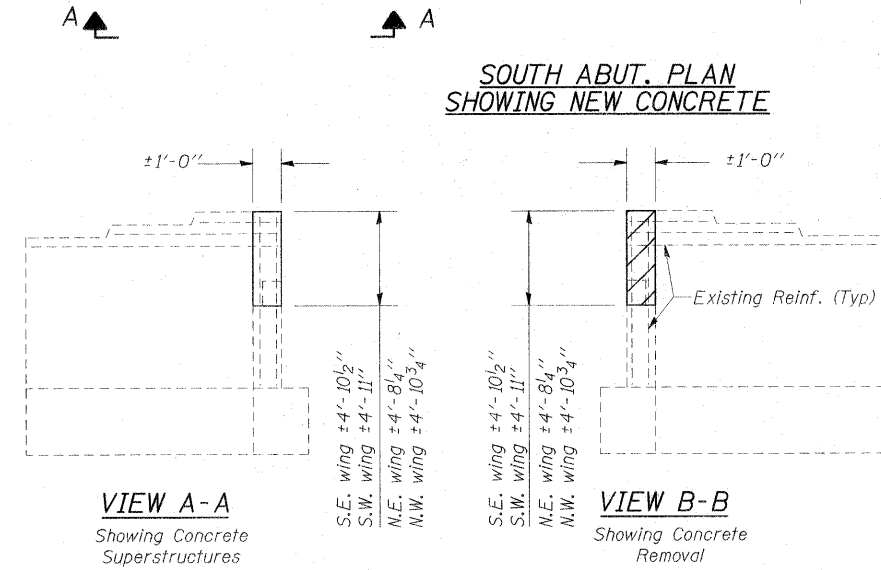
SECTION F-F

Dimensions measured @ Right Angles

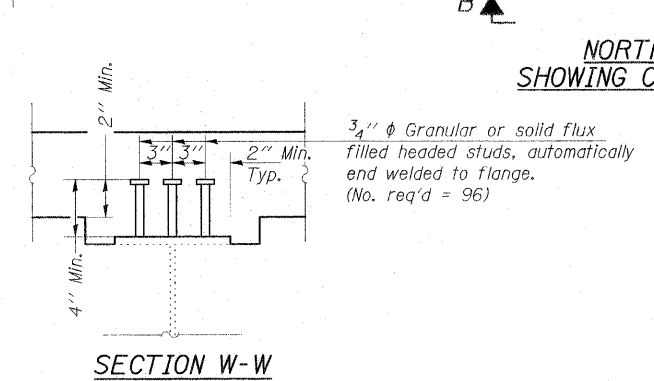


SECTION C-C

Dimensions measured @ Right Angles



**SOUTH ABUT. PLAN
SHOWING NEW CONCRETE**

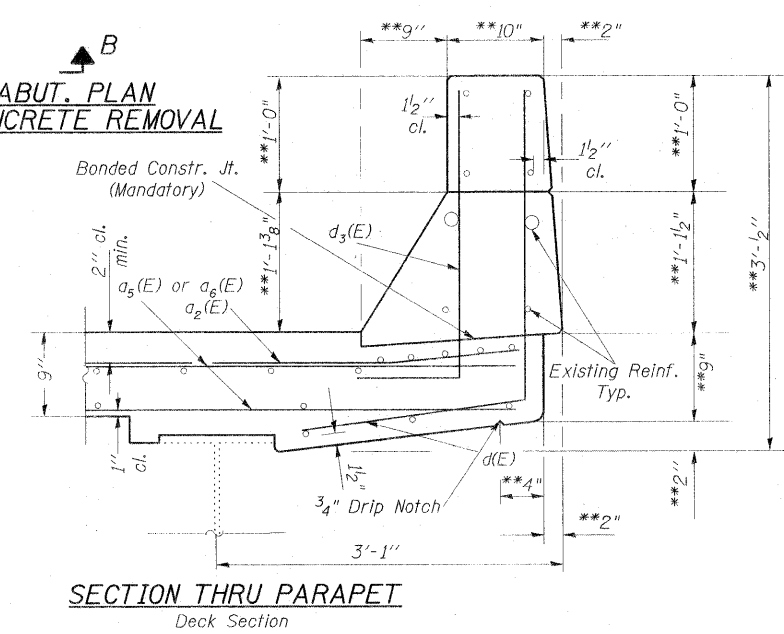


SECTION W-W

Notes:
* Bend Bars in Field to fit.
** Verify in field (Match Existing)

Dimensions are based on a Rolled Rail Strip Seal Joint. If the Contractor elects to use the Welded Rail Strip Seal Joint, deck dimensions may require adjustments to satisfy the details on Base Sheet EJ-SSJ.

**NORTH ABUT. PLAN
SHOWING CONCRETE REMOVAL**



**SECTION THRU PARAPET
Deck Section**

BILL OF MATERIAL (BOTH ABUTS.)

Bar No.	Size	Length	Shape
a2(E)	12 #6	4'-0"	—
a5(E)	16 #5	29'-0"	—
a6(E)	16 #5	28'-0"	—
d(E)	12 #4	4'-7"	J
d3(E)	12 #5	3'-6"	J
h4(E)	8 #5	28'-6"	—
h5(E)	8 #5	27'-6"	—
Concrete Superstructure	Cu. Yd.	16.2	
Stud Shear Connectors	Each	96	
Concrete Removal	Cu. Yd.	16.2	
Reinforcement Bars, Epoxy Coated	Pound	1570	

**ABUTMENTS.
JOINT REPLACEMENT DETAILS
JEFFERSON COUNTY
SN 041-0013 (S.B.)**