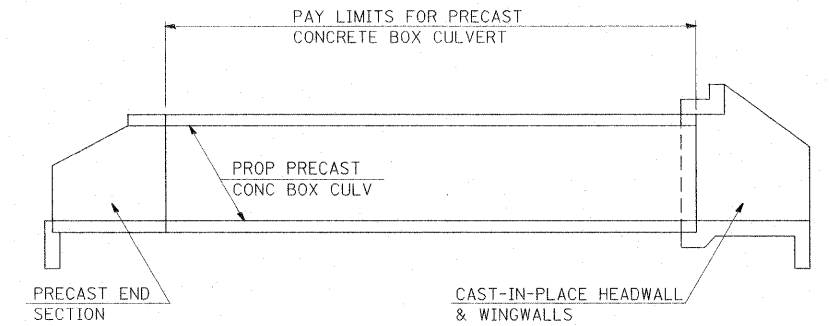
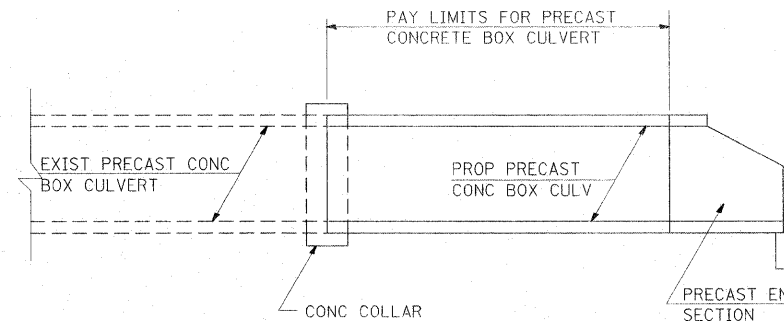
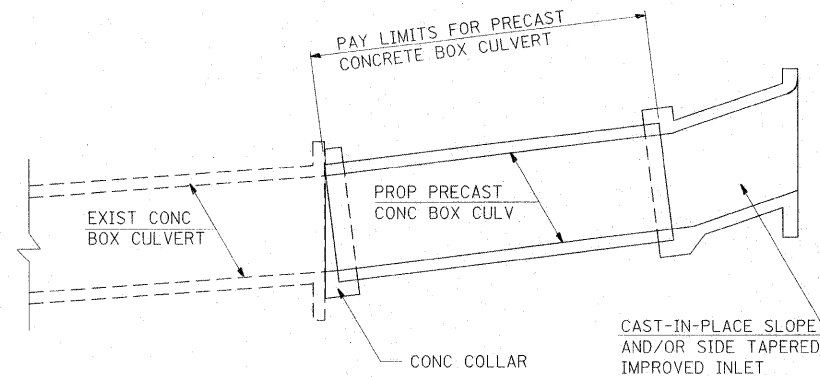
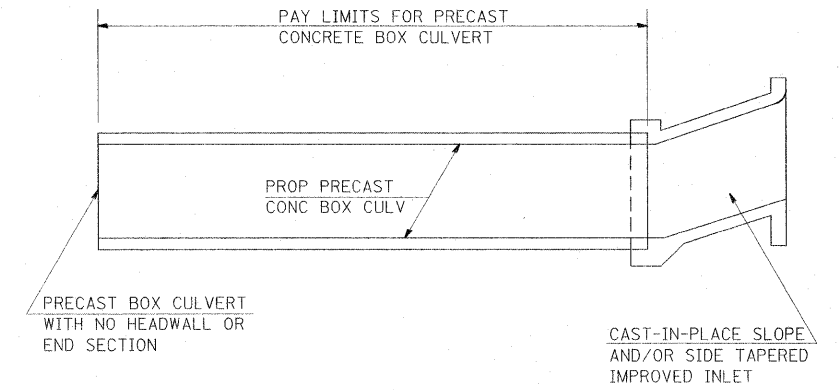
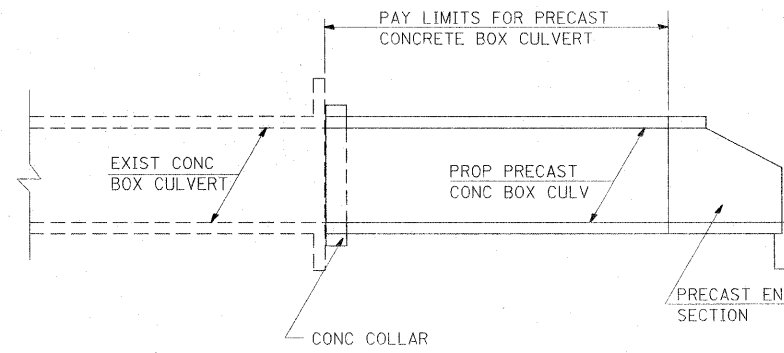
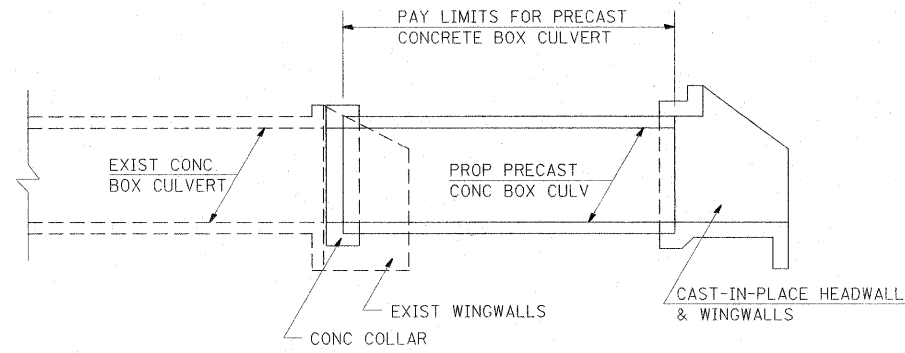


PAYMENT LIMITS FOR PRECAST CONCRETE BOX CULVERTS



CULVERT EXTENSIONS

NEW CULVERTS

NOTES:

WHEN PRECAST CONCRETE BOX CULVERTS ARE SPECIFIED ON THE PLANS, THEY WILL BE MEASURED BY THE FOOT. THE OVERALL LENGTH SHALL BE MEASURED OUT-TO-OUT OF THE PRECAST SEGMENTS ALONG THE CENTERLINE OF THE CULVERT. THE BOX CULVERT END SECTIONS WILL BE MEASURED AS EACH. CAST-IN-PLACE COLLARS WILL NOT BE PAID FOR SEPERATELY, BUT SHALL BE INCLUDED IN THE COST OF THE PRECAST CONCRETE BOX CULVERT. SEE ARTICLE 540.08 OF THE STANDARD SPECIFICATIONS ADOPTED JANUARY 1, 2002.

THE TERM "BOX CULVERT END SECTION" AS USED HEREIN SHALL BE DEFINED AS EITHER PRECAST END SECTIONS OR CAST-IN-PLACE HEADWALLS AND WINGWALLS CONSTRUCTED AS SHOWN IN THE PLANS.

THROUGHOUT THESE PLANS, QUANTITIES SHOWN FOR CLASS SI CONCRETE AND REBARS TO BE USED IN COLLARS, HEADWALLS, WINGWALLS OR IMPROVED INLETS FOR PRECAST CONCRETE BOX CULVERTS ARE PROVIDED FOR INFORMATION AND BIDDING ONLY, AND SHALL NOT BE PAID FOR SEPERATELY.

REVISIONS			
DRAWN	8-14-90	REVISED	8-16-94
REVISED	7-19-91	RESIZED	5-6-08
REVISED	3-11-92		
REVISED	12-9-92		

STD. 9-81

FILE NAME =	USER NAME = colemm	DESIGNED -	REVISED -	STATE OF ILLINOIS DEPARTMENT OF TRANSPORTATION	PAYMENT LIMITS FOR PRECAST CONCRETE BOX CULVERTS	F.A.I. RTE.	SECTION	COUNTY	TOTAL SHEETS	SHEET NO.	
57		Jefferson	422			157					
						CONTRACT NO. 78172					
						ILLINOIS FED. AID PROJECT					
57				SCALE:	SHEET NO.	OF	SHEETS	STA.	TO	STA.	