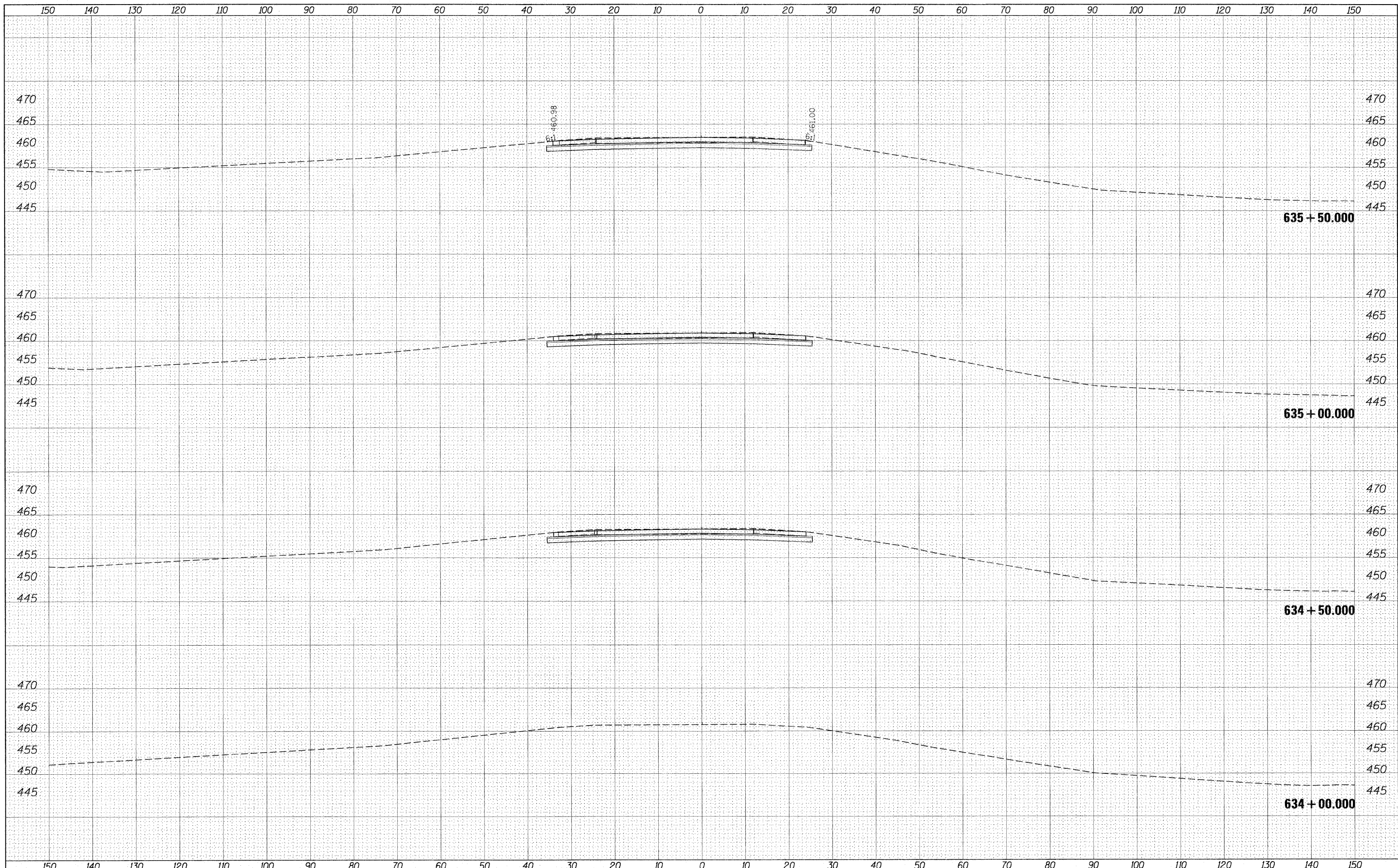


DATE: \_\_\_\_\_ BY: \_\_\_\_\_  
 SURVEYED: \_\_\_\_\_  
 PLOTTED: \_\_\_\_\_  
 FINAL SURVEY: \_\_\_\_\_  
 NOTE BOOK: \_\_\_\_\_  
 NO.: \_\_\_\_\_  
 AREAS CHECKED: \_\_\_\_\_

DATE: \_\_\_\_\_ BY: \_\_\_\_\_  
 SURVEYED: \_\_\_\_\_  
 PLOTTED: \_\_\_\_\_  
 ORIGINAL SURVEY: \_\_\_\_\_  
 NOTE BOOK: \_\_\_\_\_  
 NO.: \_\_\_\_\_  
 AREAS CHECKED: \_\_\_\_\_



FILE NAME = \_\_\_\_\_  
 \*FILE#\* \_\_\_\_\_

|                      |            |           |
|----------------------|------------|-----------|
| USER NAME = #USER*   | DESIGNED - | REVISED - |
|                      | DRAWN -    | REVISED - |
| PLOT SCALE = #SCALE* | CHECKED -  | REVISED - |
| PLOT DATE = #DATE*   | DATE -     | REVISED - |

**STATE OF ILLINOIS  
 DEPARTMENT OF TRANSPORTATION**

**CROSS SECTION SHEETS  
 I-57/64 NB RAMP**

SCALE: \_\_\_\_\_ SHEET NO. \_\_\_\_\_ OF \_\_\_\_\_ SHEETS STA. 634+00.000 TO STA. 635+50.000

|                    |              |                     |                           |                  |
|--------------------|--------------|---------------------|---------------------------|------------------|
| F.A.I. RTE.<br>57  | SECTION<br>• | COUNTY<br>Jefferson | TOTAL SHEETS<br>422       | SHEET NO.<br>281 |
| CONTRACT NO. 78172 |              |                     | ILLINOIS FED. AID PROJECT |                  |