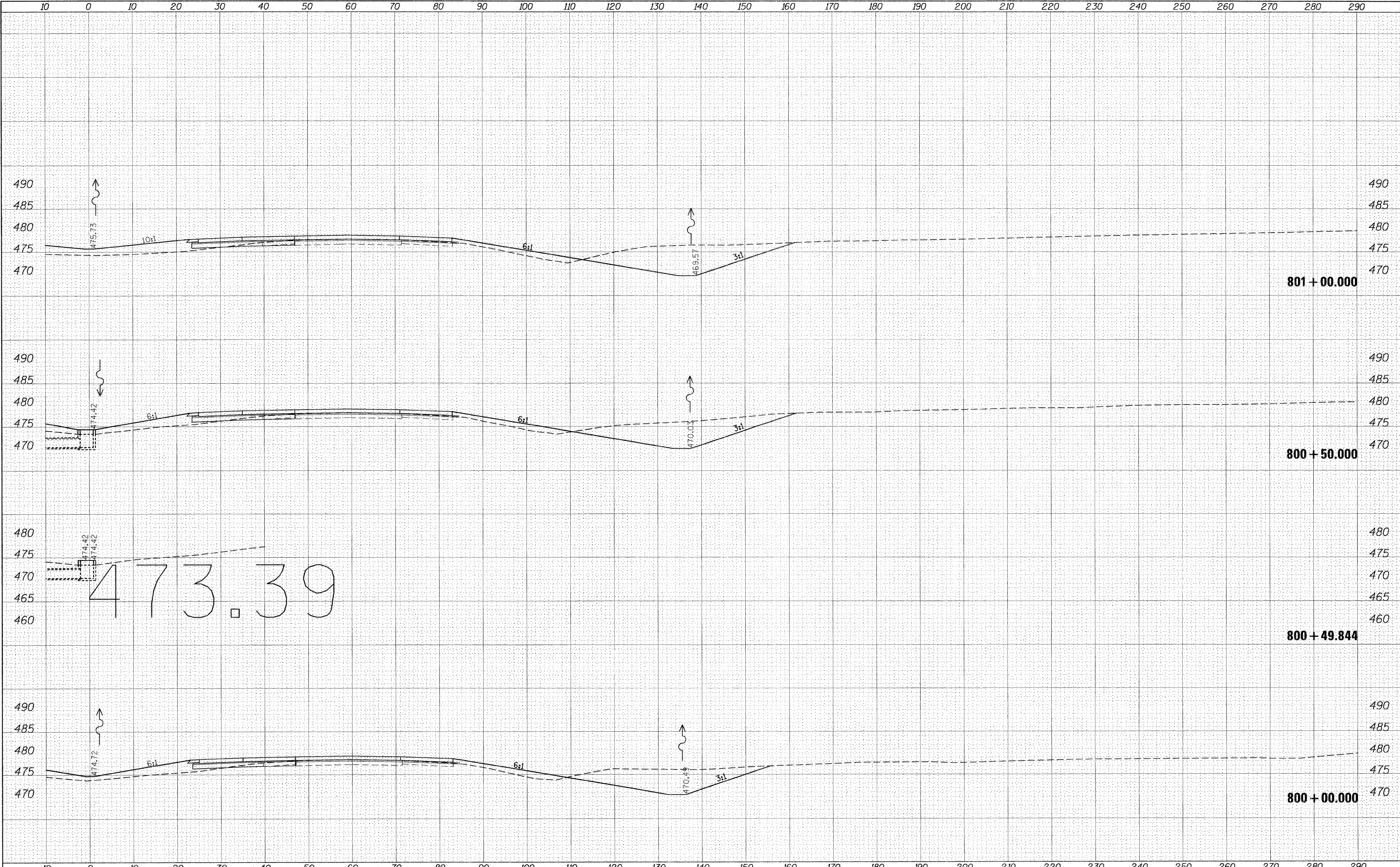


FINAL SURVEY BY DATE
 SURVEYED BY DATE
 PLOTTED BY DATE
 NOTE BOOK NO.
 TEMPLATE AREAS CHECKED

ORIGINAL SURVEY BY DATE
 SURVEYED BY DATE
 PLOTTED BY DATE
 NOTE BOOK NO.
 TEMPLATE AREAS CHECKED



FILE NAME =	USER NAME = #USER#	DESIGNED -	REVISED -	STATE OF ILLINOIS DEPARTMENT OF TRANSPORTATION	CROSS SECTION SHEETS I-57/64 NB LANES				F.A.I. RTE. 57	SECTION .	COUNTY Jefferson	TOTAL SHEETS 422	SHEET NO. 381
#FILEL#		DRAWN -	REVISED -		SCALE:	SHEET NO.	OF	SHEETS	STA. 800+00.000 TO STA. 801+00.000	CONTRACT NO. 78172			
		CHECKED -	REVISED -		ILLINOIS FED. AID PROJECT								
		DATE - #DATE#	REVISED -		41-2-1,41-3,41-3-1R-1								