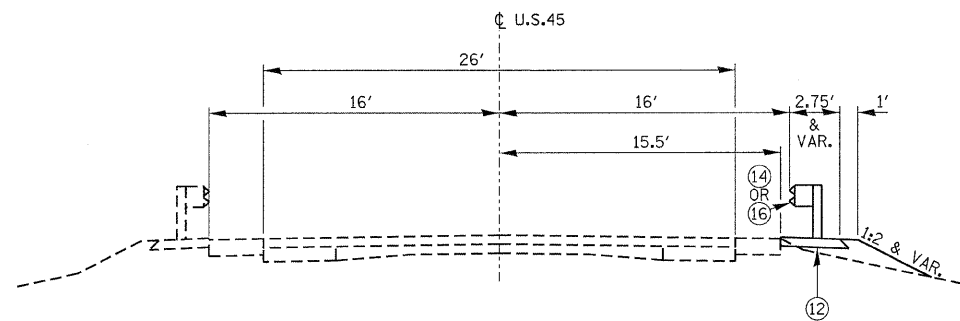


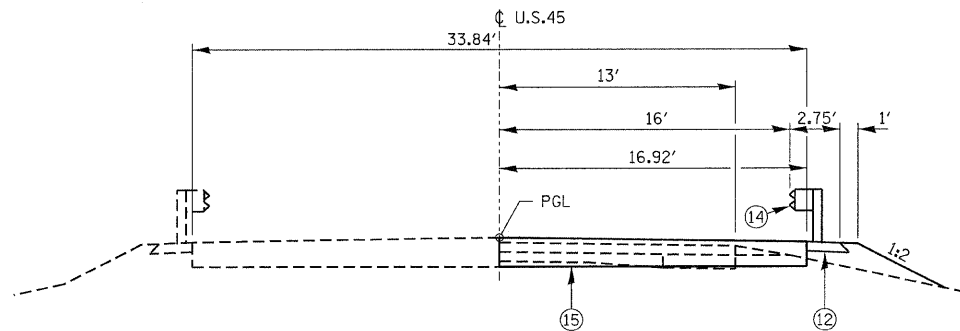
STAGE 2 NO WIDENING TYPICAL CROSS SECTION

STA. 804+82.85 TO STA. 806+35.00
STA. 809+27.50 TO STA. 811+94.65



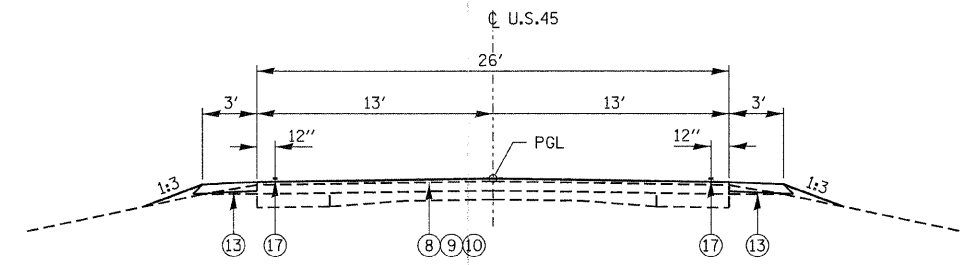
STAGE 2 W/WIDENING TYPICAL CROSS SECTION

STA. 806+35.00 TO STA. 807+44.00
STA. 809+11.60 TO STA. 810+40.00



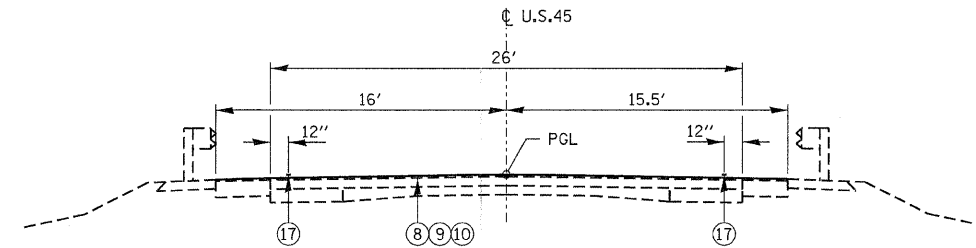
STAGE 2 APPROACH SLAB & PCC CONNECTOR TYPICAL CROSS SECTION

STA. 807+44 TO STA. 807+50 PCC CONNECTOR
STA. 807+50 TO STA. 807+80 APPROACH PAVEMENT
STA. 808+97.50 TO STA. 809+27.50 APPROACH PAVEMENT
STA. 809+27.50 TO STA. 809+33.50 PCC CONNECTOR



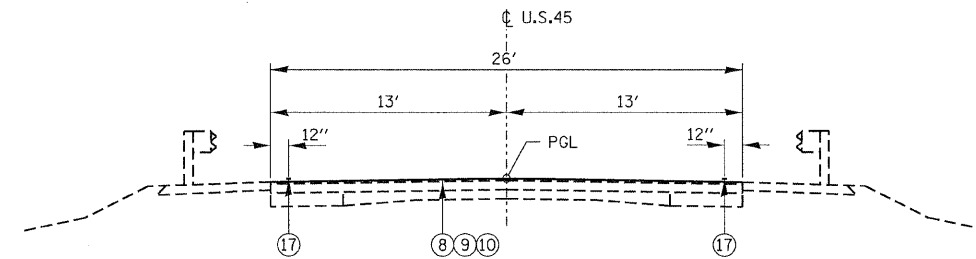
FINAL STAGE NO WIDENING TYPICAL CROSS SECTION

STA. 804+55.00 TO STA. 804+82.85
STA. 811+94.65 TO STA. 812+70.00



FINAL STAGE W/WIDENING TYPICAL CROSS SECTION

STA. 806+35.00 TO STA. 807+44.00
STA. 809+33.50 TO STA. 810+40.00



FINAL STAGE NO WIDENING TYPICAL CROSS SECTION

STA. 804+82.85 TO STA. 806+35.00
STA. 810+40.00 TO STA. 811+94.65

LEGEND

- ① EXISTING HMA OVERLAY
- ② EXIST CONCRETE PAVEMENT
- ③ EXISTING BASE COURSE WIDENING
- ④ EXISTING AGGREGATE SHOULDERS
- ⑤ EXISTING PRECAST CONCRETE UNIT WITH WEARING SURFACE
- ⑥ EXISTING BRIDGE APPROACH PAVEMENT.
- ⑦ EXISTING PAVEMENT MARKING
- ⑧ HMA SURFACE COURSE, MIX "C", N90 (1 1/2" MIN)
- ⑨ LEV BIND MM N90 (3/4" MIN)
- ⑩ HMA BINDER COURSE, IL-19.0, N90 (2 1/4" MIN)
- ⑪ HMA BASE COURSE WIDENING 10 3/4"
- ⑫ HMA SHOULDERS, 8"
- ⑬ AGGREGATE SHOULDERS, TYPE A 6"
- ⑭ TRAFFIC BARRIER TERMINAL, TYPE 6
- ⑮ BRIDGE APPROACH PAVEMENT CONNECTOR (PCC)
- ⑯ STEEL PLATE BEAM GUARD RAIL, TYPE A, 6 FOOT POSTS
- ⑰ PROPOSED PAVEMENT MARKING

FILE NAME = 090216-shr-typsections.dgn	USER NAME =	DESIGNED - L.F.S.	REVISED -	STATE OF ILLINOIS DEPARTMENT OF TRANSPORTATION	HLR	TYPICAL SECTIONS U.S. ROUTE 45	F.A.P. = 328	SECTION = 105B-2	COUNTY = WHITE	TOTAL SHEETS = 55	SHEET NO. = 5
PLOT SCALE =	CHECKED - J.W.F.	REVISED -	SCALE =				SHEET NO. OF SHEETS	STA. TO STA.	FED. ROAD DIST. NO. ILLINOIS FED. AID PROJECT		
PLOT DATE = 1/5/2011	DATE - 09/14/10	REVISED -									
							CONTRACT NO. 78188				