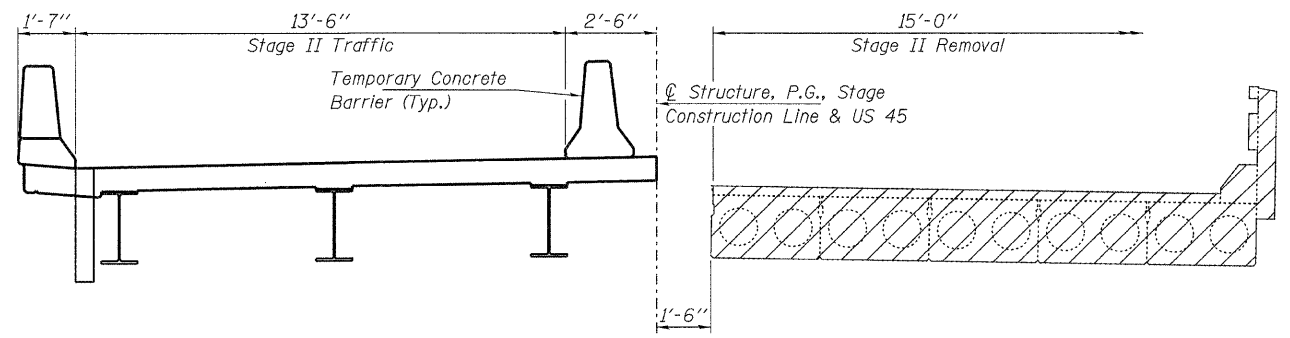
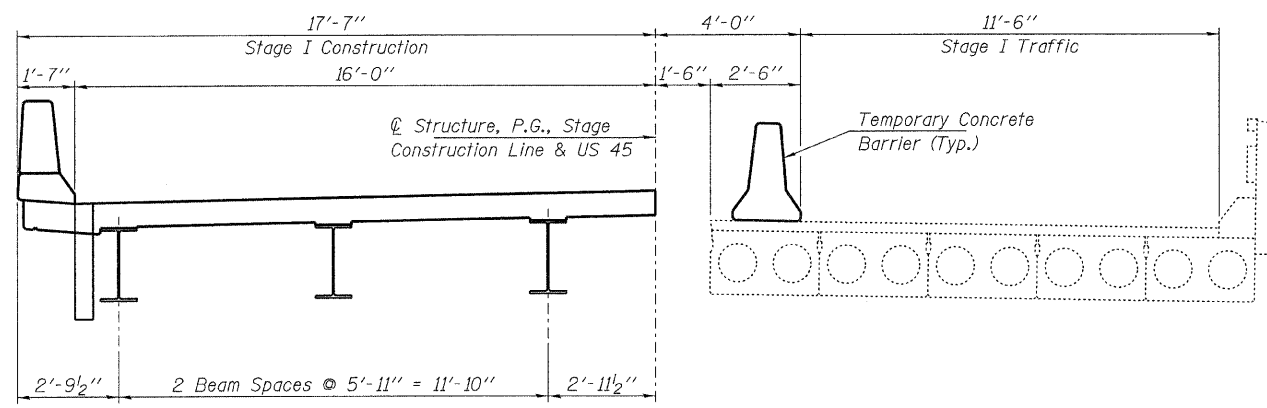


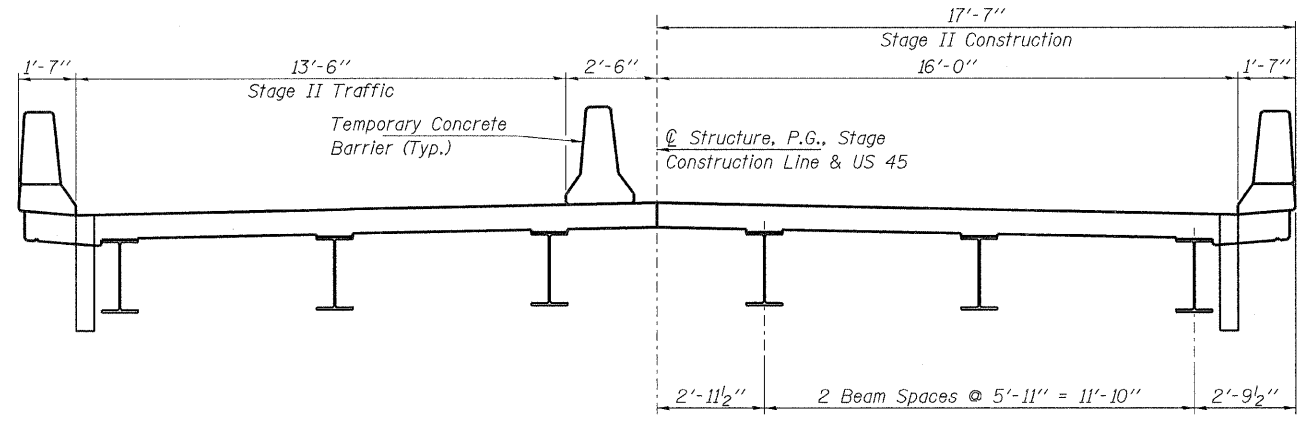
**STAGE I REMOVAL**



**STAGE II REMOVAL**



**STAGE I CONSTRUCTION**



**STAGE II CONSTRUCTION**

Notes:  
 All sections are looking South.  
 Hatched areas indicate removal.  
 Existing Temporary Steel Support Beams are not shown in the cross sections above.  
 See Roadway Plans for quantity of Temporary Concrete Barrier.

FILE NAME = 090116-shv-bridge.dgn	USER NAME =	DESIGNED - S.M.S.	REVISED - 10/14/10	<b>STATE OF ILLINOIS DEPARTMENT OF TRANSPORTATION</b>	<b>STAGE CONSTRUCTION DETAILS STRUCTURE NO. 097-0075</b>	FAP	SECTION	COUNTY	TOTAL SHEETS	SHEET NO.	
HAMPTON, LENZINI AND RENWICK, INC. 3045 STEVENSON DRIVE, SUITE 201 SPRINGFIELD, ILLINOIS 62769		CHECKED - A.S.L.	REVISED - 12/10/10			328	105B-2	WHITE	55	24	
FLR ILLINOIS PROFESSIONAL DESIGN FIRM L5 / PE / SE CORP 184 000859	PLOT SCALE =	DRAWN - D.A.B.	REVISED -			CONTRACT NO. 78188					
	PLOT DATE = 1/5/2011	CHECKED - M.D.C.	REVISED -			SHEET NO. 3 OF 24 SHEETS					
						ILLINOIS FED. AID PROJECT					