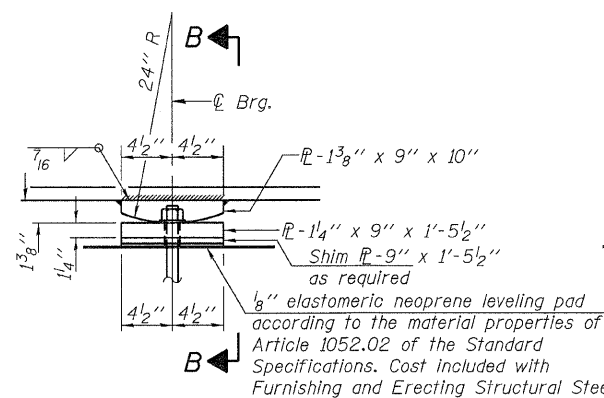


ELEVATION

FIXED BEARING AT ABUTMENT
(12 required)

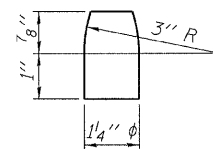
SECTION A-A



ELEVATION AT PIER

FIXED BEARING AT PIER
(12 required)

SECTION B-B



PINTLE

Notes:

Two 1/8 in. adjusting shims shall be provided for each bearing in addition to all other plates or shims and placed as shown on bearing details.

Anchor bolts shall be ASTM F1554 all-thread (or an Engineer-approved alternate material) of the grade(s) and diameter(s) specified. ASTM A307 Grade C anchor bolts may be used in lieu of ASTM F1554 Grade 36 (Fy=36ksi). The corresponding specified grade of AASHTO M314 anchor bolts may be used in lieu of ASTM F1554.

Anchor bolts at fixed bearings may be either cast in place or installed in holes drilled after the supported member is in place.

The anchor bolt sizes and grades shown constitute a calculated seismic structural fuse. Substitution of higher diameter and/or grade bolts will not be allowed.

All structural steel for the fixed bearings including plate material and pintles shall be AASHTO M270 Grade 50 except shim plates.

BILL OF MATERIAL

Item	Unit	Total
Anchor Bolts, 5/8"	Each	24
Anchor Bolts, 1"	Each	24

FILE NAME = 092116-sht-bridge.dgn	USER NAME =	DESIGNED - S.M.S.	REVISED - 10/14/10	STATE OF ILLINOIS DEPARTMENT OF TRANSPORTATION	BEARING DETAILS STRUCTURE NO. 097-0075	FAP	SECTION	COUNTY	TOTAL SHEETS	SHEET NO.	
HAMPTON, LENZINI AND RENWICK, INC. 3333 STEVENSON DRIVE, SUITE 201 SPRINGFIELD, ILLINOIS 62763	PLOT SCALE =	CHECKED - A.S.L.	REVISED - 12/10/10			328	105B-2	WHITE	55	38	
HLR ILLINOIS PROFESSIONAL DESIGN FIRM LS / PE / SE CORP. 184.000959	PLOT DATE = 1/5/2011	DRAWN - D.A.B.	REVISED -			CONTRACT NO. 78188					
		CHECKED - M.D.C.	REVISED -			ILLINOIS FED. AID PROJECT					