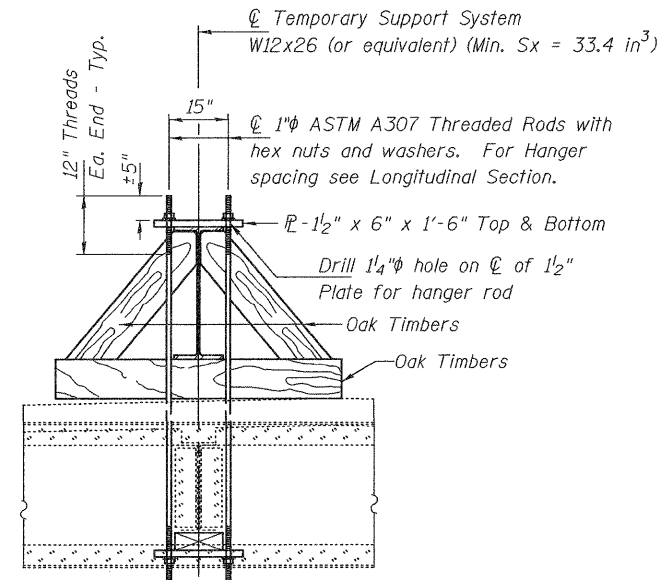
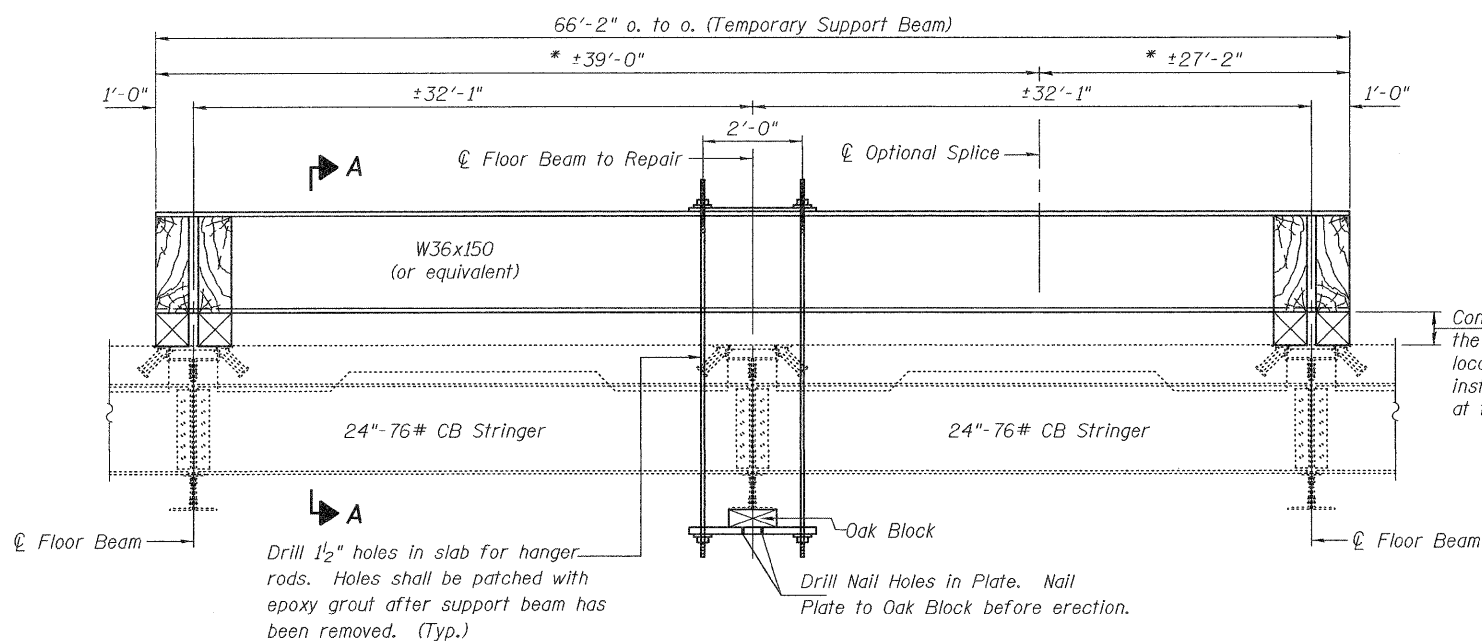


SECTION A-A

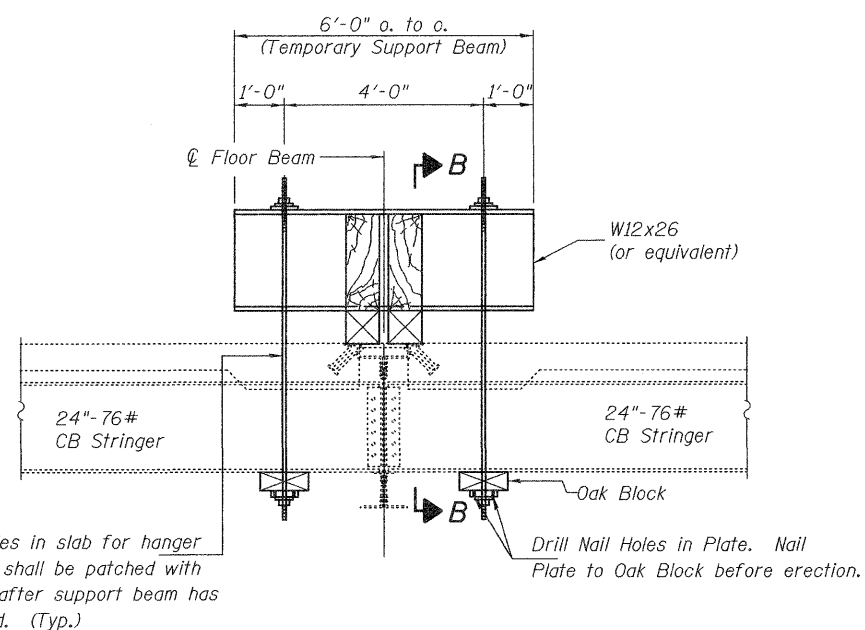


SECTION B-B

* These dimensions may vary for available beams in stock.



**REPAIR A
LONGITUDINAL SECTION
SUGGESTED TEMPORARY SUPPORT SYSTEM
(31 Locations)**



**REPAIR B & H
LONGITUDINAL SECTION
SUGGESTED TEMPORARY SUPPORT SYSTEM
(10 Locations)**

DESIGNED - G.G.E.
CHECKED - V.H.V.
DRAWN - Drew Christopher
CHECKED - G.G.E. V.H.V.

EXAMINED
PASSED
DATE - MARCH 14, 2011
ACTING ENGINEER OF STRUCTURAL SERVICES
ACTING ENGINEER OF BRIDGES AND STRUCTURES

STATE OF ILLINOIS
DEPARTMENT OF TRANSPORTATION

TEMPORARY SUPPORT DETAILS
SN 002-0005

SHEET NO. 9 OF 14 SHEETS

F.A.S. RTE.	SECTION	COUNTY	TOTAL SHEETS	SHEET NO.
944	(138D-BR)I-6	Alexander	22	17
CONTRACT NO. 78250			ILLINOIS FED. AID PROJECT	