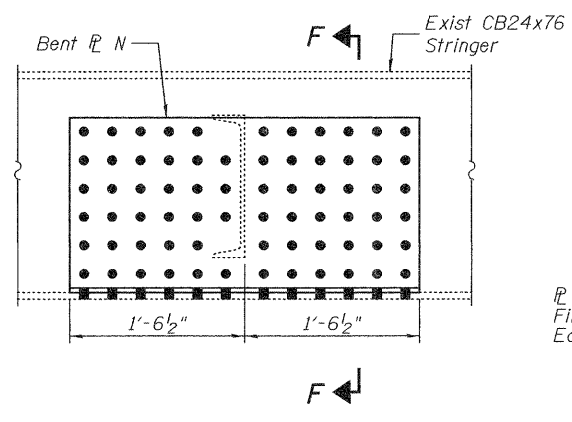
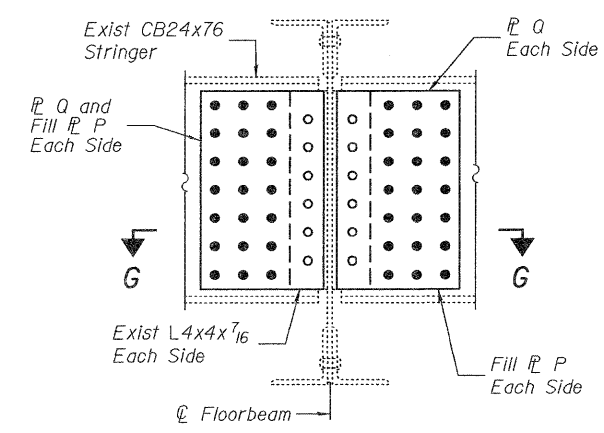


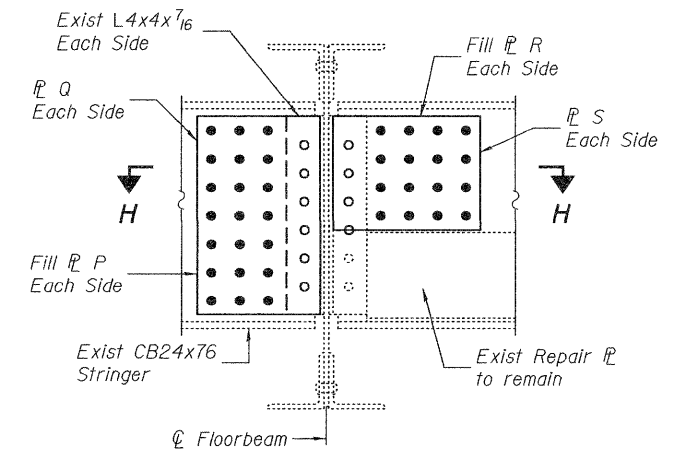
REPAIR C AT FLOOR BEAM 91
(Looking South)



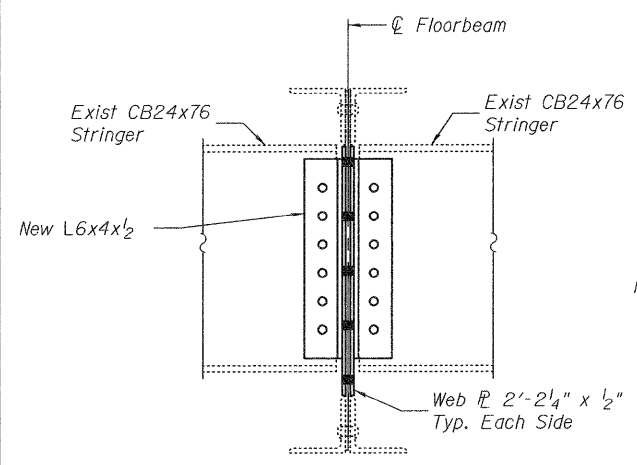
REPAIR H AT PANEL 16, STRINGER A AND PANEL 57 STRINGER A
(Looking East)



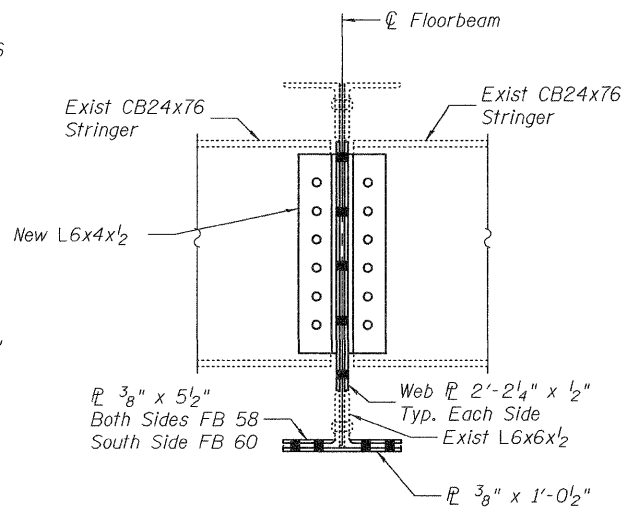
REPAIR H AT FLOOR BEAM 34, STRINGER C AND FLOOR BEAM 78, STRINGER D
(Looking East)
Temporary support of stringer end is required.



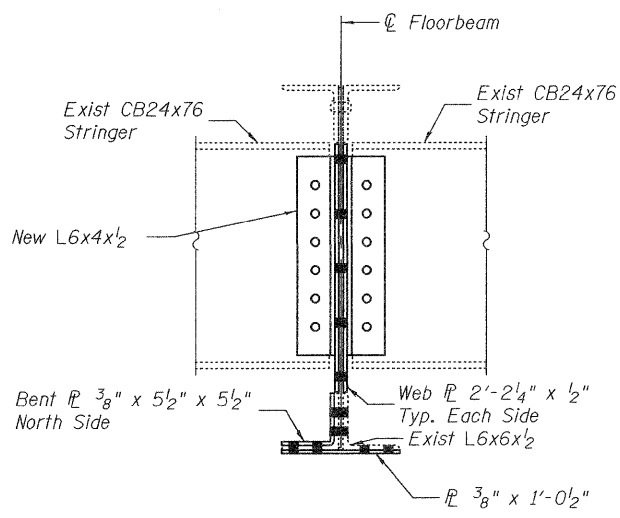
REPAIR H AT FLOOR BEAM 81, STRINGER D
(Looking East)
Temporary support of stringer end is required.



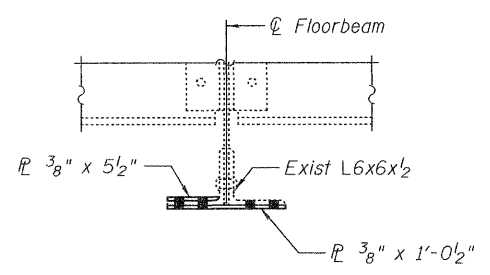
SECTION A-A
Temporary support of stringer end is required.



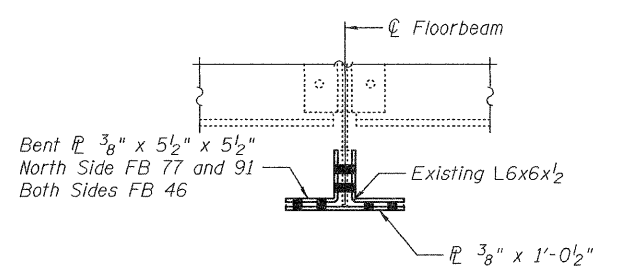
SECTION B-B
Temporary support of stringer end is required.



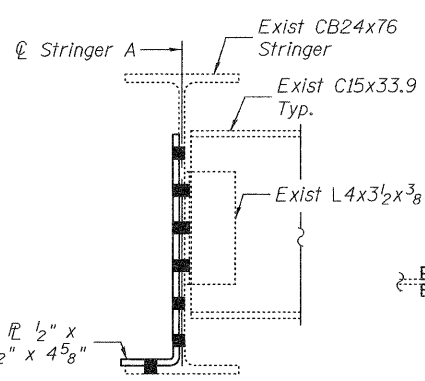
SECTION C-C
Temporary support of stringer end is required.



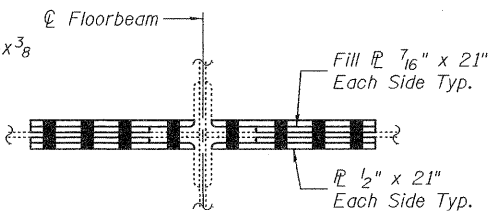
SECTION D-D



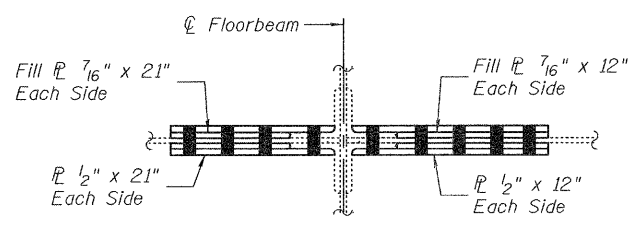
SECTION E-E



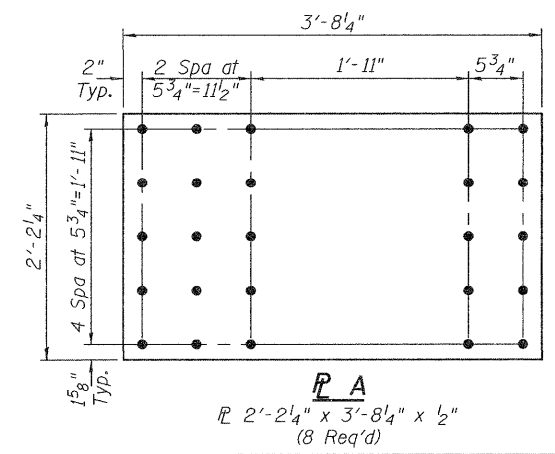
SECTION F-F



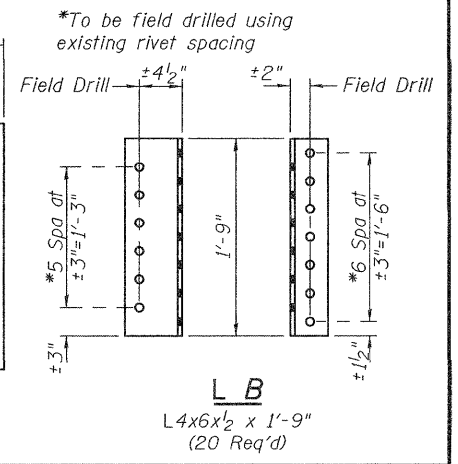
SECTION G-G



SECTION H-H



P A
L4x6x1/2 x 1'-9"
(8 Req'd)



L B
L4x6x1/2 x 1'-9"
(20 Req'd)

DESIGNED - G.G.E.	EXAMINED - <i>Joanne F. [Signature]</i>	DATE - MARCH 14, 2011	STATE OF ILLINOIS DEPARTMENT OF TRANSPORTATION	REPAIR H DETAILS AND REPAIR SECTIONS		F.A.S. RTE. 944	SECTION (138D-BR)I-6	COUNTY Alexander	TOTAL SHEETS 22	SHEET NO. 20
CHECKED - V.H.V.	ACTING ENGINEER OF STRUCTURAL SERVICES			SN 002-0005						
DRAWN - Drew Christopher	ACTING ENGINEER OF BRIDGES AND STRUCTURES			SHEET NO. 12 OF 14 SHEETS						
CHECKED - G.G.E. V.H.V.										ILLINOIS FED. AID PROJECT