

DIAPHRAGM ELEVATION AT ABUTMENT

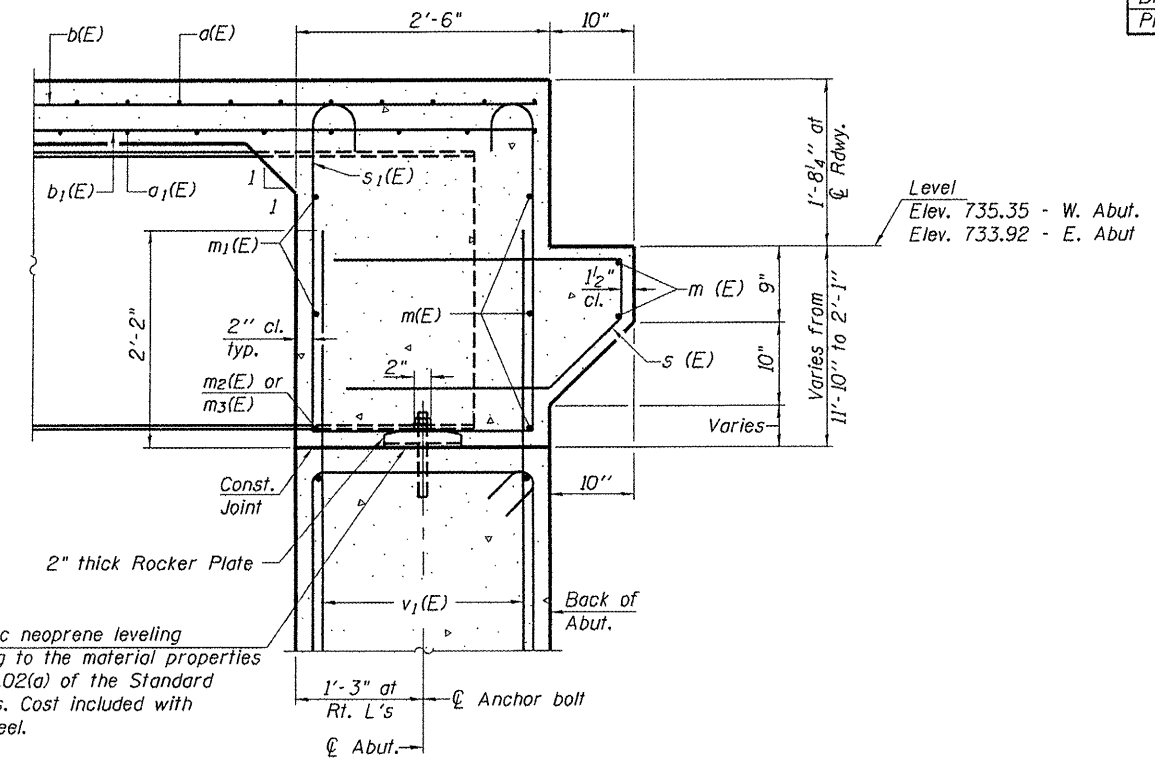
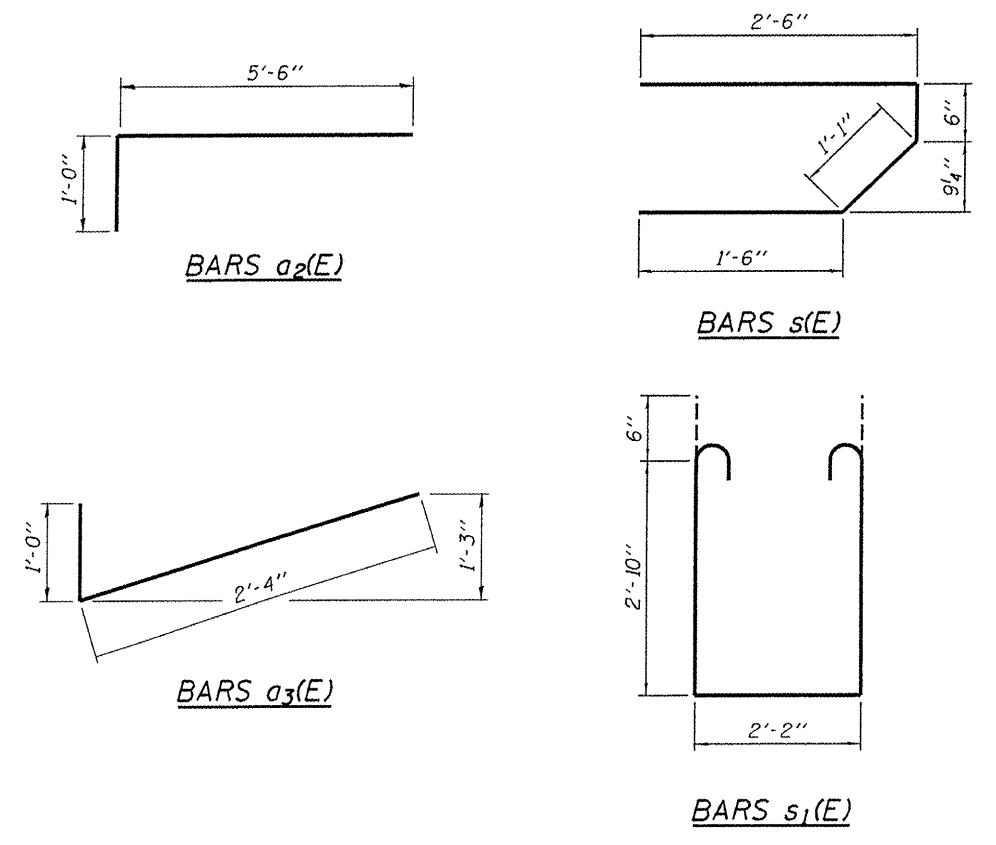
Notes:
 Reinforcement bars in diaphragm are billed with superstructure on this sheet.
 Concrete in diaphragm is included with Concrete Superstructure on this sheet.
 The s(E) and s1(E) bars shall be placed parallel to the beams. Spacing for these bars shall be at right angles to the beams.

BILL OF MATERIAL

Bar	No.	Size	Length	Shape
a(E)	133	#5	35'-8"	—
a1(E)	87	#5	35'-8"	—
a2(E)	264	#6	6'-6"	—
a3(E)	134	#5	3'-4"	✓
b(E)	74	#5	37'-2"	—
b1(E)	99	#5	38'-6"	—
m(E)	10	#6	35'-8"	—
m1(E)	24	#6	9'-8"	—
m2(E)	10	#6	6'-0"	—
m3(E)	4	#6	2'-0"	—
s(E)	72	#5	5'-7"	⌋
s1(E)	68	#4	8'-10"	⌋
Reinforcement Bars, Epoxy Coated			Pound	19,880
Concrete Superstructure			Cu. Yd.	92.7
Bridge Deck Grooving			Sq. Yds.	272
Protective Coat			Sq. Yds.	288

MIN. BAR LAP

#6 bar = 3'-4"
 #5 bar = 2'-7"



SECTION A-A
 Dimensions at right angles to abutment, except as shown.

INTEGRAL ABUTMENT DIAPHRAGM DETAILS
STRUCTURE NUMBER 101-3101

02/01/2011
 I:\Users\101005-ACAD\Struct\Sheet\006-diaphragm.dgn
 LAYOUT: JRR 12/20/10
 DRAWN: MCM 1/14/11
 REVIEWED: SMK 1/14/11

PROFESSIONAL DESIGN FIRM LICENSE #184-001084
 © Copyright Hanson Professional Services Inc.

HANSON
 Hanson Professional Services Inc.

JOB NO. 10L0054
 DATE 2/3/11

SHEET NO. 6
 12 SHEETS

F.A.U. RTE. 5077	SECTION 10-00462-00-BR	COUNTY Winnebago	TOTAL SHEETS 21	SHEET NO. 13
CONTRACT NO. 85534				
FED. ROAD DIST. NO. 2 ILLINOIS FED. AID PROJECT				