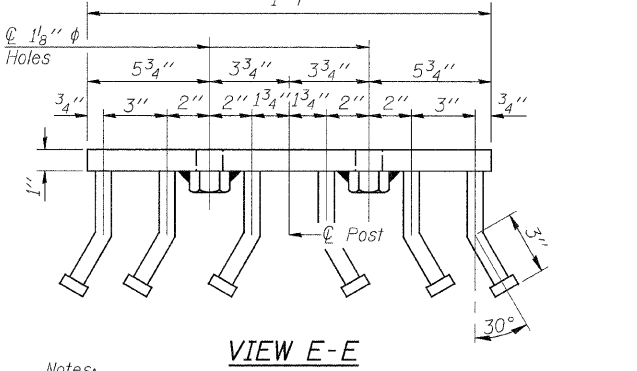
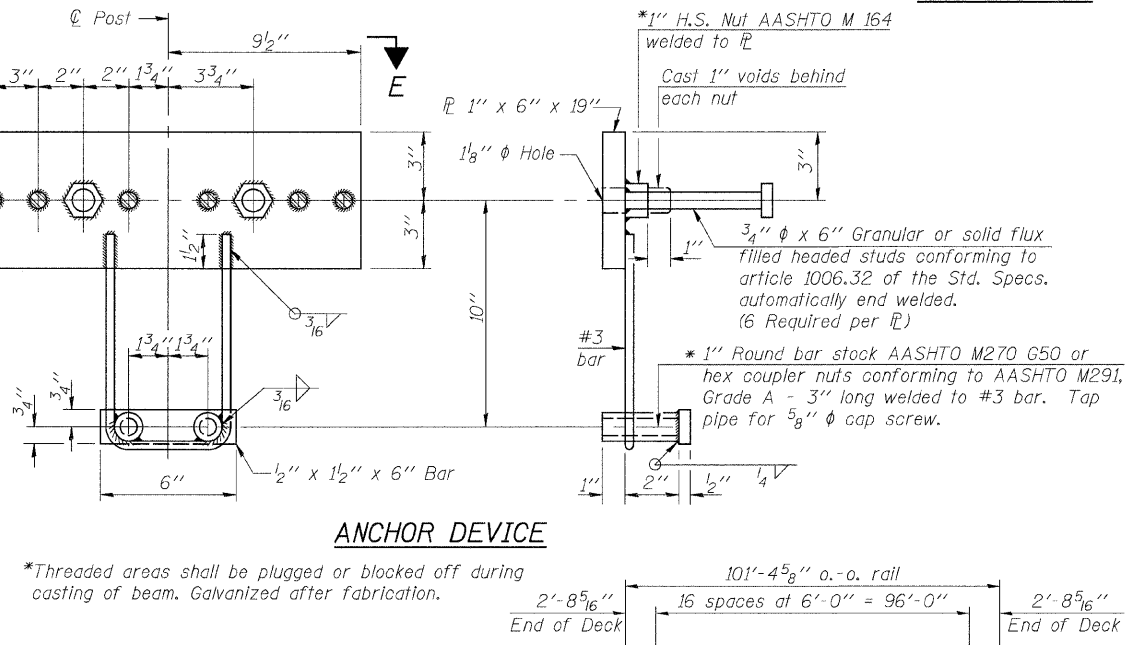
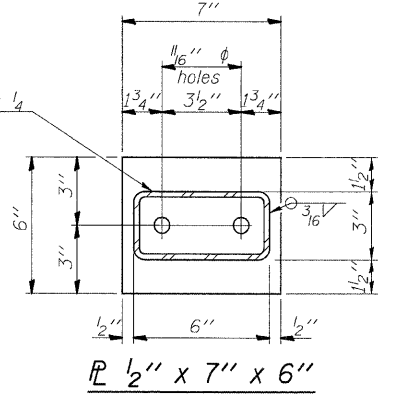
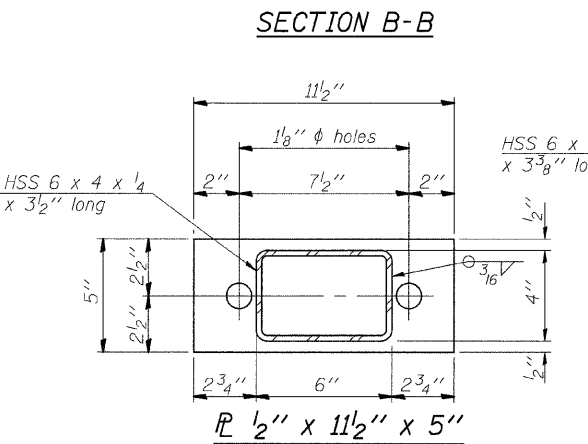
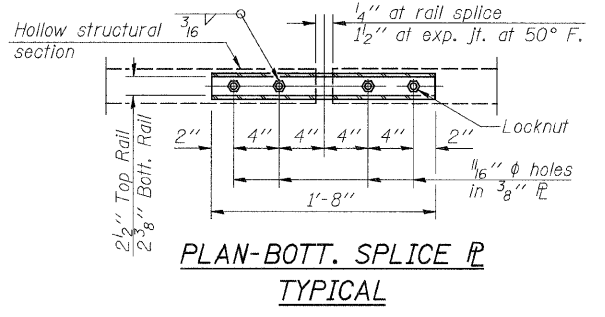
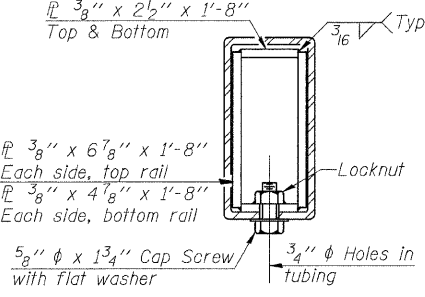
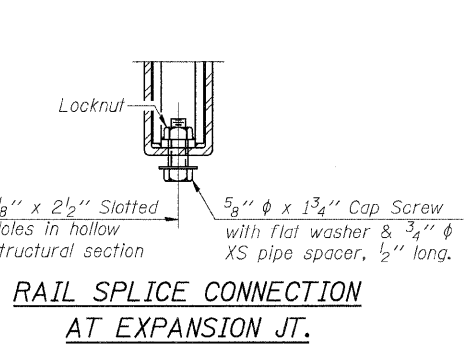
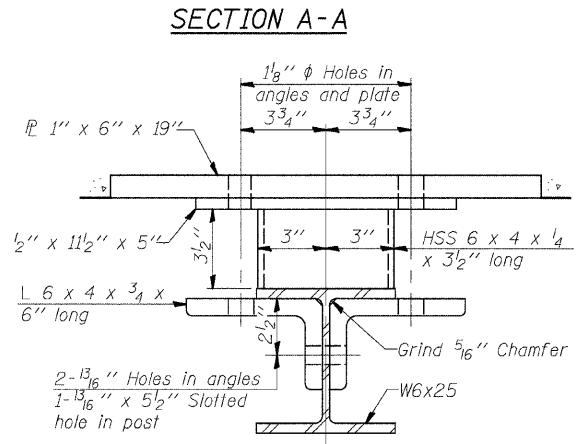
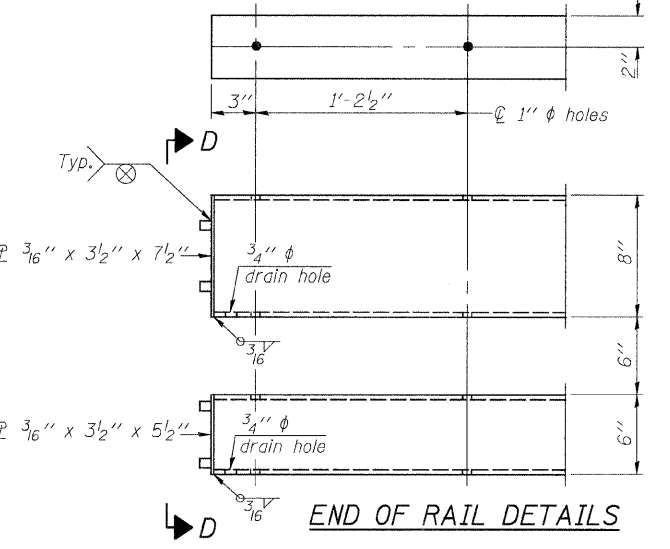
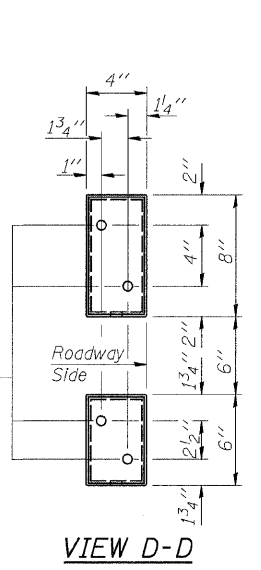
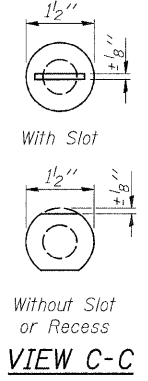
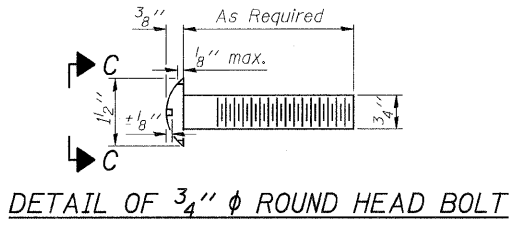
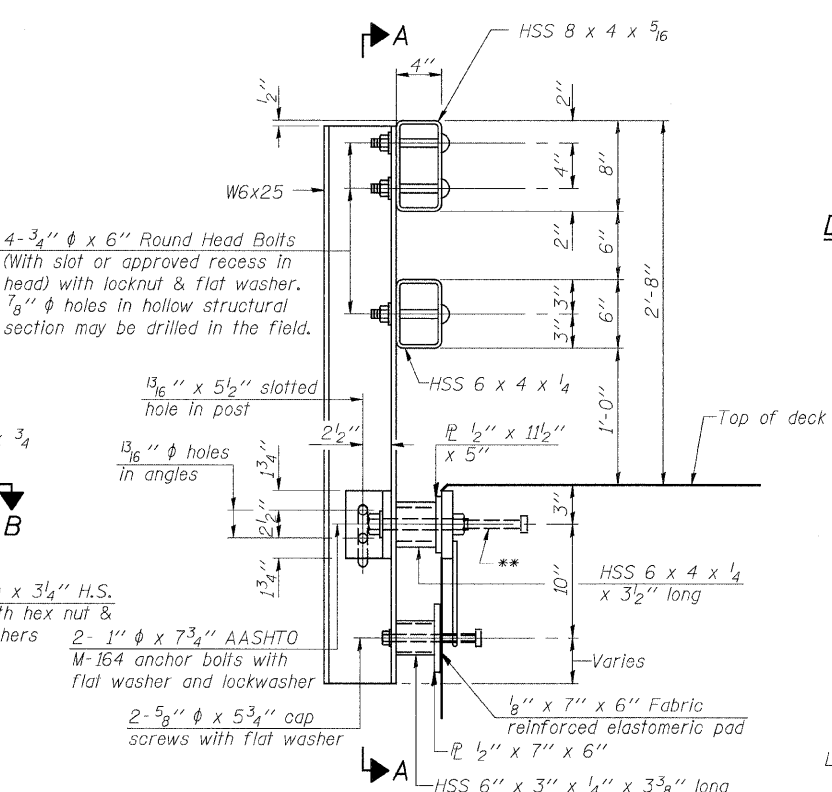
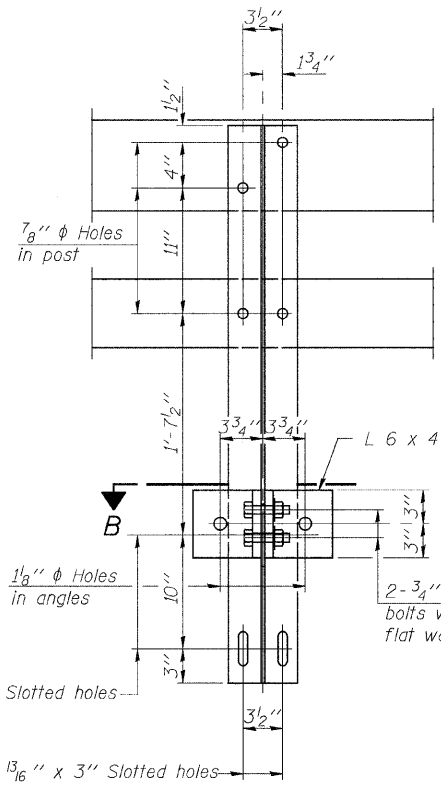


FILE NAME = S:\PROJECTS\2010\1051D10_Bureau_China\DESIGN\STRUCT\Drawings\1051D105SMR11.rvt



Notes:
 All field drilled holes shall be coated with an approved zinc rich paint before erection.
 For multi-span bridges, sufficient 1/4" x 6" x 1'-2" galvanized steel shims shall be provided to align rail between adjacent spans. Cost included with Steel Railing, Type SM.
 Steel rail elements shall be galvanized according to Article 509.05 of the Standard Specifications.
 ** The studs of the anchor devices shall be placed below the top reinforcement bars and the outermost longitudinal reinforcement bar shall be placed directly above the studs of the rail post anchor device.

*Threaded areas shall be plugged or blocked off during casting of beam. Galvanized after fabrication.

RAIL POST SPACING

BILL OF MATERIAL

Item	Unit	Quantity
Steel Railing, Type SM	Foot	203

USER NAME =	DESIGNED - M. C. WAGNER	REVISED -
PLOT SCALE =	CHECKED - B. K. CONVERSE	REVISED -
PLOT DATE =	DRAWN - F. D. LACHAT	REVISED -
	CHECKED - M. A. CACKLEY	REVISED -

BUREAU COUNTY
 F.A.S. 184 (C.H. 11) OVER BIG BUREAU CREEK
 STATION 59+75

STEEL RAILING, TYPE SM DETAILS
 STRUCTURE NO. 006-3032
 STRUCTURAL SHEET NO. 14 OF 17 SHEETS

F.A.S. RTE. 184	SECTION 08-00211-00-BR	COUNTY BUREAU	TOTAL SHEETS 31	SHEET NO. 23
WHA# 1051D10		CONTRACT NO. 87462		
ILLINOIS FED. AID PROJECT BRS-0184(G07)				