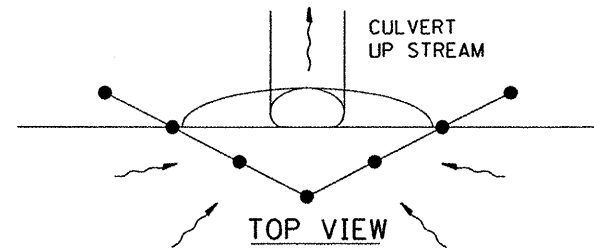
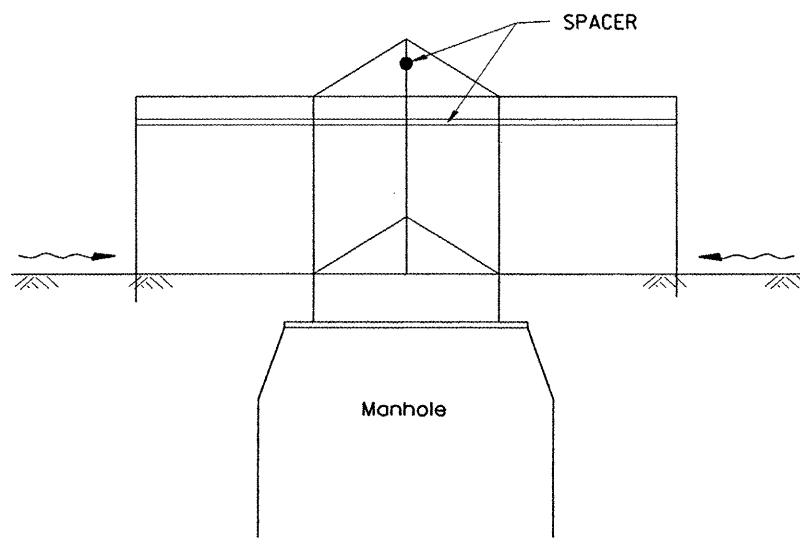


FRONT VIEW

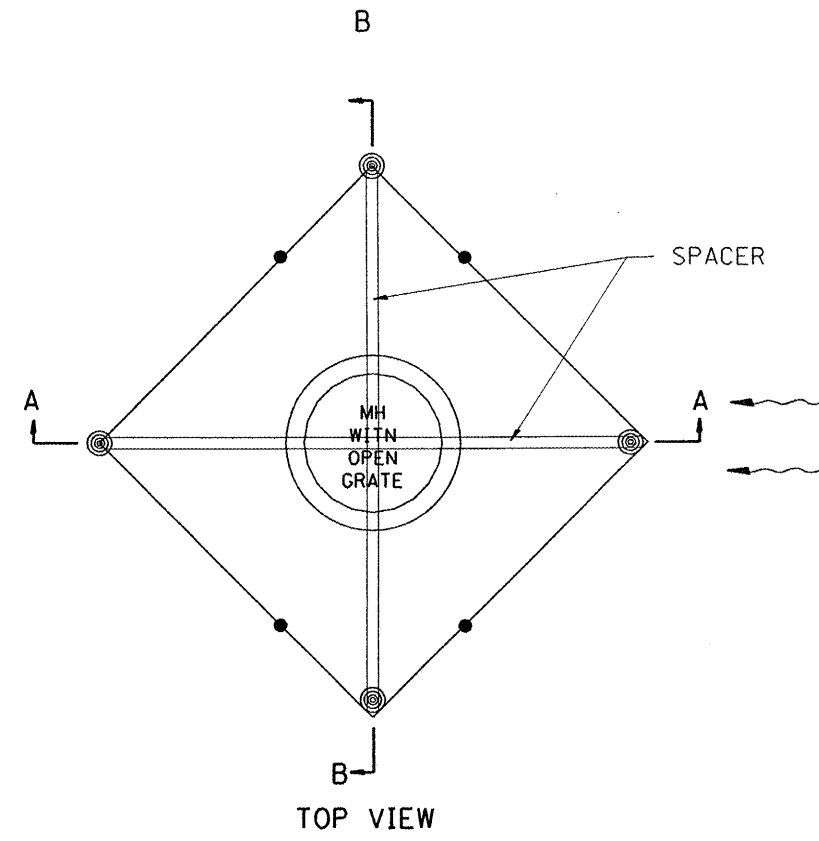


TOP VIEW

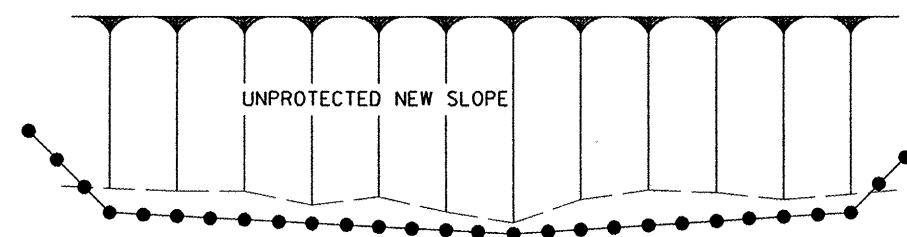
UPSTREAM PIPE CULVERT EROSION CONTROL



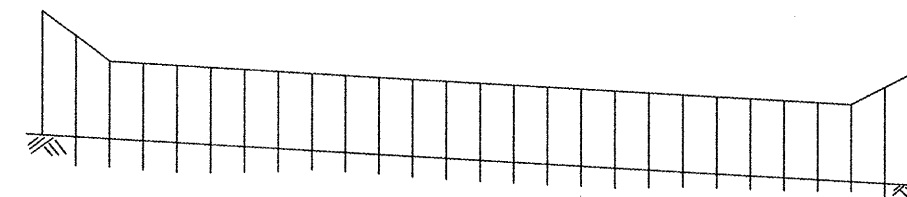
SIDE VIEW  
A-A



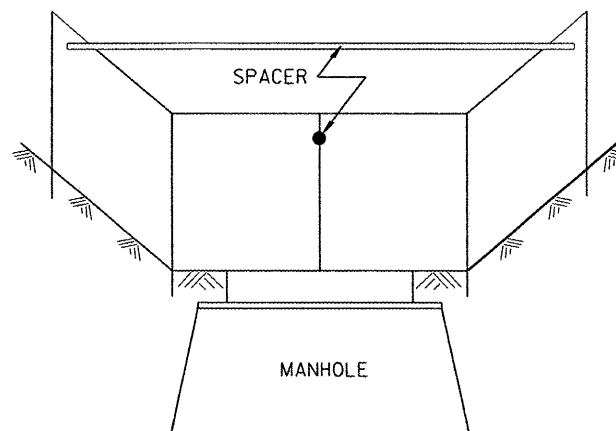
TOP VIEW



TOP VIEW



FRONT VIEW



Front View  
B-B

EROSION CONTROL  
AT  
OPEN GRATE MAN HOLE

GENERAL NOTES:

1. This work shall be performed in accordance with Sections 280 & 1081, of the Standard Specifications.
2. Additional Timber or Metal Post shall be installed, as needed.

All dimensions are in inches (millimeters) unless otherwise noted.

FILE NAME =	USER NAME = rbradle	DESIGNED - BAB/RAW	REVISED -
es:\237\2010\23710006 (Centennial Drive Segment)	es:\237\2010\23710006 (Centennial Drive Segment)	DRAWN - BAB	REVISED -
	PLOT SCALE = 100.0000 / IN.	CHECKED - RMB	REVISED -
	PLOT DATE = 3/3/2011	DATE - 03/02/2011	REVISED -



CENTENNIAL DRIVE PHASE IV				
TYPICAL APPLICATION OF SILT FILTER FENCE				
SCALE:	SHEET NO.	OF SHEETS	STA.	TO STA.

F.A.U. RTE.	SECTION	COUNTY	TOTAL SHEETS	SHEET NO.
6745	07-00130-03-PV	TAZEWELL	39	18
CONTRACT NO. 89481				
ILLINOIS FED. AID PROJECT				