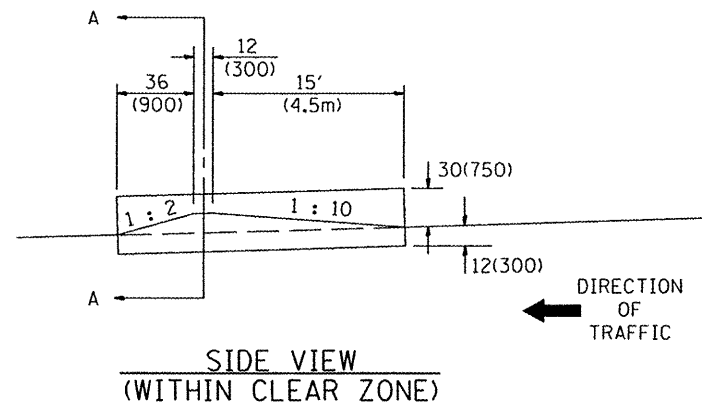
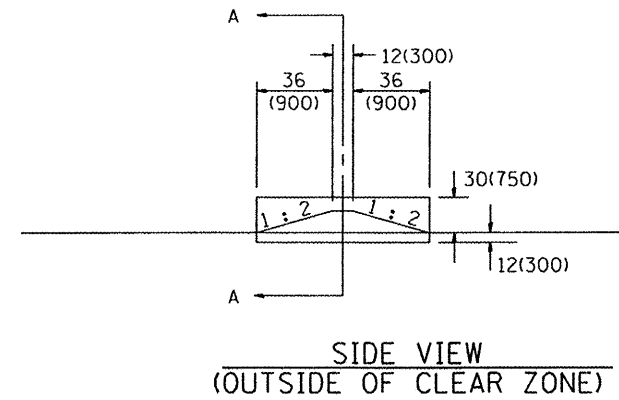


SECTION A - A

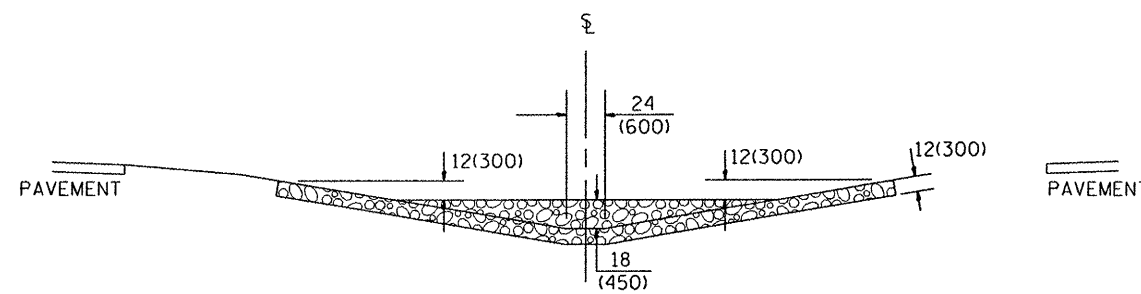


SIDE VIEW  
(WITHIN CLEAR ZONE)

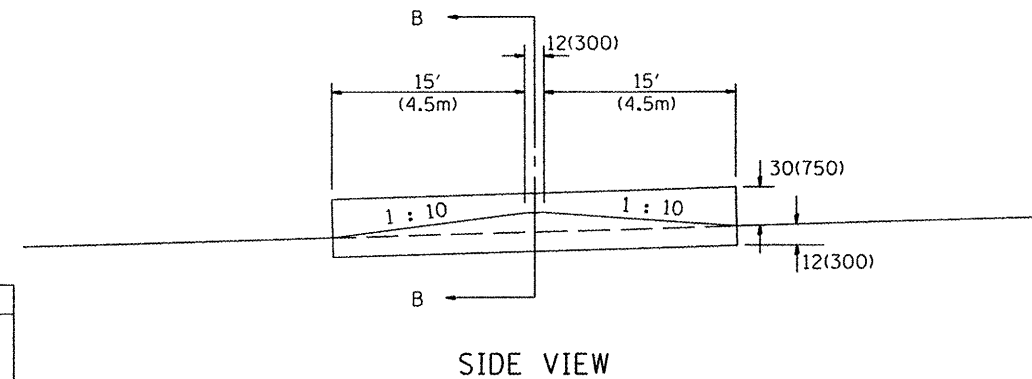


SIDE VIEW  
(OUTSIDE OF CLEAR ZONE)

SIDE DITCH AGGREGATE DITCH CHECK



SECTION B - B



SIDE VIEW  
MEDIAN AGGREGATE DITCH CHECK

NOTES:

- FOR DITCH BOTTOM PROTECTED BY EXCELSIOR BLANKET, USE 400'(120m) SPACING. FOR SEEDED DITCH BOTTOM, USE 200'(60m) SPACING.
- THIS WORK CONSISTS OF THE COMPLETE INSTALLATION OF EROSION CONTROL DITCH CHECK AT LOCATIONS AS SHOWN ON THE PLANS, OR AS DIRECTED BY THE ENGINEER. THE AGGREGATE GRADATION SHALL BE RR3 WITH A MINIMUM QUALITY OF CLASS B.

LOCATION	SIDE DITCH		NUMBER OF DITCH CHECKS	FORE SLOPE	DITCH BOTTOM WIDTH	BACK SLOPE	BERM SLOPE
	MEDIAN	LEFT					

**QUANTITIES**

CALC. BY: \_\_\_\_\_ DATE: \_\_\_\_\_

CHECKED BY: \_\_\_\_\_ DATE: \_\_\_\_\_

QUANTITY CALCULATIONS ARE ON FILE AT THE DISTRICT 4 OFFICE; BUREAU OF PROJECT IMPLEMENTATION; DOCUMENTATION SECTION

FILE NAME =	USER NAME = rmbrodle	DESIGNED - BAB/RAW	REVISED -
si:\237\2010\23710006 (Centennial Drive Segment)\VPH\I\CADD\CADD Sheets\0489481-sht-deta	BY BAWN	- BAB	REVISED -
	PLOT SCALE = 100.0000' / IN.	CHECKED - RMB	REVISED -
	PLOT DATE = 3/3/2011	DATE - 03/02/2011	REVISED -



**ESTIMATE QUANTITIES**

	FORE SLOPE	DITCH BOTTOM	BACK SLOPE	BERM SLOPE	AGGREGATE DITCH CHECK EROSION CONTROL METRIC (TON/TON)
MEDIAN DITCH	1 : 6	24(600)	—	1 : 10	95(86)
SIDE DITCH	1 : 6	24(600)	1 : 4	1 : 10 & 1 : 2	50(45)
SIDE DITCH	1 : 6	24(600)	1 : 4	1 : 2 & 1 : 2	19(17)
SIDE DITCH	1 : 4	24(600)	1 : 3	1 : 10 & 1 : 2	18(16)
SIDE DITCH	1 : 4	24(600)	1 : 3	1 : 2 & 1 : 2	14(13)

All slope ratios are expressed as units of vertical displacement to units of horizontal displacement (V:H).

All dimensions are in inches (millimeters) unless otherwise noted.

CENTENNIAL DRIVE PHASE IV EROSION CONTROL AGGREGATE DITCH CHECK		F.A.U. RTE. 6745	SECTION 07-00130-03-PV	COUNTY TAZEWELL	TOTAL SHEETS 39	SHEET NO. 19
SCALE:	SHEET NO. OF SHEETS	STA.	TO STA.			
ILLINOIS FED. AID PROJECT						CONTRACT NO. 89481