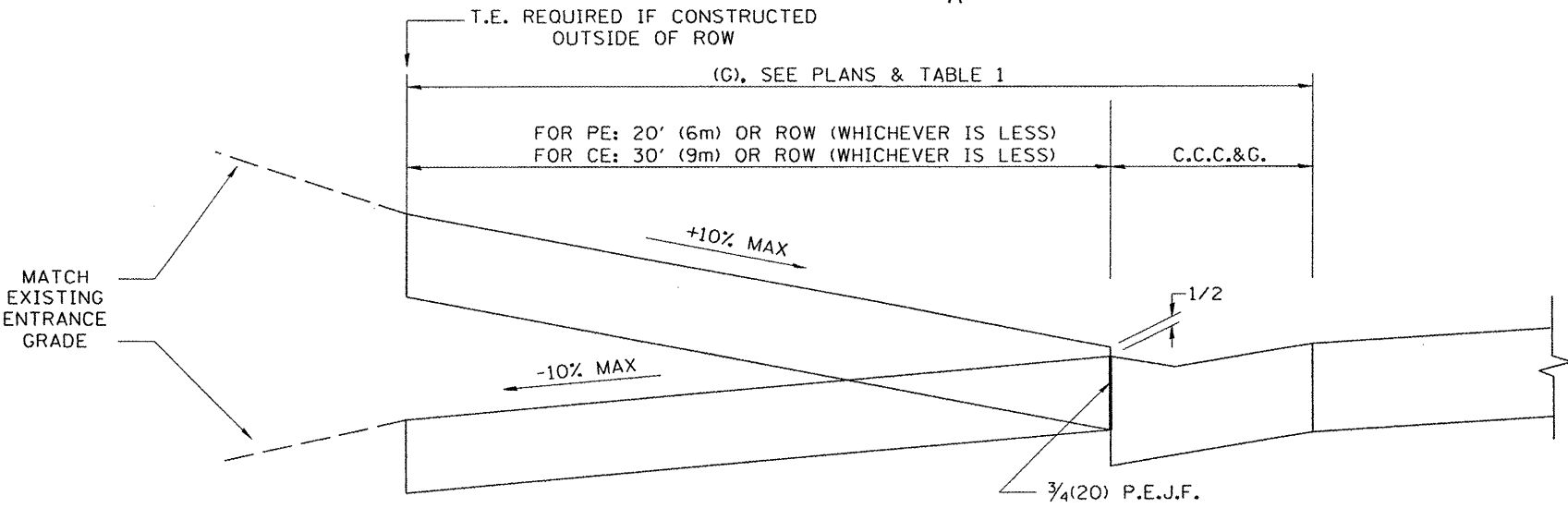


PLAN



SECTION A-A

GENERAL NOTES

1. COMBINATION CONCRETE CURB & GUTTER SHALL BE DEPRESSED IN ACCORDANCE WITH STANDARD 606001.
2. C.C.C. & G. WILL BE MEASURED FOR PAYMENT AS SPECIFIED IN ARTICLE 606.13 OF THE STANDARD SPECIFICATIONS.
3. C.C.C. & G. CONSTRUCTION JOINTS WILL BE AS SHOWN ON STANDARD 606001.
4. EXCEPTIONS TO THE RADIUS FLARE/PROPERTY LINE RELATIONSHIP ARE AS SHOWN IN THE PLANS FOR COMMON ENTRANCES, WITH JOINTLY EXECUTED ACCESS PERMITS.

ELEMENT	NON-COMMERCIAL		COMMERCIAL			
			1-WAY OPERATION		2-WAY OPERATION	
WIDTH (W)	12' (3.6m)MIN.	24' (7.2m)MAX.	14' (4.3m)MIN.	24' (7.2m)MAX.	24' (7.2m)MIN.	35' (10.7m)MAX.
RADIUS EQUIVALENT 1:1 FLARE (F)	5' (1.5m)MIN.	25' (7.6m)MAX.	15' (4.6m)MIN.	40' (12.0m)MAX.	15' (4.6m)MIN.	40' (12.0m)MAX.
MAX. GRADE (G)	10%		6%			

All dimensions are in inches (millimeters) unless otherwise noted.