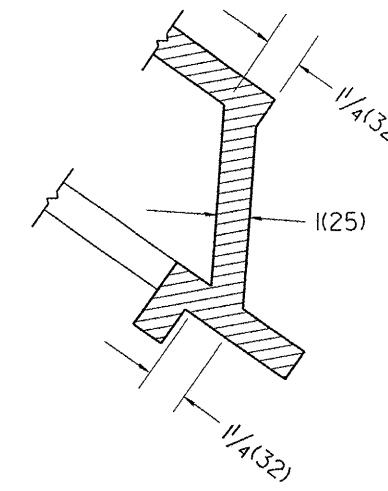
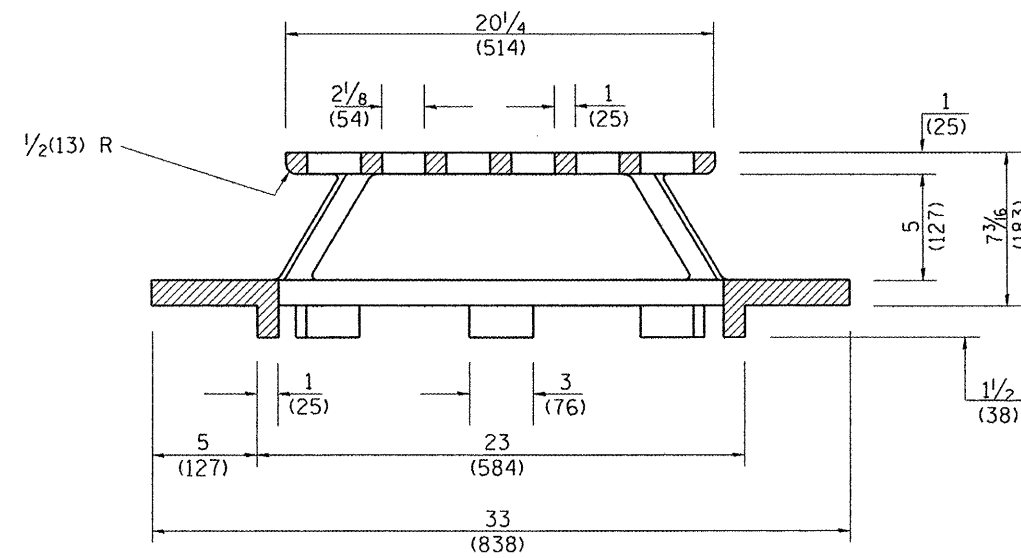


PLAN



SECTION B - B



SECTION A - A

GENERAL NOTES

- MATERIAL - Cast Gray Iron
Weight 209 lbs (95 kg)

All dimensions are in inches (millimeters) unless otherwise noted.

| | | | |
|--|--|--------------------|-----------|
| FILE NAME = | USER NAME = rimbardle | DESIGNED - BAB/RAW | REVISED - |
| st:\237\2010\23710006 (Centennial Drive Segment) | I:\PHI\1\CADD\CADD Sheets\489481-sht-details | DRAWN - BAB | REVISED - |
| | PLOT SCALE = 100.0000' / IN. | CHECKED - RMB | REVISED - |
| | PLOT DATE = 3/3/2011 | DATE - 03/02/2011 | REVISED - |



| | | | |
|---------------------------|-----------|-----------|--------------|
| CENTENNIAL DRIVE PHASE IV | | | |
| TYPE 37 GRATE | | | |
| SCALE: | SHEET NO. | OF SHEETS | STA. TO STA. |

| F.A.U. RTE. | SECTION | COUNTY | TOTAL SHEETS | SHEET NO. |
|---------------------------|----------------|----------|--------------|-----------|
| 6745 | 07-00130-03-PV | TAZEWELL | 39 | 26 |
| CONTRACT NO. 89481 | | | | |
| ILLINOIS FED. AID PROJECT | | | | |