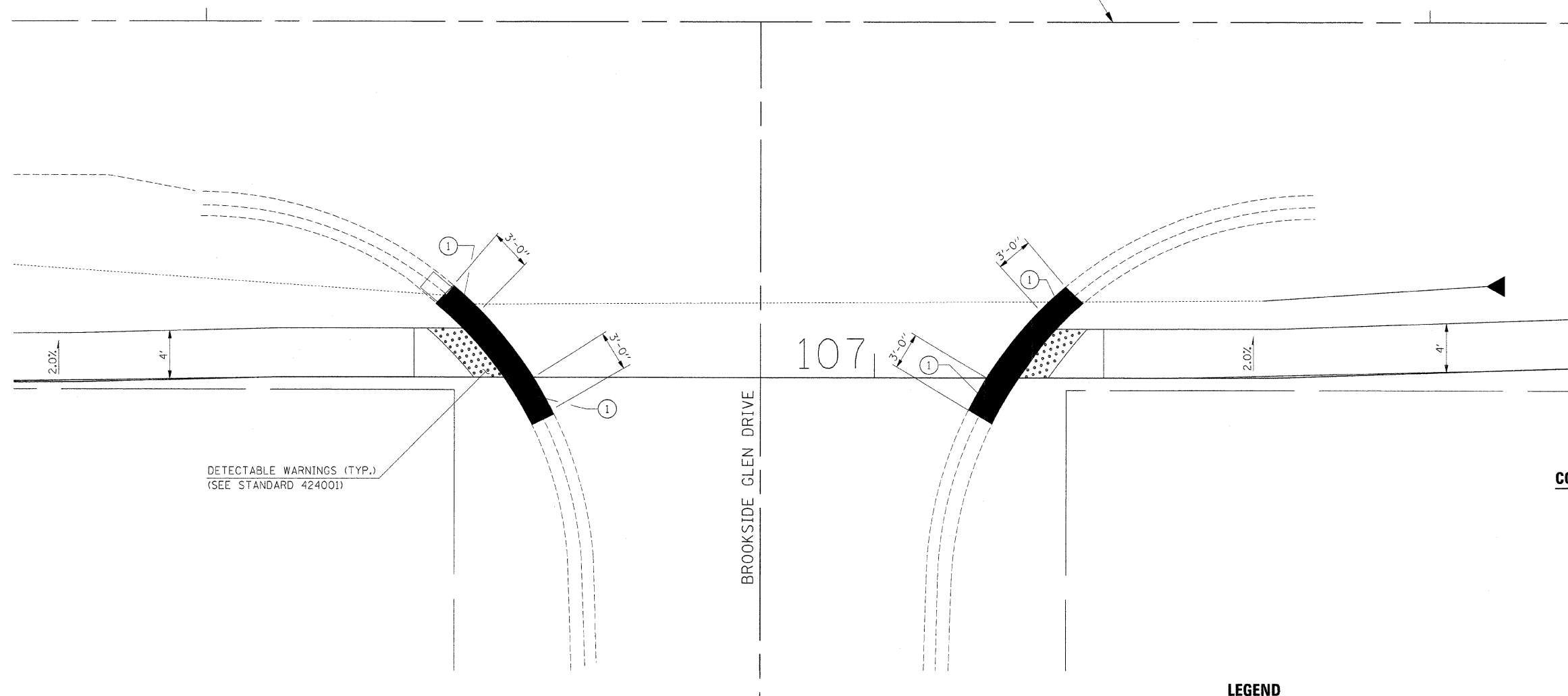
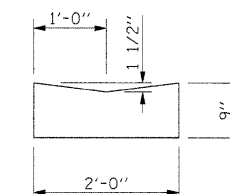


☉ FIRST STREET



DETECTABLE WARNINGS (TYP.)
(SEE STANDARD 424001)



CONCRETE GUTTER (SPECIAL) DETAIL

LEGEND

 CONCRETE GUTTER (SPECIAL)

BILL OF MATERIALS

TOTAL GUTTER REMOVAL = 23 FT
TOTAL CONCRETE GUTTER (SPECIAL) = 23 FT
DETECTABLE WARNINGS = 28 SF

NOTES:

- ① TRANSITION FROM EXISTING VALLEY GUTTER TO CONCRETE GUTTER (SPECIAL) IN 3'-0"

FILE NAME = G:\S07009-01\ced\2010\70291001.SHT	USER NAME = IE Consultants	DESIGNED -	REVISED -
		DRAWN -	REVISED -
	PLOT SCALE = 5.0000 1/16"	CHECKED -	REVISED -
	PLOT DATE = 2/14/2011	DATE -	REVISED -

VILLAGE OF SHERMAN

**FIRST /SOUTH STREET
SIDEWALK DETAIL**

SCALE: SHEET NO. OF SHEETS STA. TO STA.

F.A. RTE.	SECTION	COUNTY	TOTAL SHEETS	SHEET NO.
	08-00014-00-SW	SANGAMON	26	15
CONTRACT NO. 93486				
FED. ROAD DIST. NO. ILLINOIS FED. AID PROJECT				