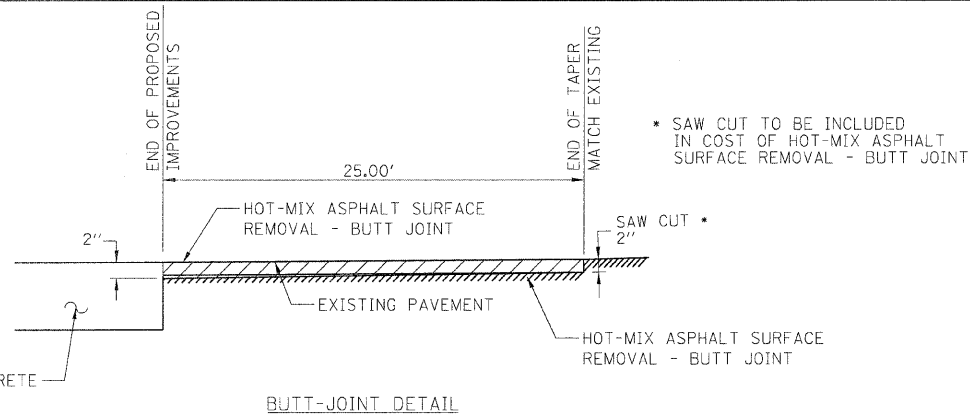
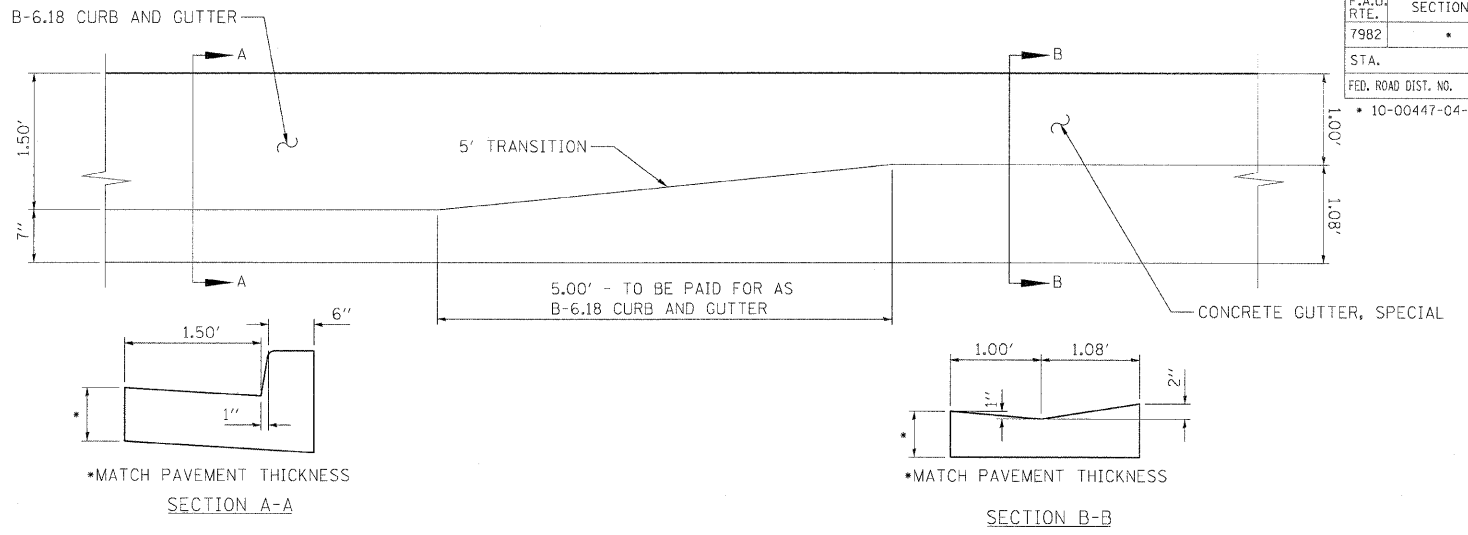


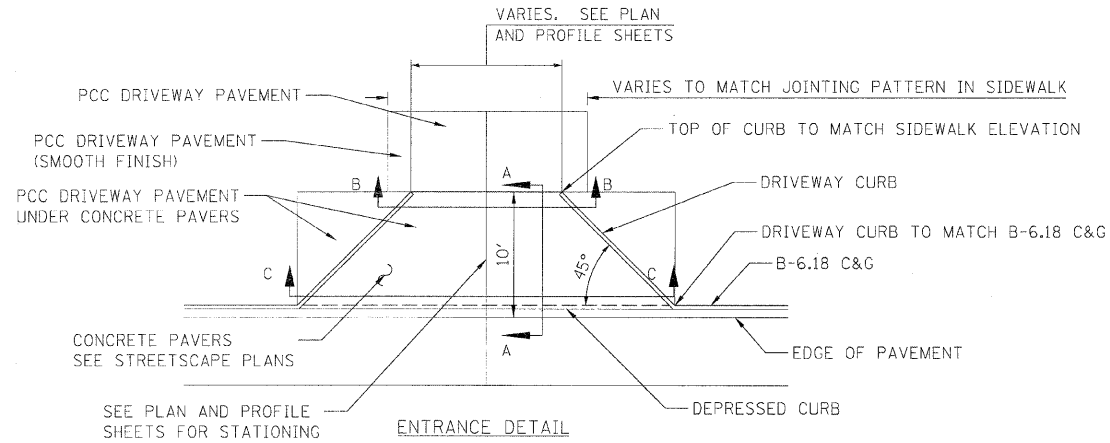
F.A.U. RTE.	SECTION	COUNTY	TOTAL SHEETS	SHEET NO.
7982		SANGAMON	63	49
STA.		TO STA.		
FED. ROAD DIST. NO.		ILLINOIS FED. AID PROJECT		
10-00447-04-PV		CITY OF SPRINGFIELD		



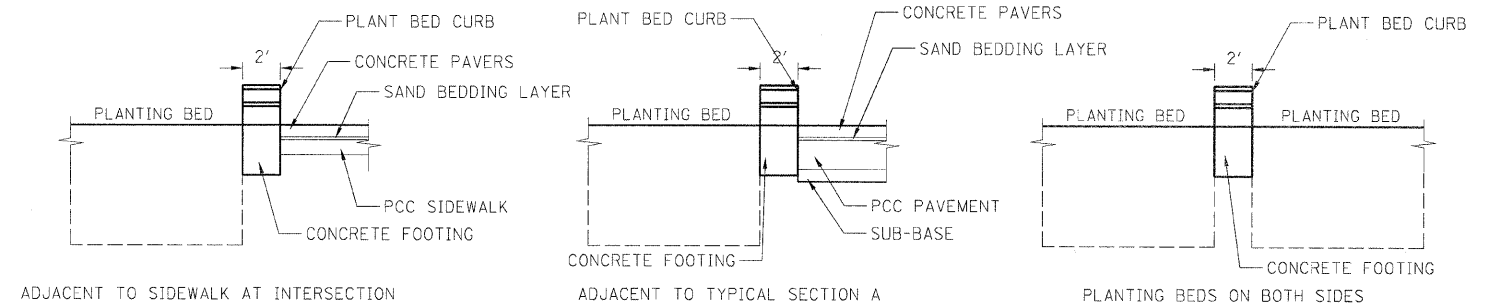
BUTT-JOINT DETAIL



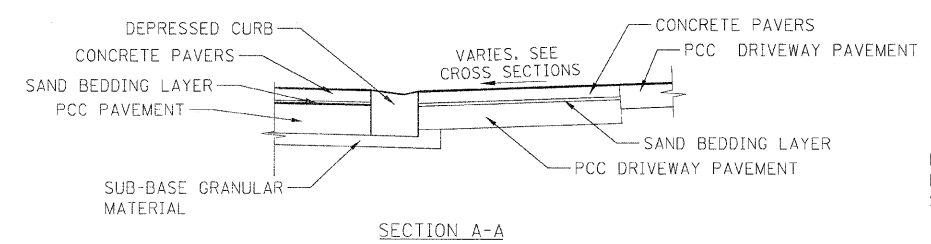
GUTTER TRANSITION DETAIL



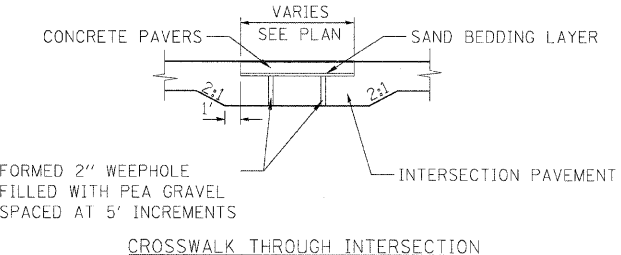
ENTRANCE DETAIL



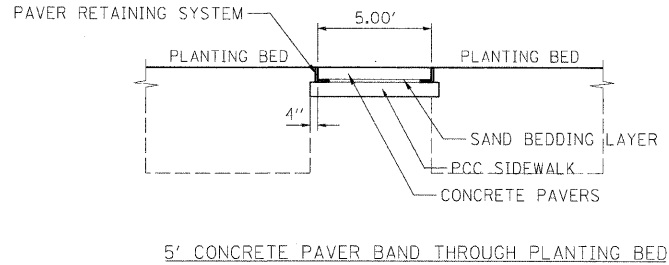
PLANTING BED CURB DETAILS



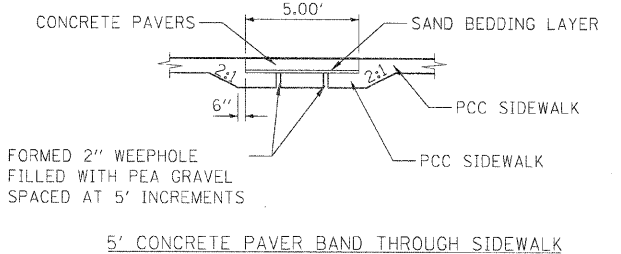
SECTION A-A



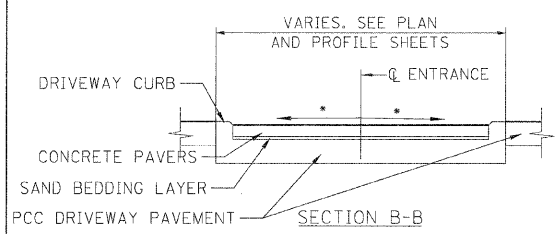
CROSSWALK THROUGH INTERSECTION



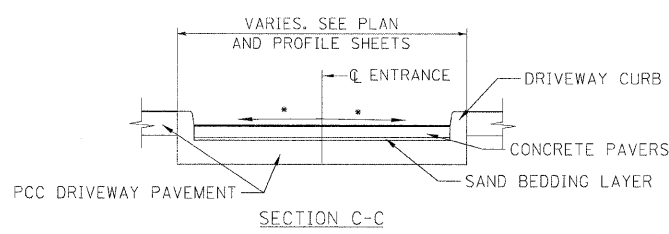
5' CONCRETE PAVER BAND THROUGH PLANTING BED



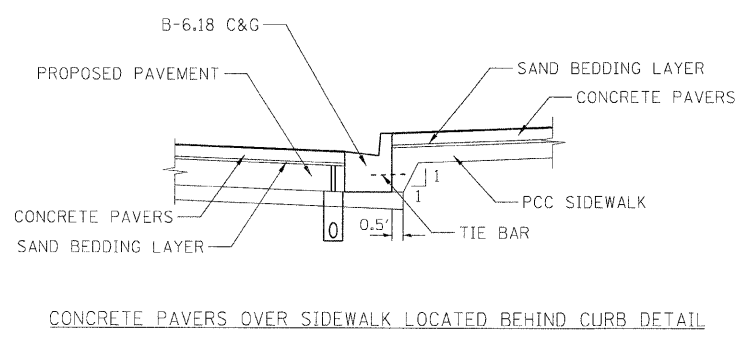
5' CONCRETE PAVER BAND THROUGH SIDEWALK



SECTION B-B



SECTION C-C



CONCRETE PAVERS OVER SIDEWALK LOCATED BEHIND CURB DETAIL

REVISIONS	
NAME	DATE

ILLINOIS DEPARTMENT OF TRANSPORTATION  
ROADWAY DETAILS

FAU RTE 7982 CAPITOL AVE  
SEC NO. 10-00447-04-PV  
SANGAMON COUNTY, ILLINOIS

SCALE: VERT. DATE 11/19/10  
DRAWN BY: RSJ  
CHECKED BY: MH



LAYOUT DATE: 02/23/07  
DRAWN DATE: 02/23/07  
REVIEWED DATE: 09/19/07

FILE NAME: I:\P2\04\10-00447-04-PV\Drawings\Sheet\Section\_3-11.dwg  
PLOT SCALE: 1/8" = 1'-0"  
USER NAME: jhanson

\* DRIVE GRADE TO MATCH ROADWAY PROFILE GRADE