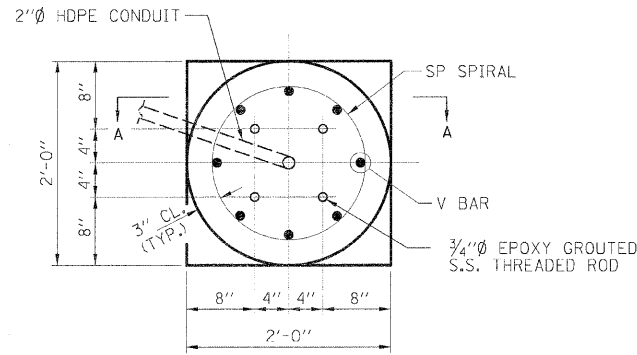
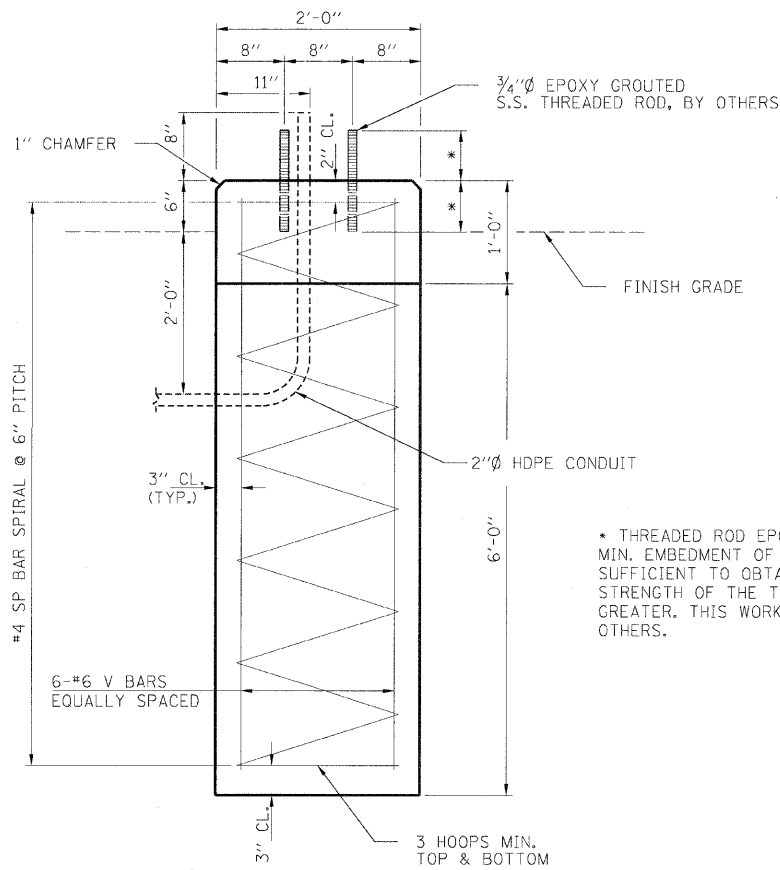


| F.A.U. RTE.         | SECTION | COUNTY                    | TOTAL SHEETS | SHEET NO. |
|---------------------|---------|---------------------------|--------------|-----------|
| 7982                | *       | SANGAMON                  | 63           | 52        |
| STA.                |         | TO STA.                   |              |           |
| FED. ROAD DIST. NO. |         | ILLINOIS FED. AID PROJECT |              |           |
| 10-00447-04-PV      |         | CITY OF SPRINGFIELD       |              |           |



PLAN VIEW



SECTION A-A

DRILLED SHAFT CONCRETE FOUNDATION FOR INTERPRETIVE MARKER

NOTES:  
COST OF PVC CONDUIT SHALL BE INCLUDED WITH CONCRETE STRUCTURES.

STAINLESS STEEL THREADED RODS SHALL MEET THE REQUIREMENTS OF ASTM F593 (AISI 304/316). COST OF S.S. THIS WORK SHALL BE COMPLETED BY OTHERS.

SEE STREETScape PLANS FOR LOCATIONS.

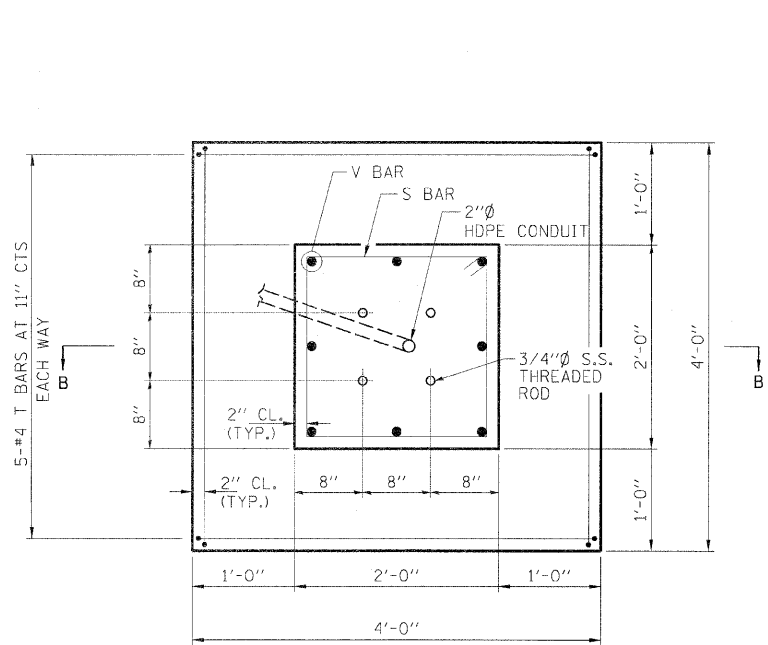
THE CONTRACTOR MAY ELECT TO USE THE OPTIONAL CONCRETE FOUNDATION. NO ADDITIONAL COMPENSATION WILL BE ALLOWED FOR USE OF THIS FOUNDATION. THE OPTIONAL CONCRETE FOUNDATION SHALL BE ACCORDING TO IDOT STANDARD SPECIFICATIONS FOR ROAD AND BRIDGE CONSTRUCTION ADOPTED 2007, SECTION 502, 503 & 508.

**BILL OF MATERIAL**  
**ONE DRILLED SHAFT FOUNDATION ONLY**

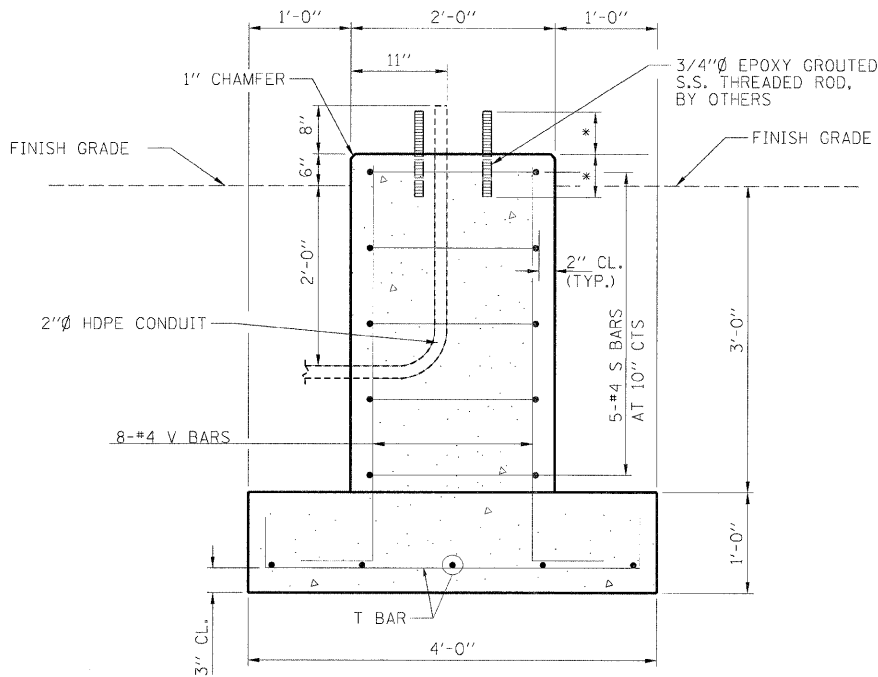
| BAR  | NO. | SIZE | LENGTH | SHAPE |
|--|-----|------|--------|-------|
| SP   | 1   | #4   | 6'-7"  |       |
| V  | 6   | #6   | 6'-8"  | —     |
| DRILLED SHAFT CONCRETE FOUNDATION REINFORCEMENT BARS |     |      | CU.YD. | 0.9   |
|  |     |      | POUND  | 120   |

**MIN. BAR LAPS**  
#4 SPIRALS: 2'-0"

\*\* LENGTH IS HEIGHT OF SPIRAL  
4 DRILLED SHAFT CONCRETE FOUNDATIONS FOR INTERPRETIVE MARKERS REQUIRED.



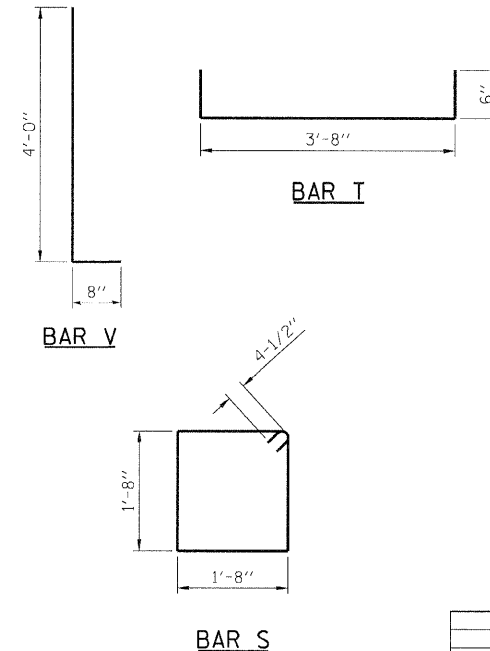
PLAN VIEW



SECTION B-B

OPTIONAL CONCRETE FOUNDATION FOR INTERPRETIVE MARKER

\* THREADED ROD EPOXY GROUTED SHALL HAVE A MIN. EMBEDMENT OF 13 1/4" OR AN EMBEDMENT SUFFICIENT TO OBTAIN 1.25 X THE YIELD STRENGTH OF THE THREADED ROD, WHICHEVER IS GREATER. THIS WORK SHALL BE COMPLETED BY OTHERS.



NOTES:  
COST OF PVC CONDUIT SHALL BE INCLUDED WITH CONCRETE STRUCTURES.

STAINLESS STEEL THREADED RODS SHALL MEET THE REQUIREMENTS OF ASTM F593 (AISI 304/316). COST OF S.S. THIS WORK SHALL BE COMPLETED BY OTHERS.

SEE STREETScape PLANS FOR LOCATIONS.

THE CONTRACTOR MAY ELECT TO USE THE OPTIONAL CONCRETE FOUNDATION. NO ADDITIONAL COMPENSATION WILL BE ALLOWED FOR USE OF THIS FOUNDATION. THE OPTIONAL CONCRETE FOUNDATION SHALL BE ACCORDING TO IDOT STANDARD SPECIFICATIONS FOR ROAD AND BRIDGE CONSTRUCTION ADOPTED 2007, SECTION 502, 503 & 508.

| REVISIONS |      |
|-----------|------|
| NAME      | DATE |
|           |      |
|           |      |
|           |      |
|           |      |
|           |      |

ILLINOIS DEPARTMENT OF TRANSPORTATION  
MISCELLANEOUS FOUNDATION DETAILS  
FAU RTE 7982 CAPITOL AVE  
SEC NO. 10-00447-04-PV  
SANGAMON COUNTY, ILLINOIS

SCALE: VERT. HORIZ. DATE 11/19/10  
DRAWN BY DAB  
CHECKED BY MNM