

F.A.U. RTE.	SECTION	COUNTY	TOTAL SHEETS	SHEET NO.
7982		SANGAMON	63	53
STA.		TO STA.		
FED. ROAD DIST. NO.		ILLINOIS FED. AID PROJECT		
• 10-00447-04-PV		CITY OF SPRINGFIELD		

**BILL OF MATERIAL
ONE CONCRETE BASE ONLY**

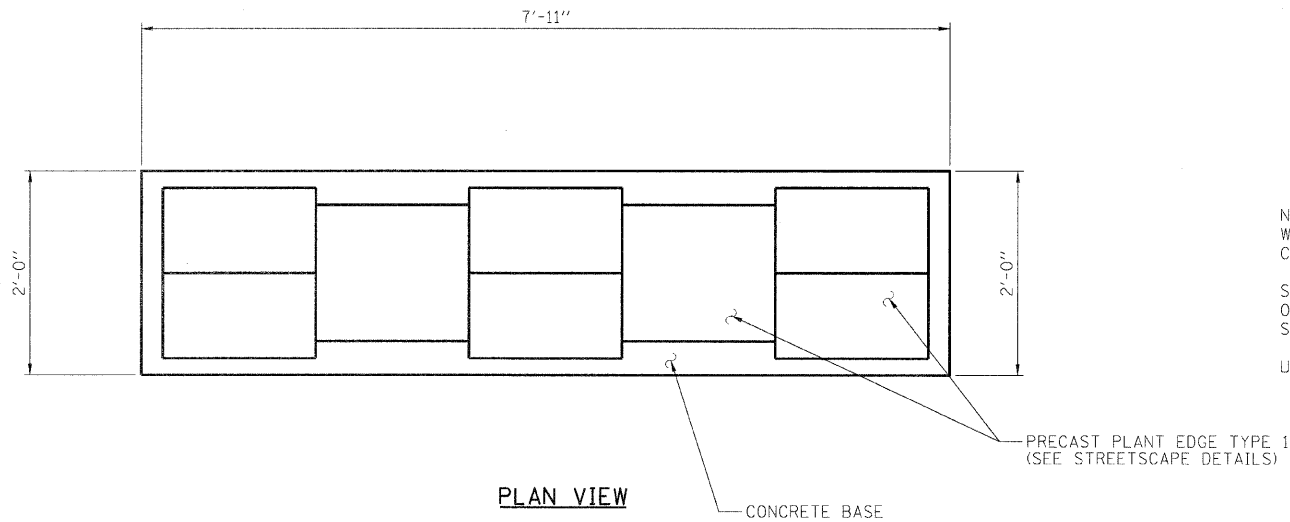
DESCRIPTION	UNIT	QUANTITY
CONCRETE STRUCTURES	CU. YD.	0.5

12 CONCRETE BASES REQUIRED

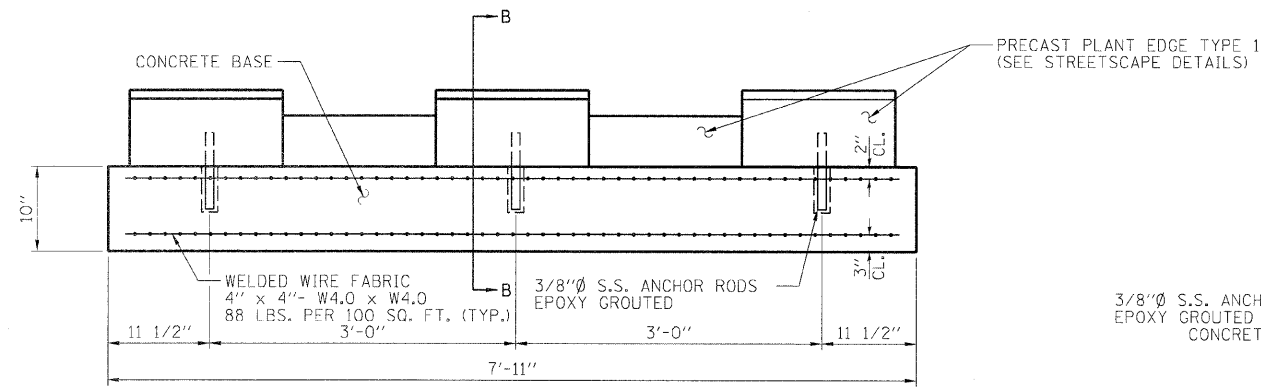
NOTES:
WELDED WIRE FABRIC SHALL BE INCLUDED IN THE COST OF CONCRETE STRUCTURES.

STAINLESS STEEL ANCHOR ROD SHALL MEET THE REQUIREMENTS OF ASTM F593 (AISI 304/316). COST OF S.S. ANCHOR RODS SHALL BE INCLUDED WITH CONCRETE STRUCTURES.

USE 4 ANCHOR RODS FOR PRECAST PLANT EDGE TYPE II.

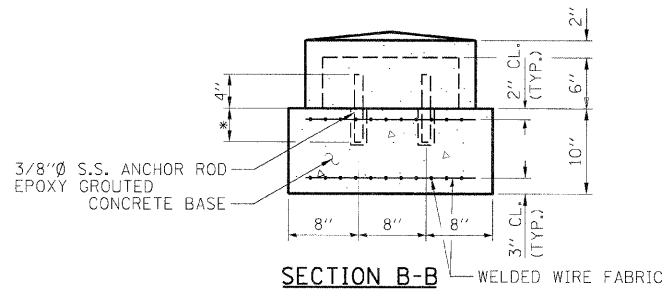


PLAN VIEW



ELEVATION VIEW

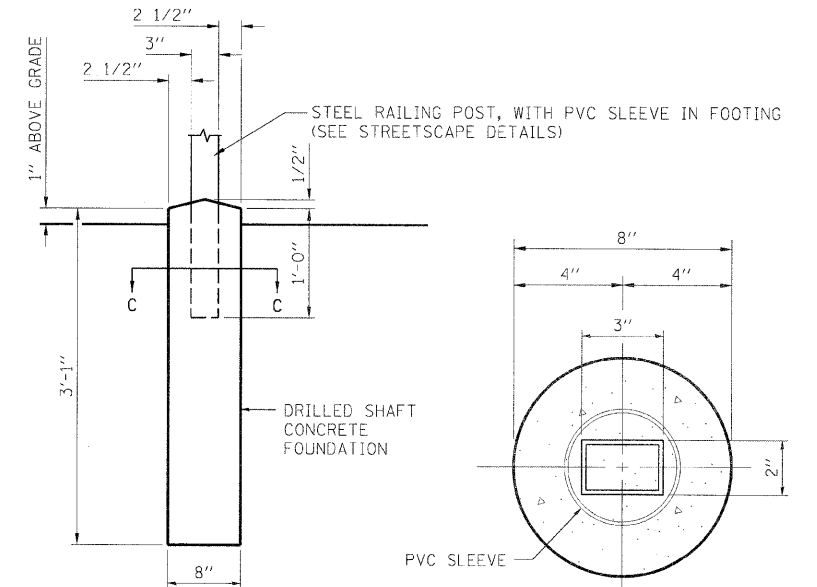
CONCRETE BASE FOR PRECAST PLANT EDGE TYPE I & TYPE II



SECTION B-B

* ANCHOR ROD SHALL HAVE AN EMBEDMENT SUFFICIENT TO OBTAIN 1.25 X THE YIELD STRENGTH OF THE ANCHOR ROD.

CONCRETE FOUNDATION FOR DECORATIVE STEEL PLANTER RAILING



ELEVATION VIEW

SECTION C-C

NOTE: THE DRILLED SHAFT CONCRETE FOUNDATION SHALL BE ACCORDING TO IDOT STANDARD SPECIFICATIONS FOR ROAD AND BRIDGE CONSTRUCTION ADOPTED 2007, SECTION 734. COST OF THE DRILLED SHAFT CONCRETE FOUNDATION SHALL BE INCLUDED WITH DECORATIVE STEEL RAILING.

REVISIONS	
NAME	DATE

ILLINOIS DEPARTMENT OF TRANSPORTATION
MISCELLANEOUS FOUNDATION DETAILS
FAU RTE 7982 CAPITOL AVE
SEC NO. 10-00447-04-PV
SANGAMON COUNTY, ILLINOIS

SCALE: VERT. DRAWN BY DAB
HORIZ. CHECKED BY MNM
DATE 11/19/10



LAYOUT DATE: 11/27/07
DRAWN: DAB 11/27/07
REVIEWED: MNM 11/27/07
PLOT DATE: 11/27/07
FILE NAME: I:\PROJECTS\2007\10-00447-04-PV\Road\Microstation\Sheets\Section\3-11th - 18th\10-00447-04-PV-MARKER-CURB.DET.dgn
PLOT SCALE: 5/8" = 1'-0"
USER NAME: JohnB@hanson.com