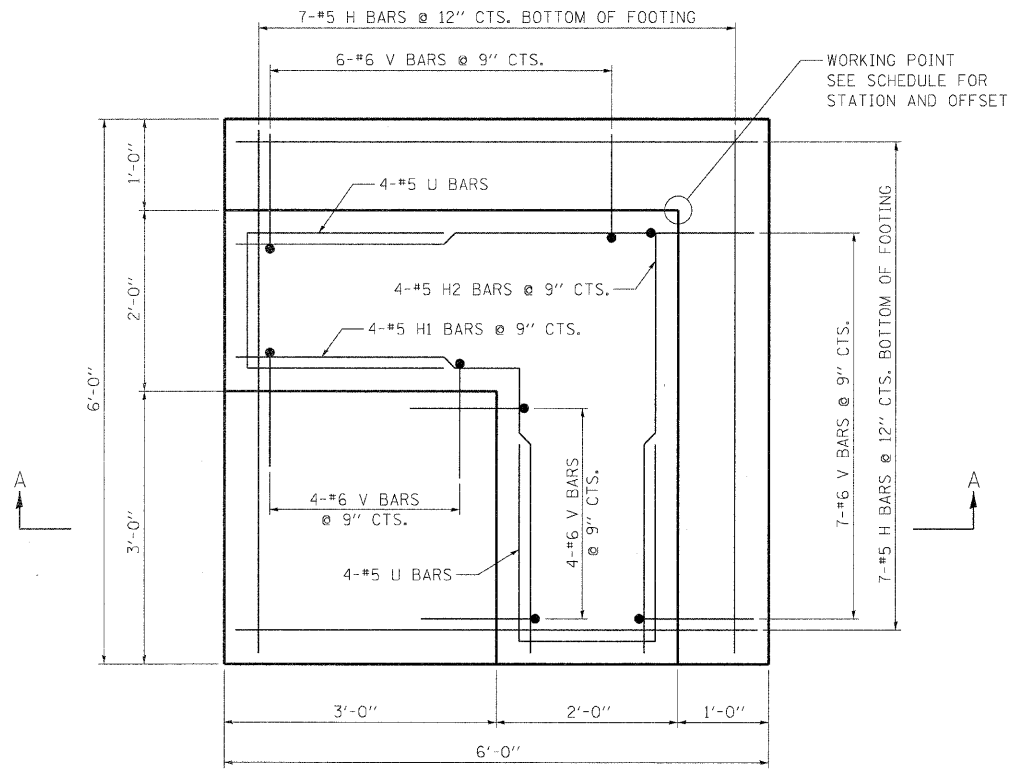
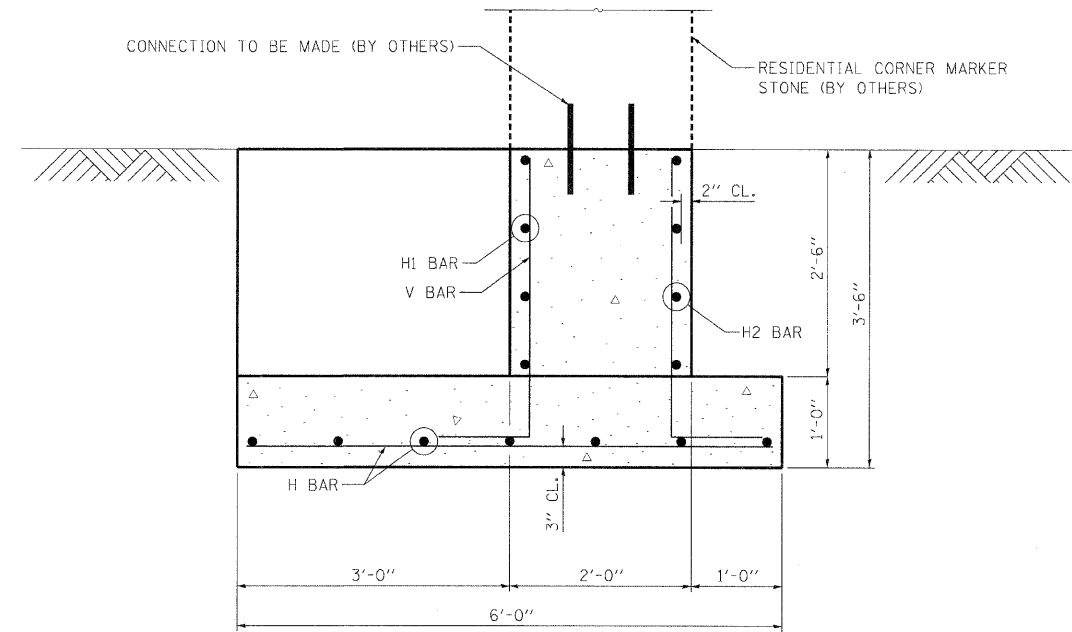


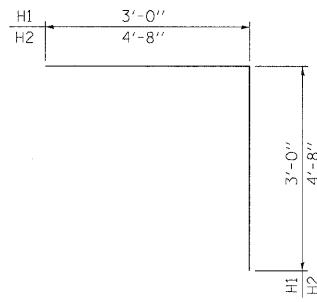
FAU RTE.	SECTION	COUNTY	TOTAL SHEETS	SHEET NO.
7982		SANGAMON	63	56
STA.		TO STA.		
FED. ROAD DIST. NO.		ILLINOIS FED. AID PROJECT		
10-00447-04-PV		CITY OF SPRINGFIELD		



PLAN



SECTION A-A



H1 OR H2 BAR

MIN. BAR LAPS

#5 BAR: 2'-2"

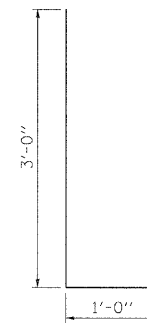
NOTES:
SEE RESIDENTIAL CORNER MARKER FOUNDATION SCHEDULE AND STREETSCAPE PLANS FOR LOCATIONS OF FOUNDATIONS.

RESIDENTIAL CORNER MARKER FOUNDATION SCHEDULE				
STATION	OFFSET	REINFORCEMENT BARS	CONCRETE STRUCTURES	STRUCTURE EXCAVATION
		POUNDS	CU YD	CU YD
73+33.26	33.39'	320	2.8	13
74+12.37	-34.17'	320	2.8	13
77+34.43	33.53'	320	2.8	13
78+11.47	-34.17'	320	2.8	13
81+35.21	33.96'	320	2.8	13
82+13.89	-33.85'	320	2.8	13
85+36.43	33.52'	320	2.8	13
86+10.38	-33.41'	320	2.8	13
89+37.61	33.22'	320	2.8	13
90+14.14	-33.43'	320	2.8	13
TOTAL RESIDENTIAL CORNER MARKER FOUNDATION QUANTITIES		3200	28.0	130

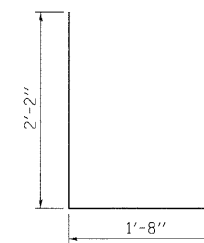
BILL OF MATERIAL - ONE RESIDENTIAL CORNER MARKER FOUNDATION

BAR	NO.	SIZE	LENGTH	SHAPE
H	14	#5	5'-8"	—
H1	4	#5	6'-0"	┌
H2	4	#5	9'-4"	└
U	8	#5	6'-0"	┌
V	21	#6	4'-0"	└
Reinforcement Bars		Pounds	320	
Concrete Structures		Cu. Yd.	2.8	
Structure Excavation		Cu. Yd.	13	

10 RESIDENTIAL CORNER MARKER FOUNDATIONS REQUIRED.



V BAR



U BAR

REVISIONS	
NAME	DATE

ILLINOIS DEPARTMENT OF TRANSPORTATION
RESIDENTIAL CORNER MARKER FOUNDATION
FAU RTE 7982 CAPITOL AVE
SEC NO. 10-00447-04-PV
SANGAMON COUNTY, ILLINOIS

SCALE: VERT. HORIZ. DATE 11/19/10 DRAWN BY DAP CHECKED BY MNM