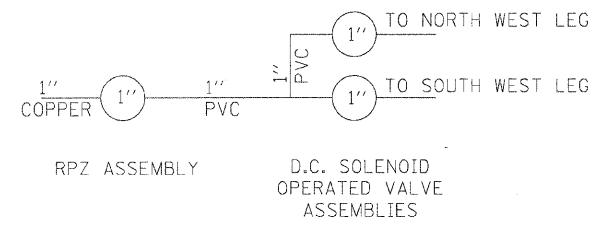
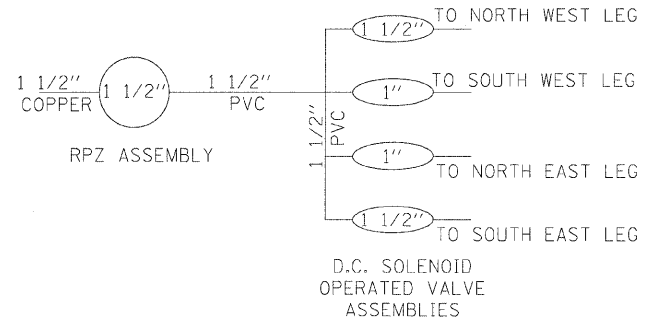


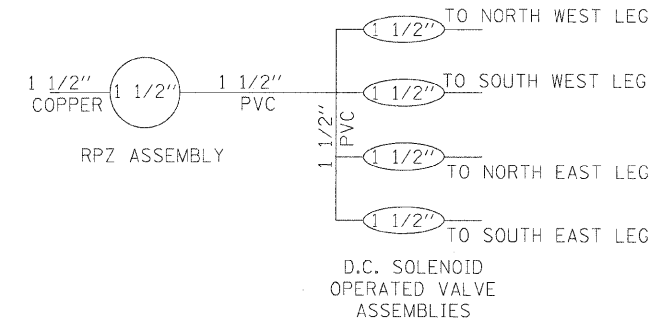
F.A.U. RTE.	SECTION	COUNTY	TOTAL SHEETS	SHEET NO.
7982	*	SANGAMON	63	60
STA.		TO STA.		
FED. ROAD DIST. NO.	ILLINOIS	FED. AID PROJECT		
* 10-00447-04-PV		CITY OF SPRINGFIELD		



3RD STREET MANIFOLD DETAIL



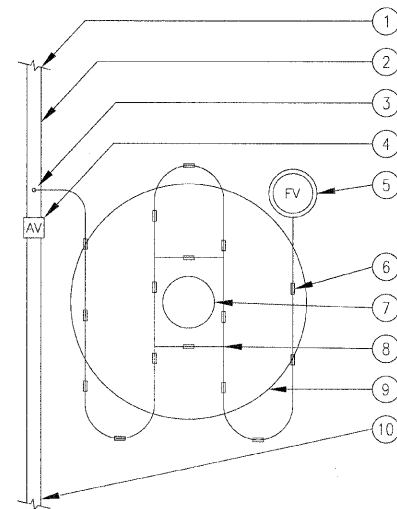
4TH STREET MANIFOLD DETAIL



6TH STREET MANIFOLD DETAIL

- IRRIGATION KEY**
- W1 IRRIGATION BED 0.5 GPM EMITTER
 - W2 IRRIGATION BED 1.0 GPM EMITTER
 - W3 TWO WIRE DECODER CONTROLLER
 - W4 1 1/2" RPZ ASSEMBLY
 - W5 1" RPZ ASSEMBLY
 - W6 2 STATION DECODER
 - W7 4 STATION DECODER
 - W8 IRRIGATION BED CONNECTION TYP

 - W10 1 1/2" SCHEDULE 40 GLUE JOINT PIPE
 - W11 1" SCHEDULE 40 GLUE JOINT PIPE
 - W12 1 1/2" TYPE K COPPER
 - W13 1" TYPE K COPPER



TREE IRRIGATION DETAIL

1. PVC LATERAL LINE FROM MAIN LINE.
2. PVC SUPPLY LINE.
3. MANIFOLD-TO-ELBOW CONNECTION (TYP).
4. AIR/VACUUM RELIEF VALVE PLUMBED TO PVC SUPPLY LINE AT HIGH POINT.
5. AUTOMATIC FLUSH VALVE PLUMBED TO TUBING AT END OF EACH LINE.
6. 3/8" MANIFOLD DRIPLINE W/18" EMITTER SPACING
7. TREE ROOTBALL.
8. TEE.
9. ESTIMATED DRIP LINE OF MATURE TREE.
10. PVC SUPPLY LINE TO OTHER TREES.

REVISIONS	
NAME	DATE

ILLINOIS DEPARTMENT OF TRANSPORTATION
 IRRIGATION DETAILS
 FAU RTE 7982 CAPITOL AVE
 SEC NO. 10-00447-04-PV
 SANGAMON COUNTY, ILLINOIS

SCALE: VERT. DRAWN BY LJB
 HORIZ. CHECKED BY
 DATE 11/19/10



LAYOUT DAP 10/27/07
 DRAWN DAP 02/23/07
 REVIEWED MH 05/19/07

PLOT DATE: 08/05/2011
 FILE NAME: I:\2007\10-00447-04-PV\10-00447-04-PV-IRR.DET.dgn
 PLOT SCALE: 1/8" = 1'-0"