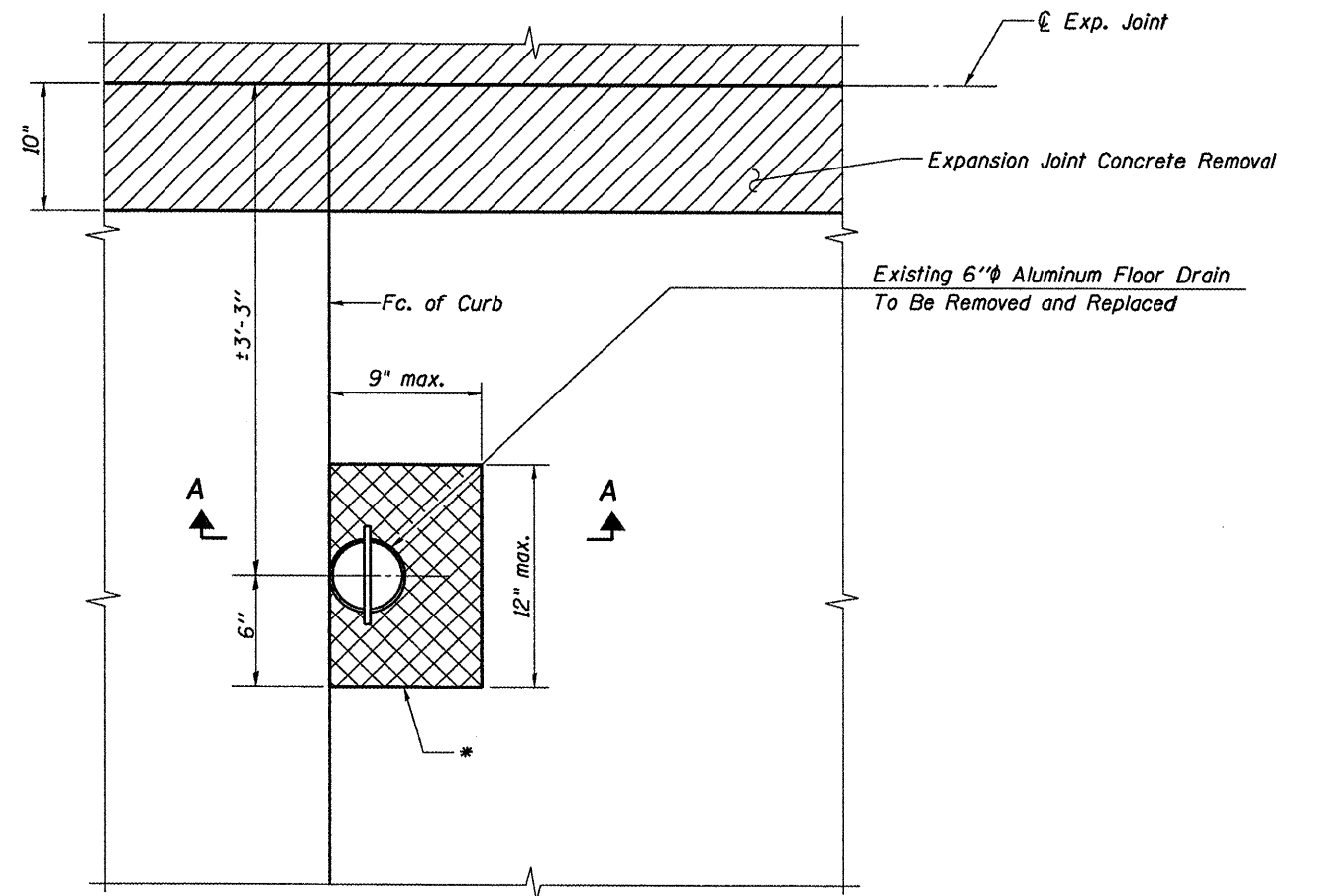


SECTION A-A

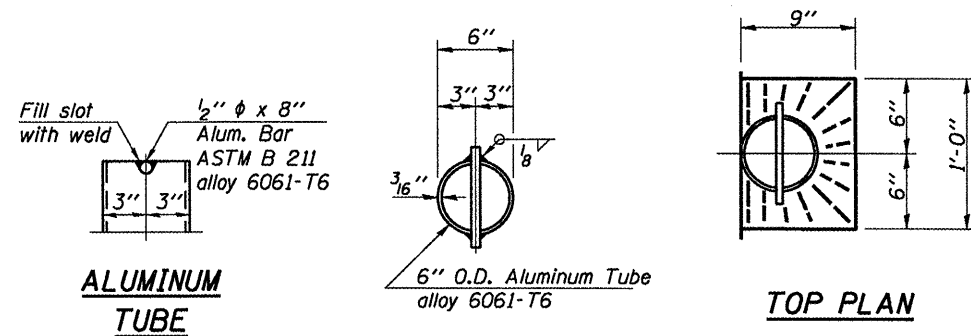
* Sawcut perimeter 1" deep

Note:
Cross-hatched area indicates area of concrete removal for floor drain replacement.



PLAN AT EXISTING FLOOR DRAINS

(To be Removed and Replaced at 22 Locations)



TOP PLAN
(Showing Aluminum Tube)

PROPOSED FLOOR DRAINS

(22 Required)

BILL OF MATERIAL

Item	Unit	Total
Remove and Replace Floor Drains	Each	22

Note:

Cross-hatched area indicates area of concrete removal for floor drain replacement.

Removal and replacement of the existing concrete necessary to replace the floor drains shall be done in accordance with the special provision for Deck Slab Repairs. This work shall not be measured separately but shall be included in the cost for REMOVE AND REPLACE FLOOR DRAINS.

DRAIN DETAILS
VACHEL LINDSAY BRIDGE REHABILITATION
LONG BAY DRIVE OVER LAKE SPRINGFIELD
SPRINGFIELD, ILLINOIS

CEC Cummins
Engineering
Corporation
Civil and Structural Engineering

JOB = 2207	DESIGNED	M.D.C.
FILE = 2207drains.dgn	CHECKED	A.A.N.
DATE = 2/9/2011	DRAWN	T.S.H.
	CHECKED	M.D.C.

F.A.U. RTE.	SECTION	COUNTY	TOTAL SHEETS	SHEET NO.
8003	09-00469-00-BR	SANGAMON	36	29
CITY OF SPRINGFIELD		CONTRACT NO.		
FED. ROAD DIST. NO.		ILLINOIS FED. AID PROJECT 93546		