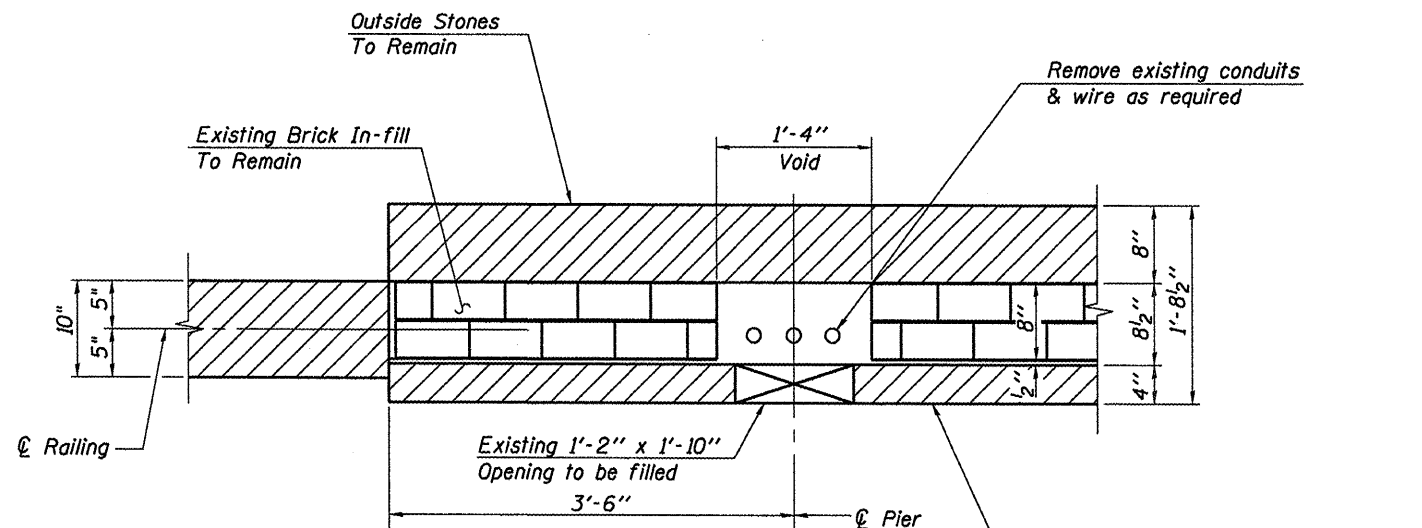
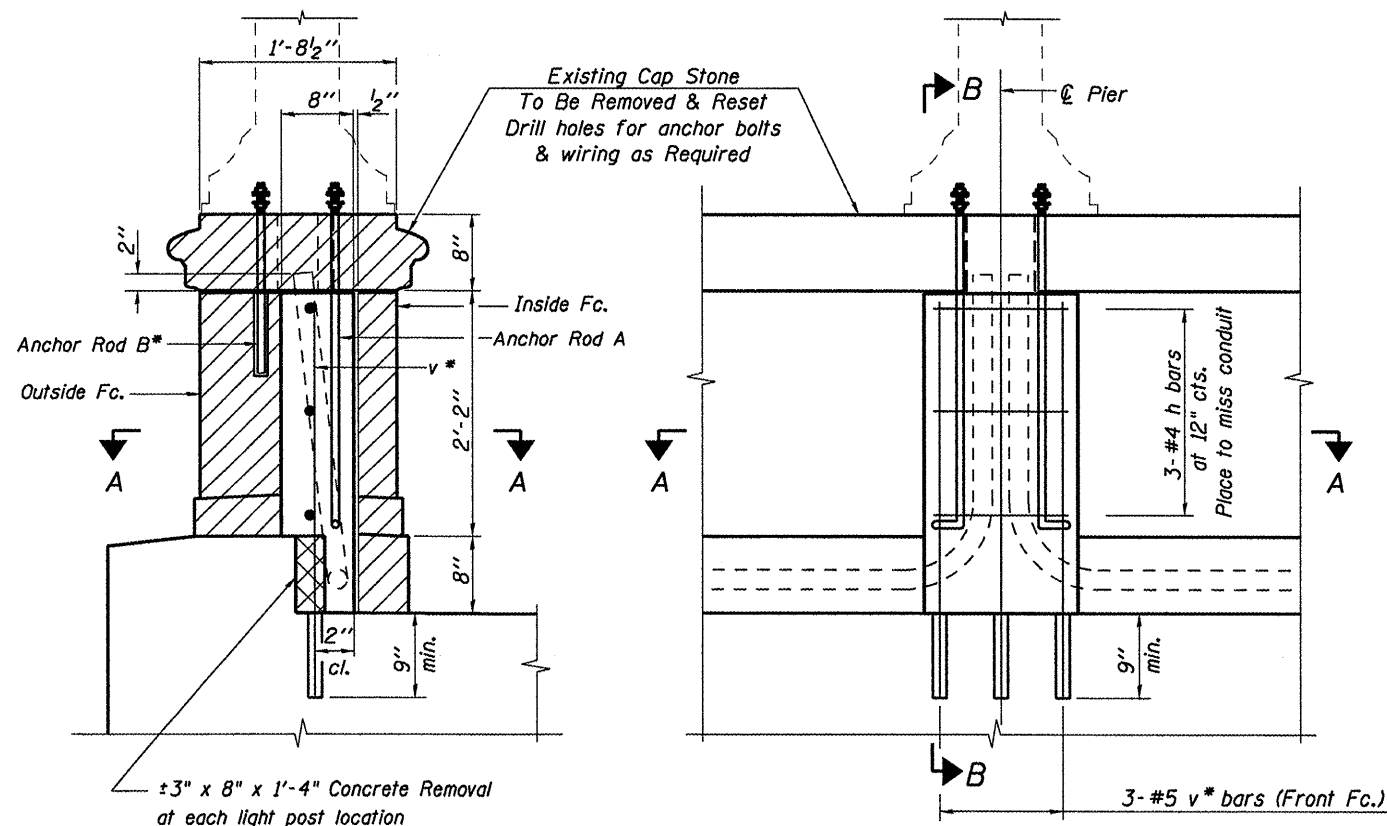


**SECTION A-A
THRU PROPOSED PIER
SHOWING PROPOSED LIGHT POLE FOUNDATION**
(Typical at 28 Locations)



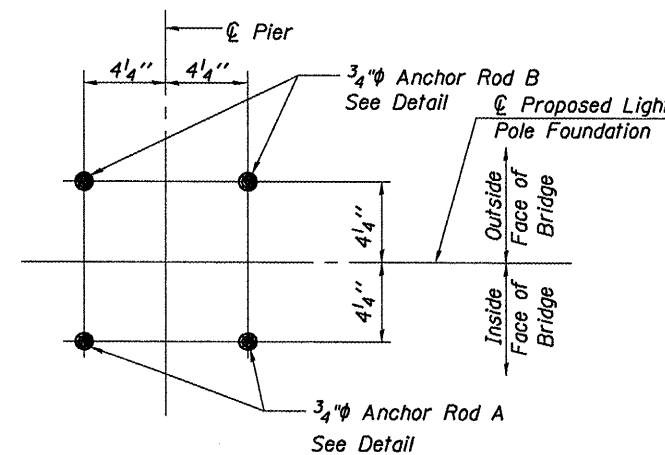
**SECTION A-A
THRU EXISTING PIER**
(Typical at 28 Locations)

Note: Remove old conduit and wires as required to construct new light pole foundation. Cost included in Concrete Removal. Existing light to be removed prior to construction by others.



SECTION B-B

ELEVATION

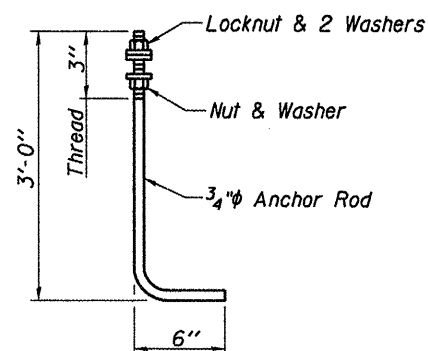


ANCHOR ROD LAYOUT DETAIL
(28 Locations)

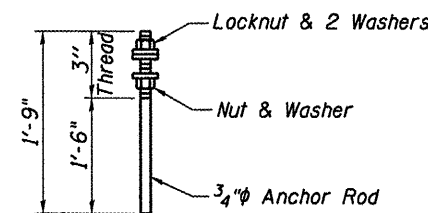
**BILL OF MATERIAL
28 LIGHT POLE FOUNDATIONS**

Bar	No.	Size	Length	Shape
h	84	#4	1'-0"	—
v*	84	#5	3'-5"	—
		Concrete Structures	Cu. Yd.	2.3
		Reinforcement Bars, Epoxy Coated	Pound	360
		Anchor Rods	Each	112
		Concrete Removal	Cu. Yd.	4.9

Note: All bars and anchor rods designated with an asterisk (i.e.: v*) shall be epoxy grouted in accordance with Section 584 of the Standard Specifications. Minimum embedment = 9". All reinforcement bars shall be epoxy coated. For conduit and light pole see Lighting Plans.



ANCHOR ROD A
(ASTM F 1554 Grade 105)
(56 Required)



ANCHOR ROD B*
(ASTM F 1554 Grade 105)
(56 Required)

**RAILING DETAILS
VACHEL LINDSAY BRIDGE REHABILITATION
LONG BAY DRIVE OVER LAKE SPRINGFIELD
SPRINGFIELD, ILLINOIS**