

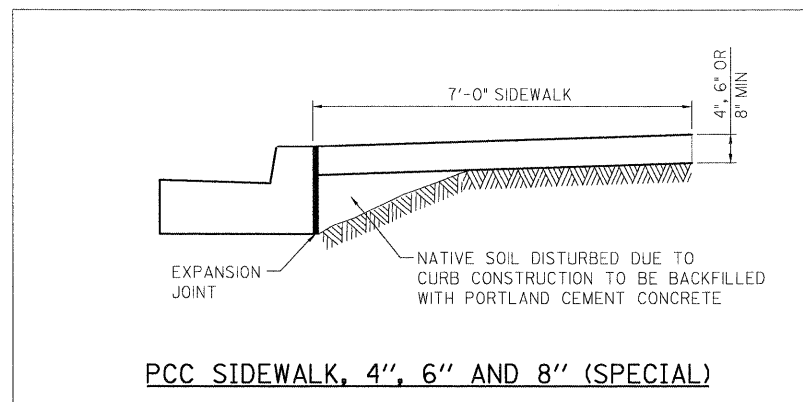
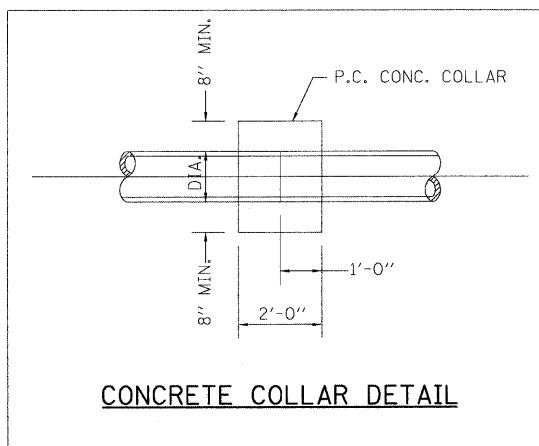
NOTES:

1: THE COST OF CONSTRUCTING THE DEPRESSED CURB AS SHOWN SHALL BE INCLUDED IN THE COST OF CONSTRUCTING COMBINATION CONCRETE CURB AND GUTTER TYPE B-6.24 AND NO ADDITIONAL COMPENSATION WILL BE ALLOWED.

2: THE COST OF FURNISHING AND INSTALLING THE 3/4" EXPANSION JOINTS AND THE COST OF CONSTRUCTING THE P.C.C. SIDEWALK, INCLUDING THE ADJACENT CURBING SHOWN, SHALL BE INCLUDED IN THE COST OF CONSTRUCTING PORTLAND CEMENT CONCRETE SIDEWALK 4" AND NO ADDITIONAL COMPENSATION WILL BE ALLOWED.

3: THE SIDEWALK TRANSITION AREA (EXCEPT FOR TRUNCATED DOME AREA) SHALL BE GIVEN A TEXTURED SURFACE BY MEANS OF CONSTRUCTING TRANSVERSE GROOVES IN THE SURFACE OF THE PORTLAND CEMENT CONCRETE SIDEWALK RAMP. THE GROOVES MAY BE CONSTRUCTED BY TOOLING THE SURFACE OF THE CONCRETE WITH A CONCRETE FINISHING TOOL SIMILAR TO THOSE USED TO CONSTRUCT SIDEWALK CONSTRUCTION JOINTS. THE GROOVES SHALL BE NOMINALLY 1/4" INCH DEEP AND 1/4" INCH WIDE AND SHALL BE CONSTRUCTED AT ONE AND ONE HALF INCHES (1 1/2") CENTER TO CENTER ACROSS THE ENTIRE WIDTH AND LENGTH OF THE SLOPED RAMP. THE GROOVES SHOULD BE CONSTRUCTED IN STRAIGHT PARALLEL LINES TRAVERSE TO THE DIRECTION OF PEDESTRIAN TRAVEL. THIS WORK SHALL NOT BE PAID FOR SEPARATELY, BUT SHALL BE CONSIDERED INCLUDED IN THE CONTRACT UNIT PRICE FOR PORTLAND CEMENT CONCRETE SIDEWALK 4".

4: THE MAXIMUM LONGITUDINAL SLOPE OF A RAMP SHALL BE 1:12. THE MAXIMUM CROSS SLOPE OF A RAMP SHALL BE NO GREATER THAN 1:50 (2.0%).



IL 45 TO EAST OF BOX

FILE NAME: 0890196_MiscDetails_west.dgn	USER NAME: @USER#	DESIGNED: PSA	REVISED: -	<b>CITY OF EFFINGHAM</b>	<b>RICKELMAN AVE (FAU 8376) SECTION 07-00112-00-PV MISCELLANEOUS ROADWAY DETAILS</b>	F.A.U. RTE. 8376	SECTION 07-00112-00-PV	COUNTY EFFINGHAM	TOTAL SHEETS 53	SHEET NO. 28		
PLOT SCALE: AS SCALE 1	CHECKED: PJM	DRAWN: JTC	REVISED: -			SCALE: N.T.S.	SHEET NO. OF SHEETS	STA. 13+80.0	TO STA. 24+60.0	CONTRACT NO. 95635		
PLOT DATE: 10/19/10	DATE: 10/19/10	REVISOR: PJM	REVISED: -			FED. ROAD DIST. NO. ILLINOIS FED. AID PROJECT						
FARNSWORTH GROUP, INC.		CONSULTING ENGINEERS - 104 NORTH SECOND STREET, SUITE A, EFFINGHAM, IL 62401 (217)342-5668 / (217)342-5853 FAX										