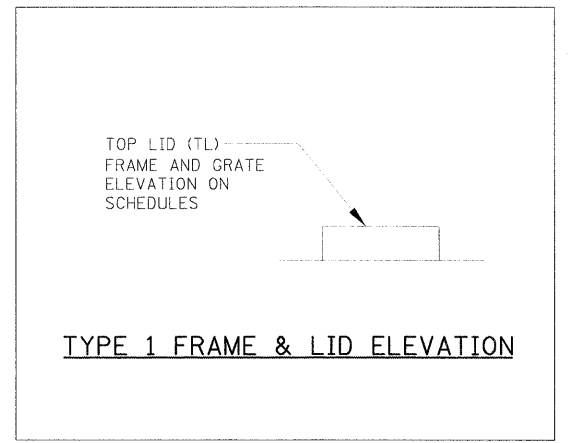
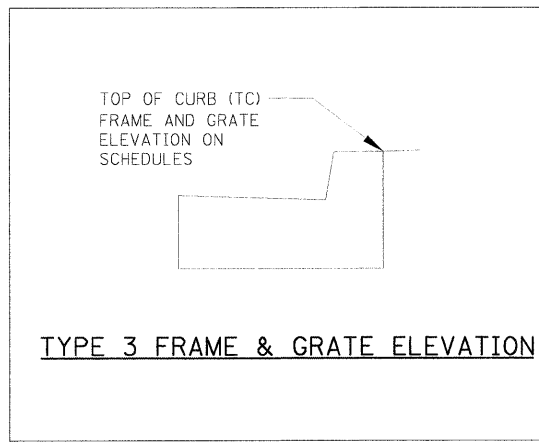
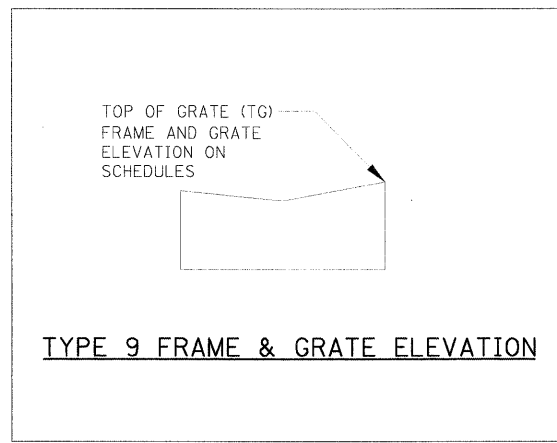
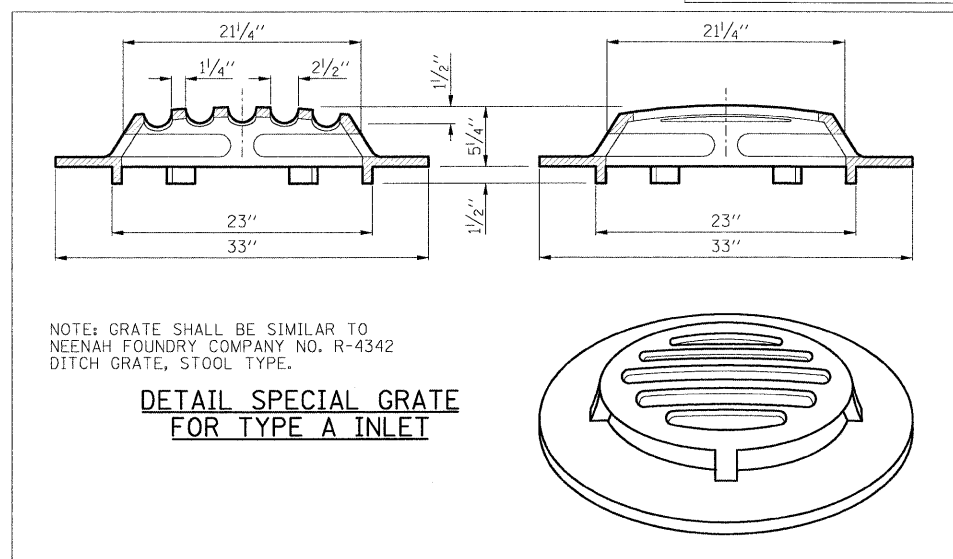
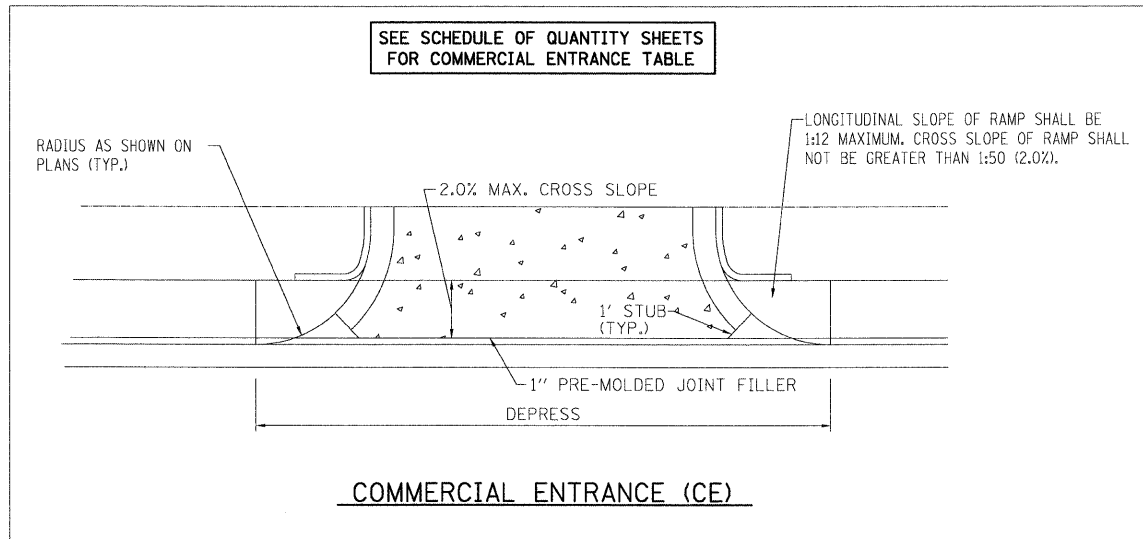
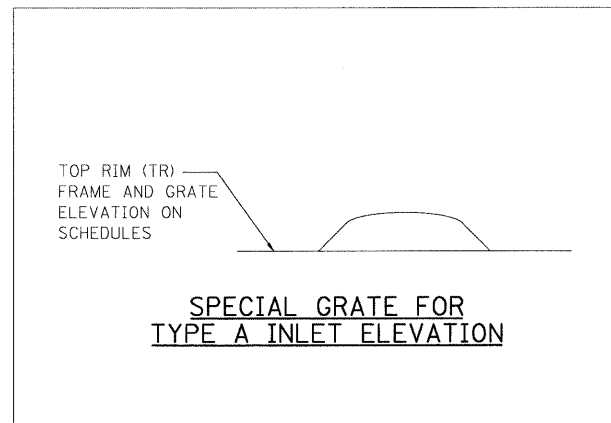


SEE SCHEDULE OF QUANTITY SHEETS FOR COMMERCIAL ENTRANCE TABLE

ENTRANCE SCHEDULE				
STATION	TYPE	A	B	C
22+81.3, RT	PE	16.62'	12'	34.5'



IL 45 TO EAST OF BOX