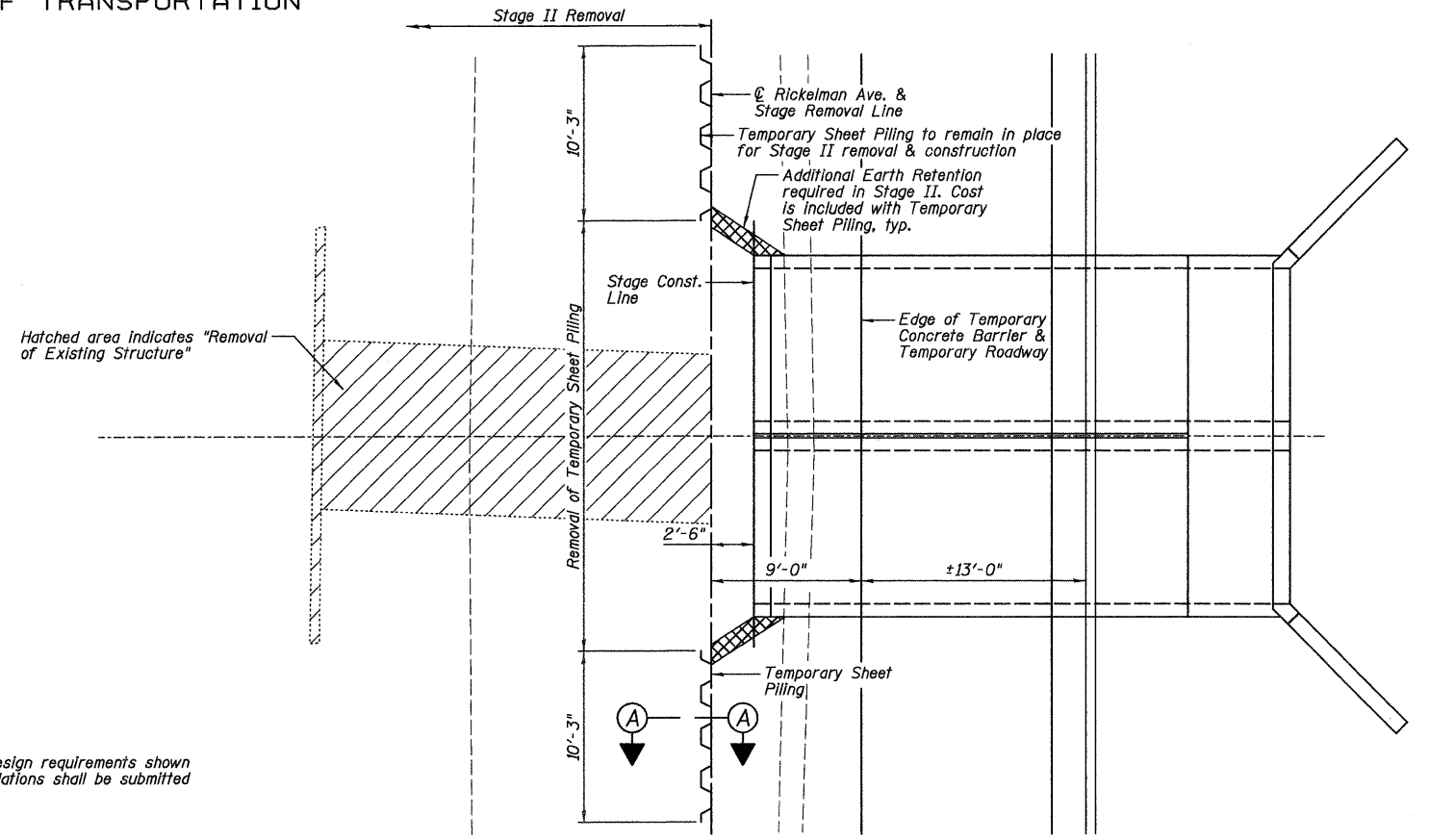
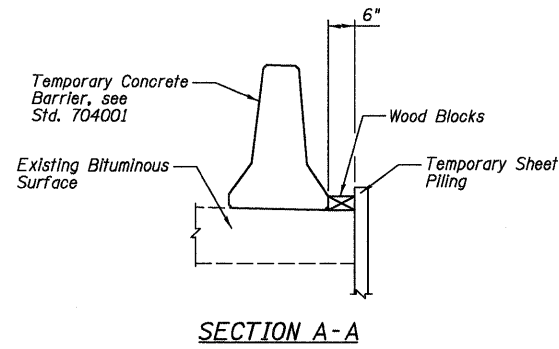
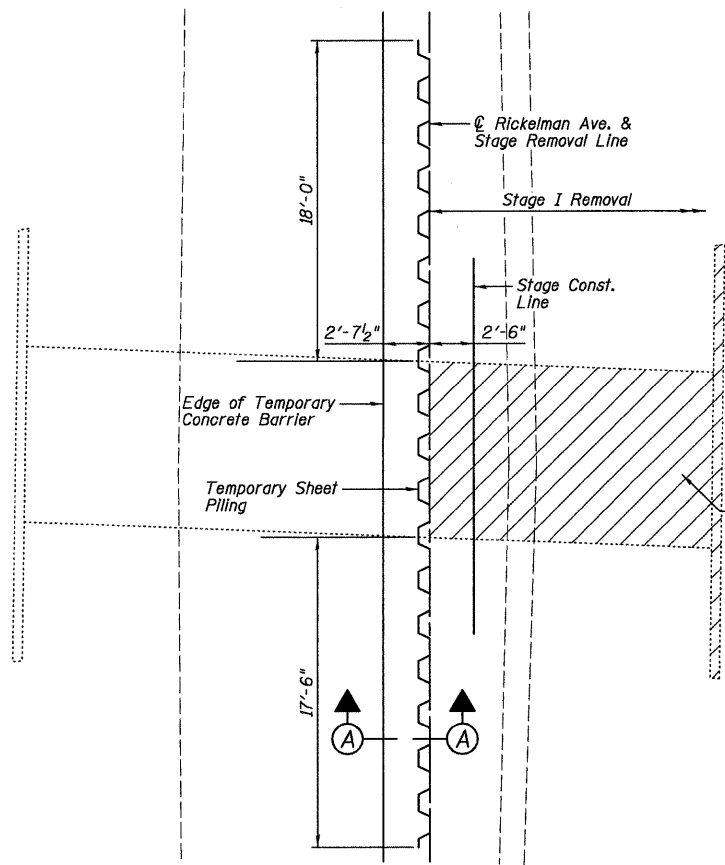


STATE OF ILLINOIS  
DEPARTMENT OF TRANSPORTATION

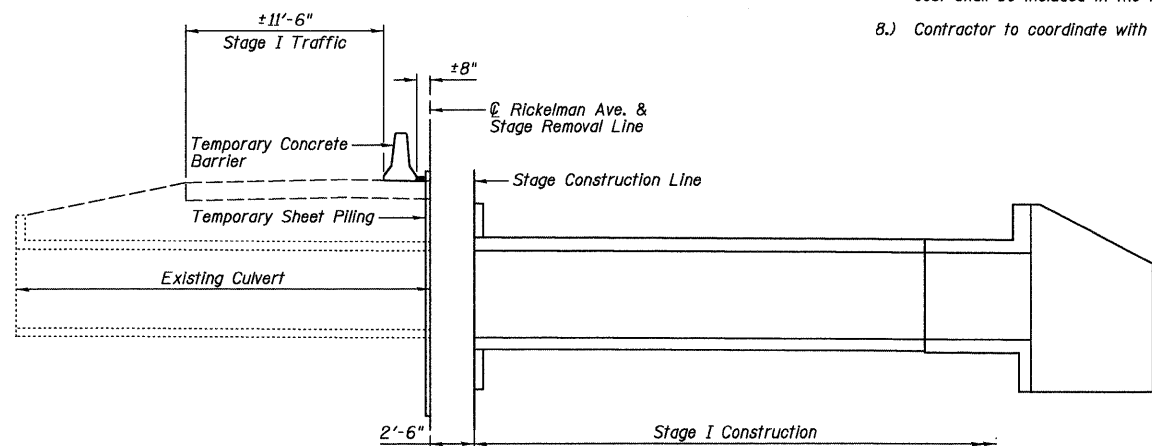


STAGE I REMOVAL

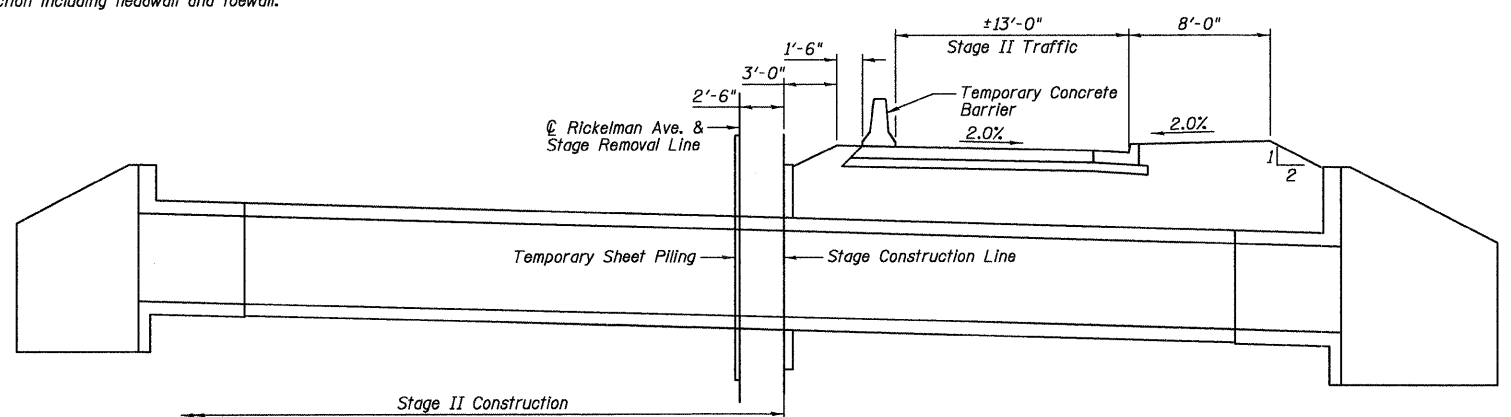
STAGE II REMOVAL

**NOTES:**

- 1.) If the Contractor chooses to alter the Temporary Sheet Piling design requirements shown on the plans, a sealed design submittal including plans and calculations shall be submitted to the Engineer for review and approval.
- 2.) See Sheet C3 for Temporary Sheet Piling Details.
- 3.) Within the width of the existing culvert, the Temporary Sheet Piling shall be placed in Stage I Removal. Contractor shall submit detailed plans to be approved by the Engineer showing how the earth and roadway material above the culvert shall be retained. At all times, a minimum cross sectional culvert area of 29 sq. ft. (75% of total opening) shall be maintained. The retained material above the culvert shall be adequately stable, in the judgment of the Engineer, to safely support the Temporary Concrete Barrier. Payment for the Temporary Sheet Piling shall include the area across the culvert width as if the Temporary Sheet Piling were continuous.
- 4.) The Contractor shall excavate behind existing sidewalls and saw cut existing sidewalls at the Stage Removal Line before removing the existing structure.
- 5.) Dimensions for Stage Construction are measured at right angles to the centerline of Rickelman Avenue.
- 6.) Quantities for Temporary Concrete Barrier are included in the roadway plans. See Standard 704001.
- 7.) It shall be the responsibility of the Contractor to divert the stream flow during construction in order to keep the construction area free of water. The water table shall be lowered below the bottom of the wingwalls and cutoff walls. The method of water diversion shall be subject to the approval of the Engineer and the cost shall be included in the Pay Item "Concrete Box Culverts."
- 8.) Contractor to coordinate with Precaster to determine precast section including headwall and toewall.



STAGE I CONSTRUCTION



STAGE II CONSTRUCTION

STAGE CONSTRUCTION PLAN

DESIGNED	SDH
CHECKED	MSW
DRAWN	JWK
CHECKED	MSW

DATE 10/19/10

SHEET NO. C2	F.A.P. RTE.	SECTION	COUNTY	TOTAL SHEETS	SHEET NO.
	10 SHEETS	07-00112-00-PV	EFFINGHAM	53	34
			CONTRACT NO. 95635		
FED. ROAD DIST. NO. 3 ILLINOIS FED. AID PROJECT					