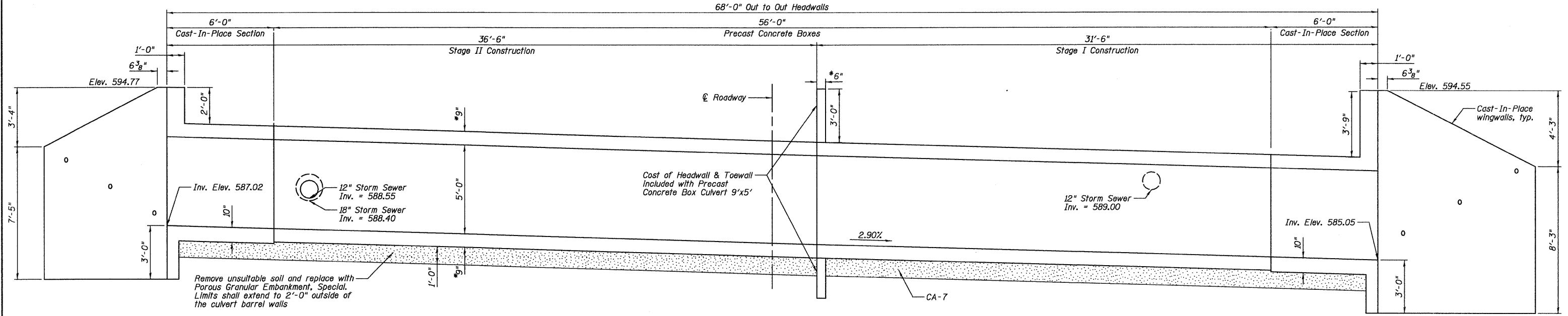
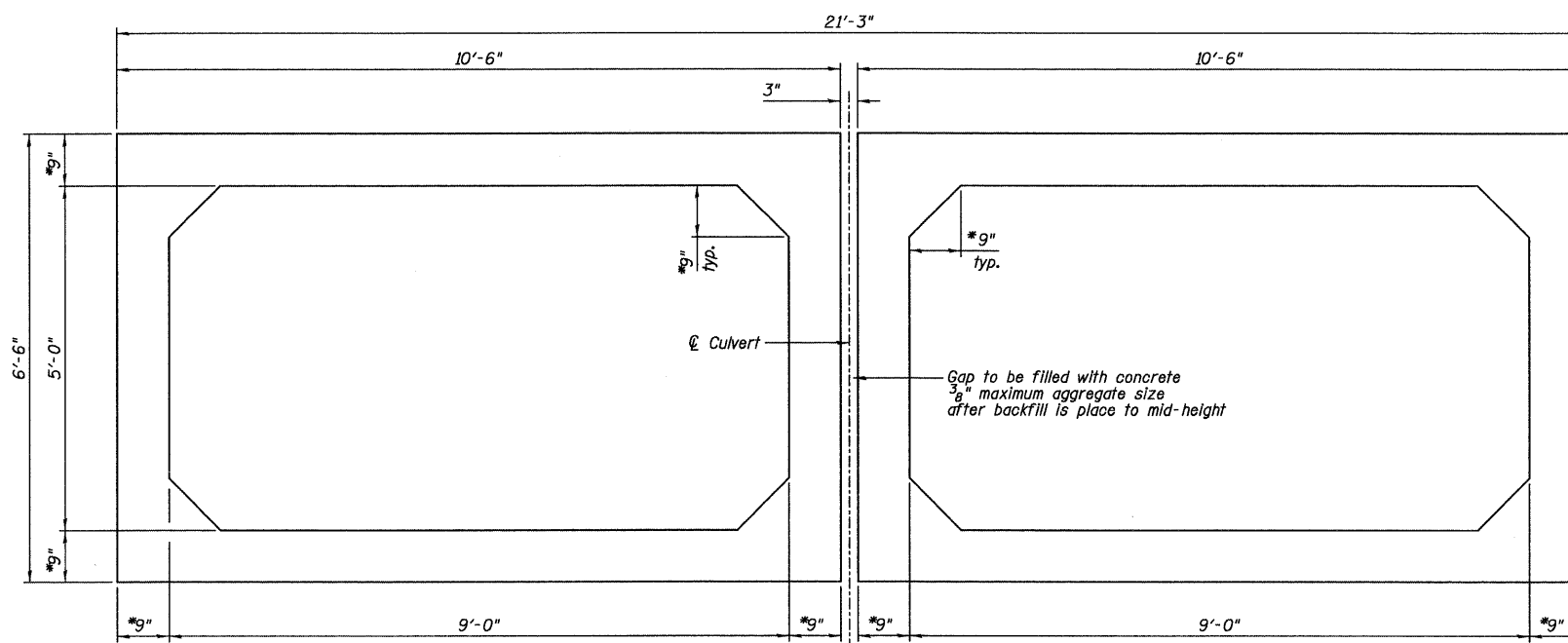


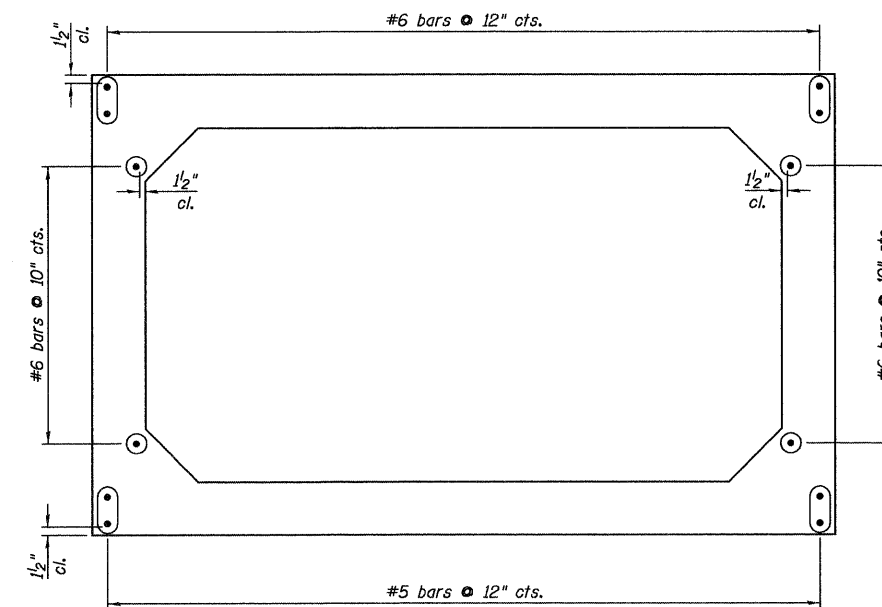
STATE OF ILLINOIS
DEPARTMENT OF TRANSPORTATION



LONGITUDINAL SECTION

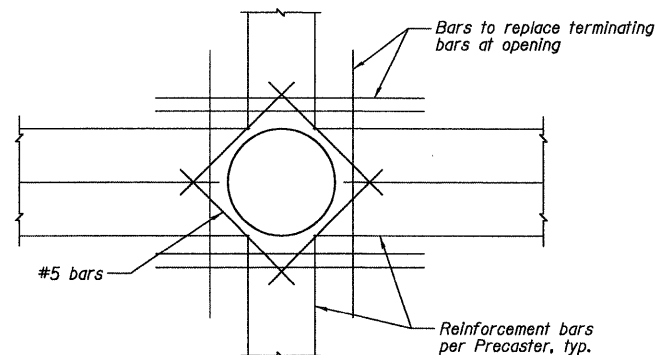


SECTION THRU PRECAST CONCRETE BARRELS



PRECAST CONCRETE CULVERT END ELEVATION

Section is symmetrical about centerline of culvert.



OPENING DETAIL

DESIGNED	SDH
CHECKED	MSW
DRAWN	JWK
CHECKED	MSW

DATE 10/19/10

NOTES:

- 1.) *Confirm slab and wall thickness with Precaster.
- 2.) For Cast-In-Place concrete portions, see Sheet C5-C8.

SHEET NO. C4 10 SHEETS	F.A.P. RTE.	SECTION	COUNTY	TOTAL SHEETS	SHEET NO.
		07-00112-00-PV	EFFINGHAM	53	36
	CONTRACT NO. 95635				
FED. ROAD DIST. NO. 3 ILLINOIS FED. AID PROJECT					