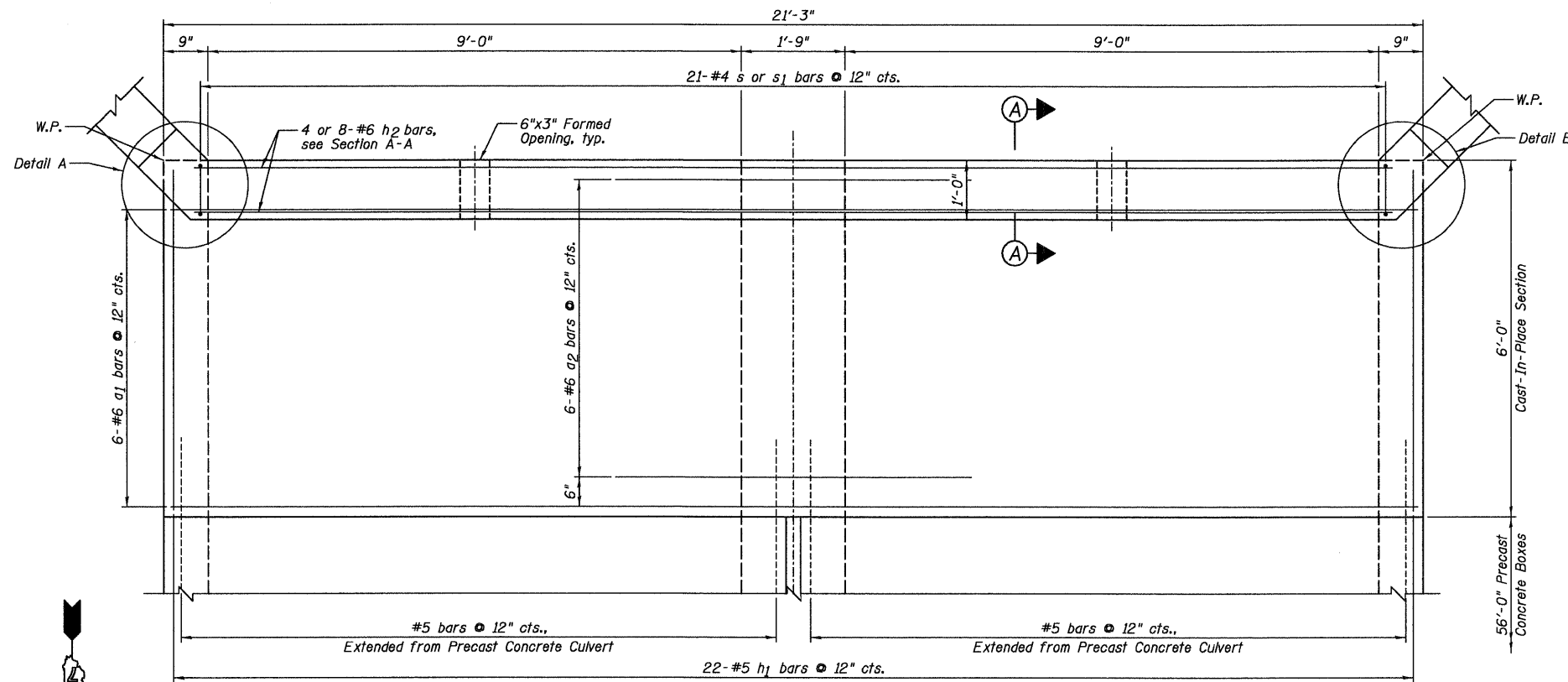
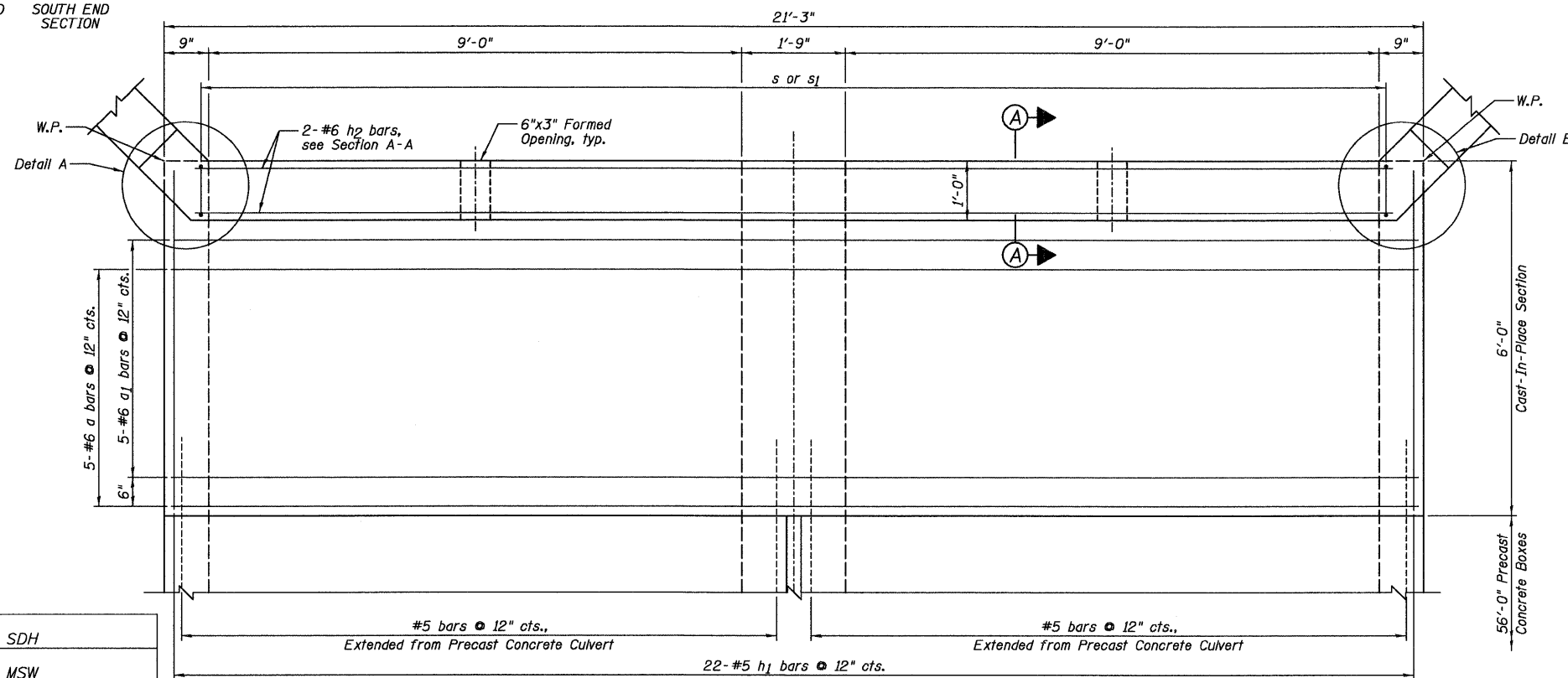


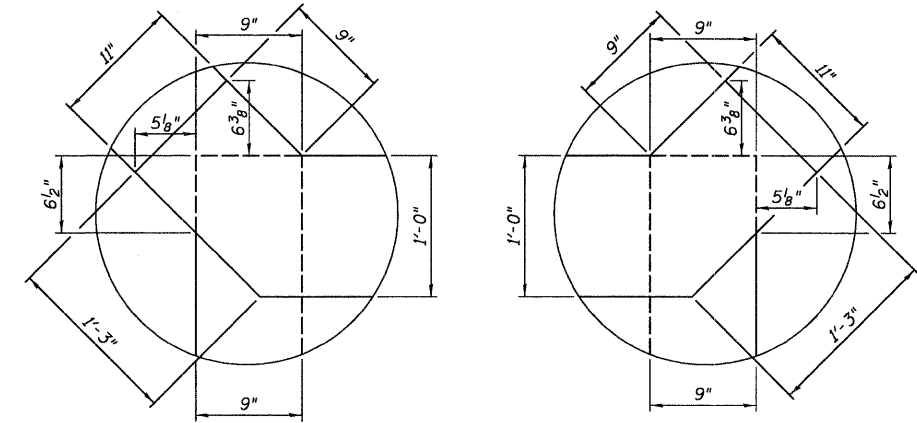
STATE OF ILLINOIS
DEPARTMENT OF TRANSPORTATION



TOP MAT OF REINFORCEMENT PLAN

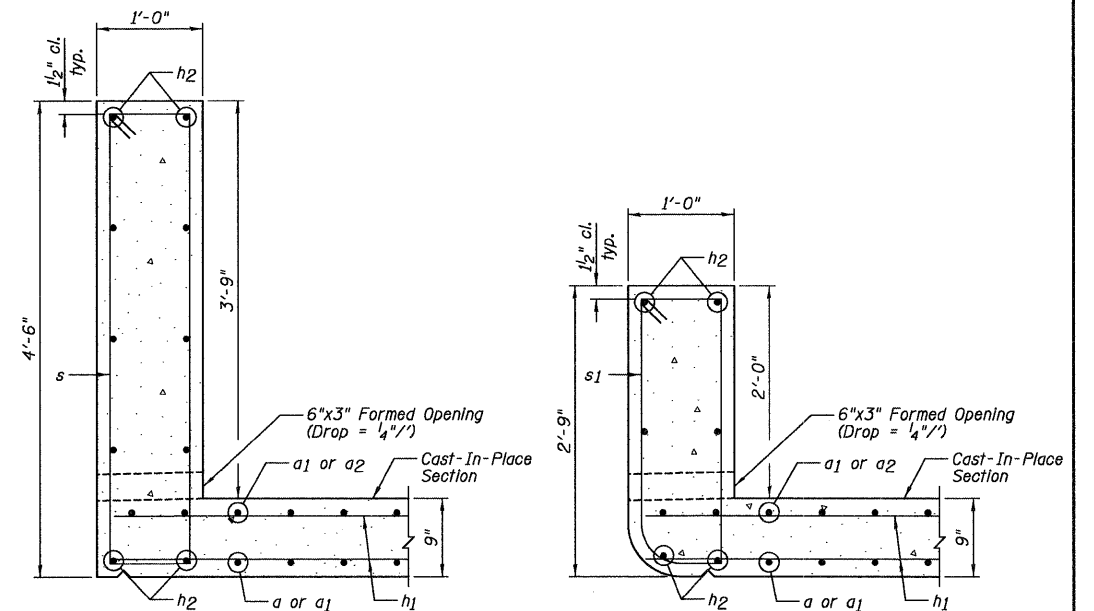


BOTTOM MAT OF REINFORCEMENT PLAN



DETAIL A

DETAIL B

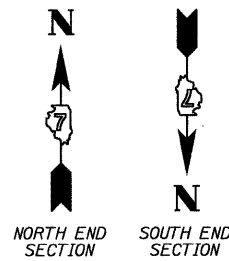


DOWNSTREAM HEADWALL

UPSTREAM HEADWALL

SECTION A-A

CAST-IN-PLACE TOP
SLAB PLAN AND SECTION



DESIGNED	SDH
CHECKED	MSW
DRAWN	JWK
CHECKED	MSW

DATE 10/19/10

FARNSWORTH GROUP, INC.

CONSULTING ENGINEERS - 104 N. SECOND ST., SUITE A, EFFINGHAM, ILLINOIS 62401 (217) 342-5668 / (217) 342-5853 FAX

NOTES:

- 1.) For Bill of Material, see Sheet C5.
- 2.) W.P. denotes Working Point.

SHEET NO. C6	F.A.P. RTE.	SECTION	COUNTY	TOTAL SHEETS	SHEET NO.
	10 SHEETS	07-00112-00-PV	EFFINGHAM	53	38
			CONTRACT NO. 95635		
FED. ROAD DIST. NO. 3 ILLINOIS FED. AID PROJECT					

24-8395