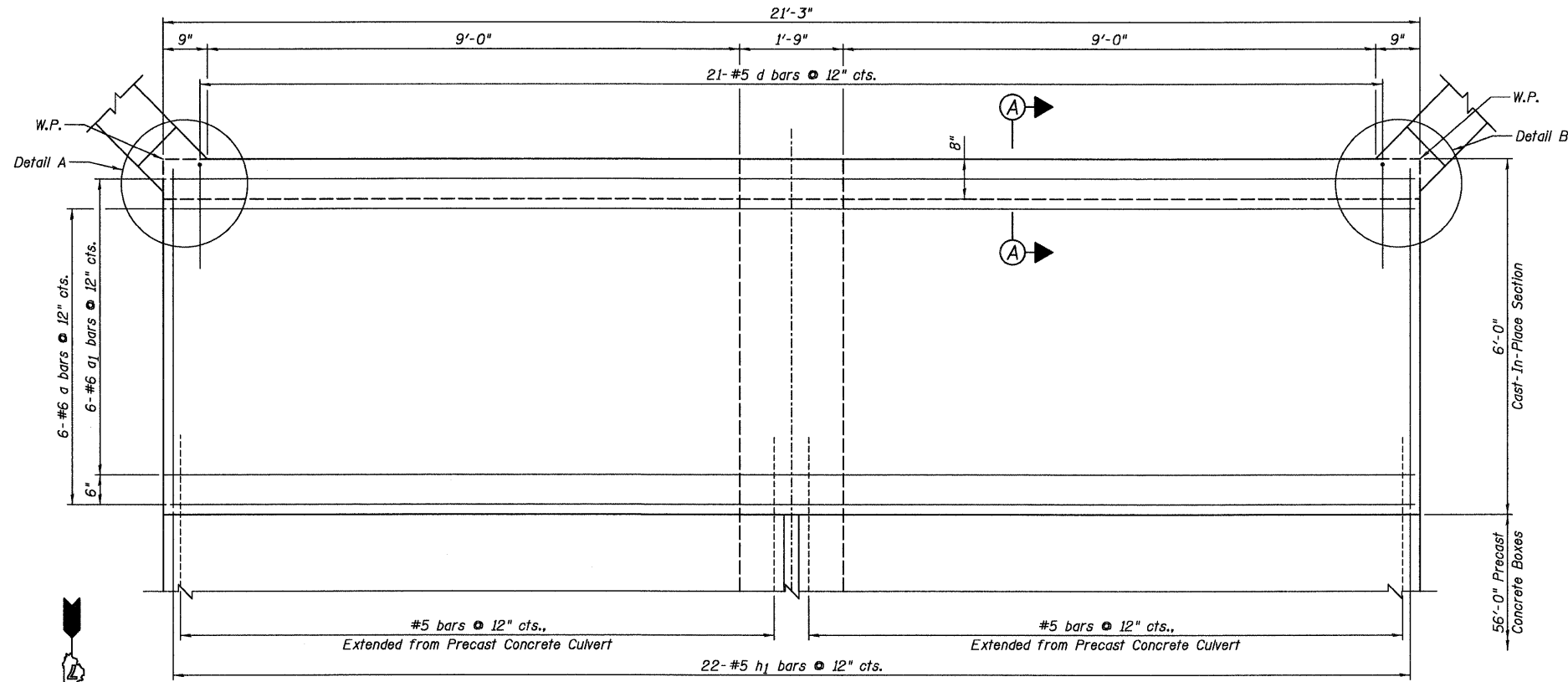
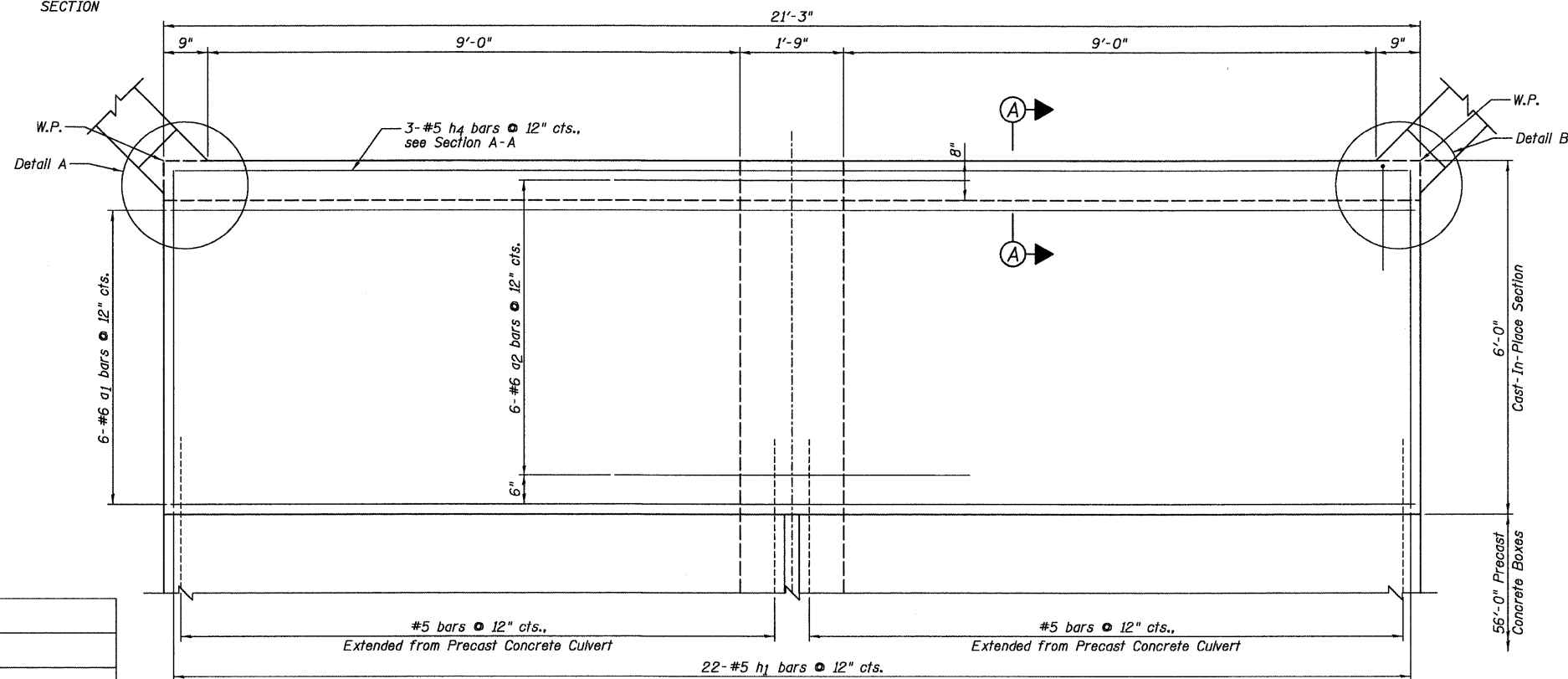


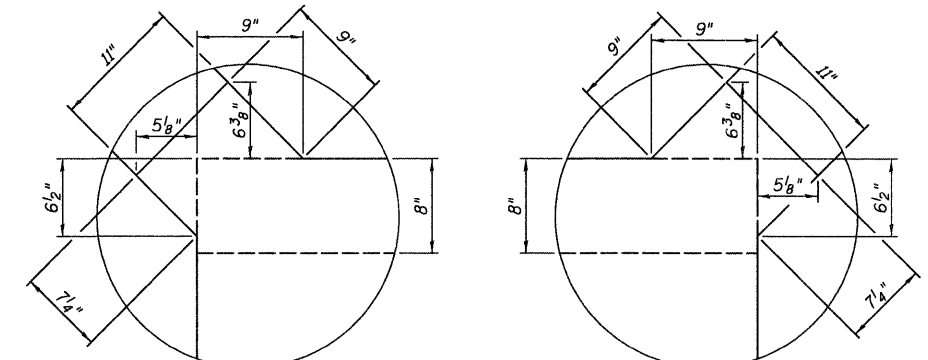
STATE OF ILLINOIS
DEPARTMENT OF TRANSPORTATION



TOP MAT OF REINFORCEMENT PLAN

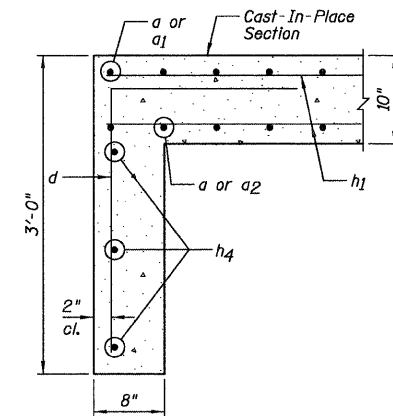


BOTTOM MAT OF REINFORCEMENT PLAN

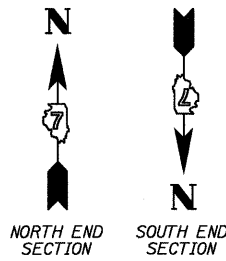


DETAIL A

DETAIL B



SECTION A-A



NORTH END SECTION

SOUTH END SECTION

DESIGNED	SDH
CHECKED	MSW
DRAWN	JWK
CHECKED	MSW

DATE 10/19/10

FARNSWORTH GROUP, INC.

NOTES:

- 1.) For Bill of Material, see Sheet C5.
- 2.) W.P. denotes Working Point.

CAST-IN-PLACE BOTTOM
SLAB PLAN AND SECTION

SHEET NO. C7 10 SHEETS	F.A.P. RTE.	SECTION	COUNTY	TOTAL SHEETS	SHEET NO.
		07-00112-00-PV	EFFINGHAM	53	39
			CONTRACT NO. 95635		
FED. ROAD DIST. NO. 3 ILLINOIS FED. AID PROJECT					