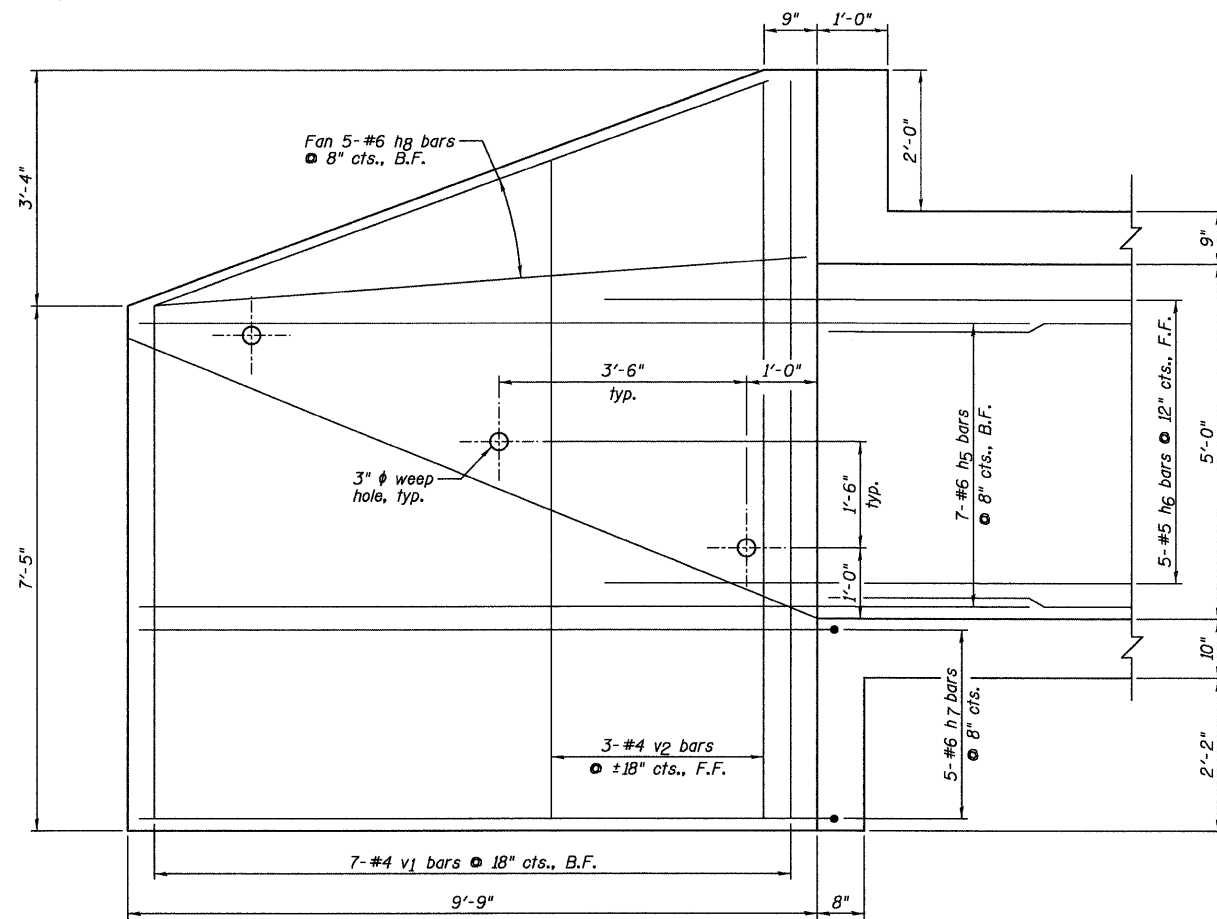
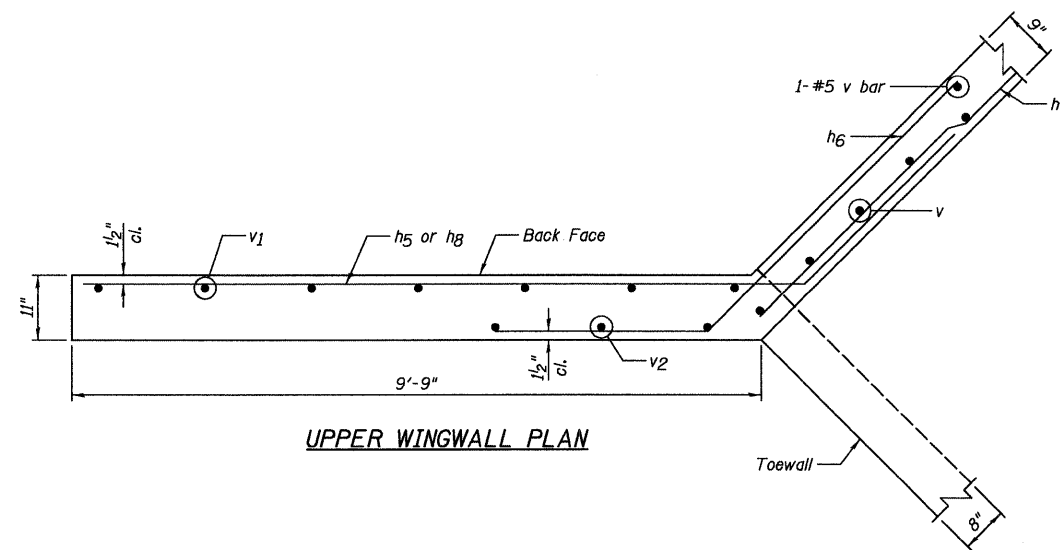


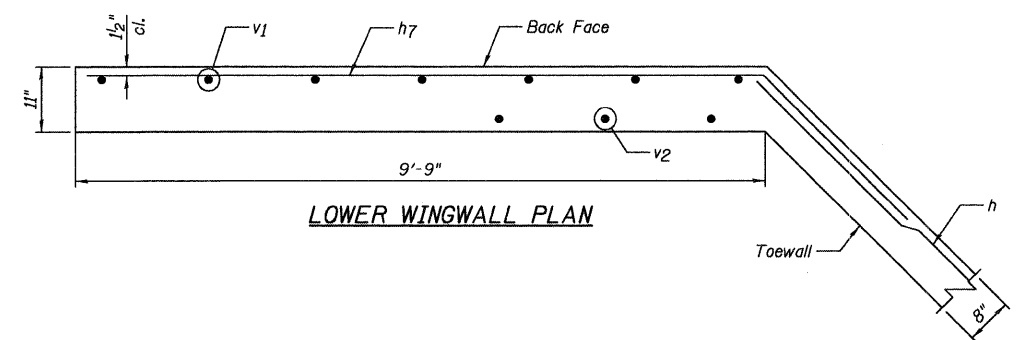
STATE OF ILLINOIS
DEPARTMENT OF TRANSPORTATION



NORTH WINGWALL ELEVATION
(Chain Link Fence not shown for clarity.)



UPPER WINGWALL PLAN



LOWER WINGWALL PLAN

WINGWALLS

DESIGNED	SDH
CHECKED	MSW
DRAWN	JWK
CHECKED	MSW

DATE 10/19/10

NOTES:

- 1.) For Bill of Material, see Sheet C5.
- 2.) B.F. denotes Back Face and F.F. denotes Front Face.
- 3.) Order v1 and v2 bars full length. Cut according to the Bar Cutting Diagram on Sheet C5. Use remainder of bars in adjacent wingwall.

SHEET NO. C8	F.A.P. RTE.	SECTION	COUNTY	TOTAL SHEETS	SHEET NO.
		07-00112-00-PV	EFFINGHAM	53	40
10 SHEETS	CONTRACT NO. 95635				
FED. ROAD DIST. NO. 3 ILLINOIS FED. AID PROJECT					