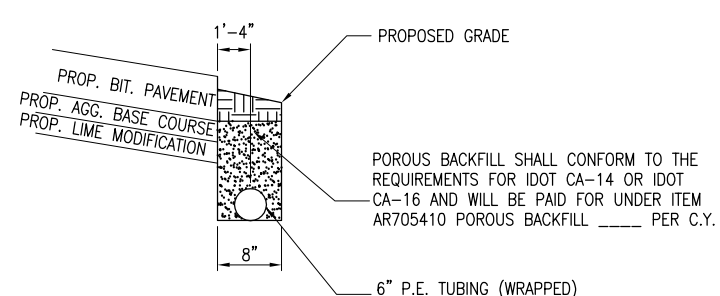
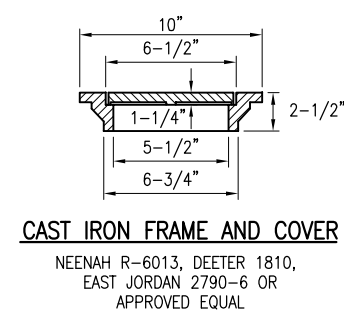
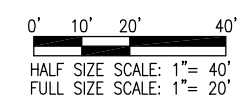
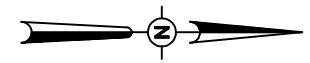


ELECTRICAL DUCT NOTE:
 THE ELECTRICAL CONTRACTOR WILL INSTALL THE PROPOSED DUCT BELOW THE FLOWLINE ELEVATION OF THE PROPOSED EDGEDRAIN. ANY ADDITIONAL EXCAVATION OR INCIDENTALS WILL BE CONSIDERED PART OF THE DUCT INSTALLATION AND NO ADDITIONAL COMPENSATION WILL BE ALLOWED.



- LEGEND**
- EXISTING IMPROVEMENTS
 - PROPOSED IMPROVEMENTS
 - PROPOSED 6" UNDER DRAIN
 - PROPOSED UNDER DRAIN INSPECTION HOLE



REVISION	DATE

EDGAR COUNTY AIRPORT
 PARIS, ILLINOIS
 ILL. PROJ.: PRG-4018 A.I.P. PROJ.: 3-17-0077-B13

FILENAME	SCALE	DATE	LAYOUT	BAK	01/10/11
R-131DRN_1.DWG	NOT TO SCALE	03/10/11	DRAWN	BAK	01/10/11
			REVIEWED	xxx	xx/xx/xx

HANSON
 © Copyright Hanson Professional Services Inc. 2011
 Hanson Professional Services Inc.
 1525 South Sixth Street
 Springfield, Illinois 62703-2886
 www.hanson-inc.com
 Offices Nationwide

CONSTRUCT CROSSWIND
 RUNWAY 18-36
 PROPOSED DRAINAGE PLAN
 STA. 105+00 TO STA. 115+00