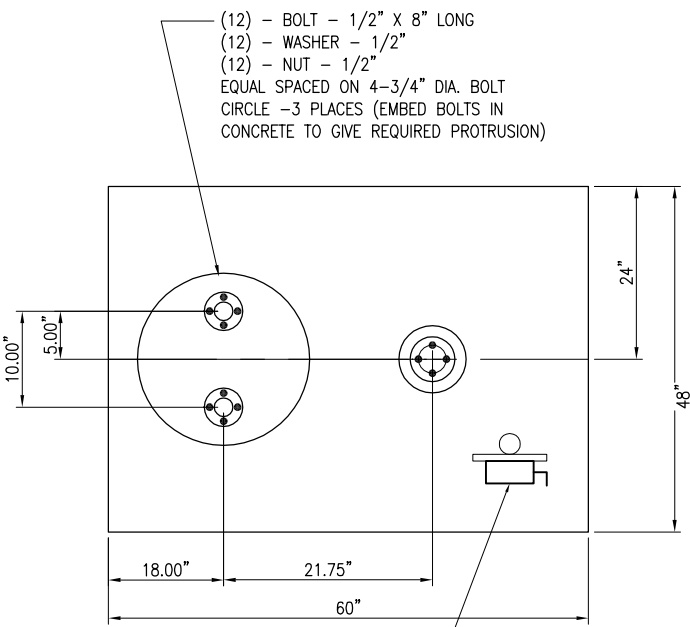
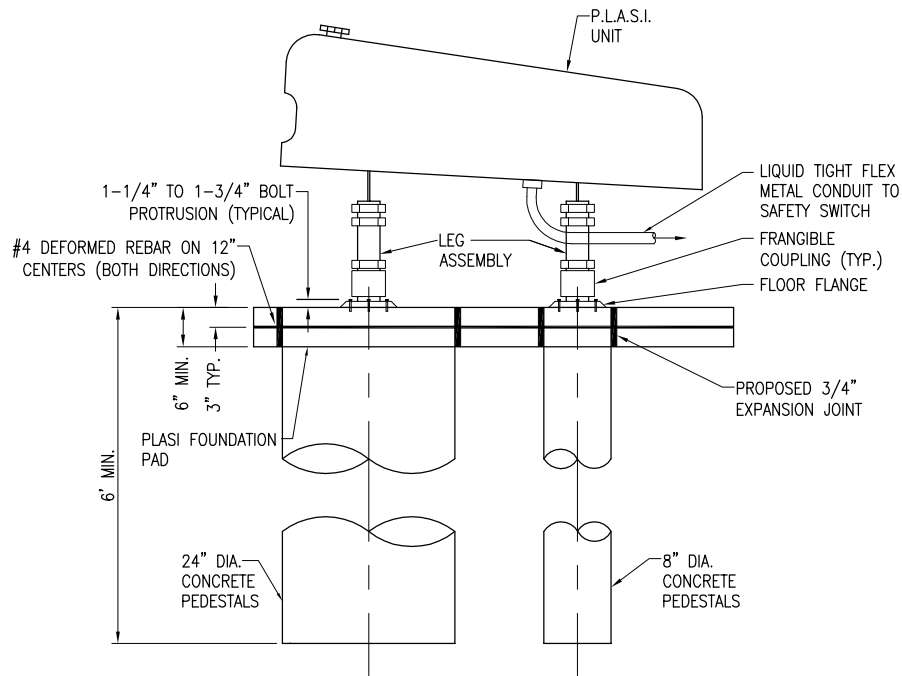


PLASI NOTES

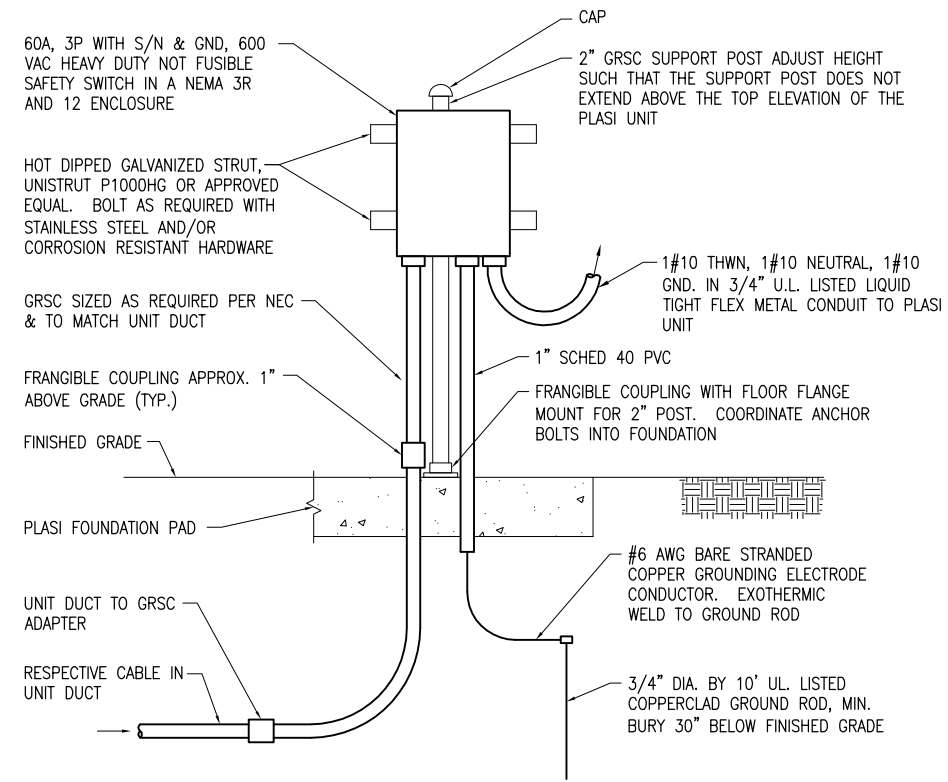
1. THE PROPOSED P.L.A.S.I. UNIT WILL BE LOCATED TO 87.5' LT. STA. 104+50 ALONG RUNWAY 18-36.
2. THE PROPOSED P.L.A.S.I. CONCRETE BASE WILL BE CONSTRUCTED AS SHOWN IN THE DETAIL ON THIS SHEET. CONFIRM DIMENSIONS OF PLASI MOUNTING HARDWARE WITH PLASI MANUFACTURER.
3. THE CONCRETE FOR THE PROPOSED P.L.A.S.I. BASE IN ACCORDANCE WITH ITEM 610.
4. THE POWER CABLES SHALL BE REROUTED AND PLACED A MINIMUM OF 18" BELOW THE FINISHED GRADE AND LOCATED AS SHOWN ON PROPOSED ELECTRICAL PLAN.
5. INSTALLATION OF THE P.L.A.S.I. UNIT, P.L.A.S.I. BASE, AND ALL INCIDENTALS WILL BE PAID FOR UNDER ITEM: AR125630 PLASI _____ 1 EACH.



FOUNDATION PAD PLAN
"NOT TO SCALE"

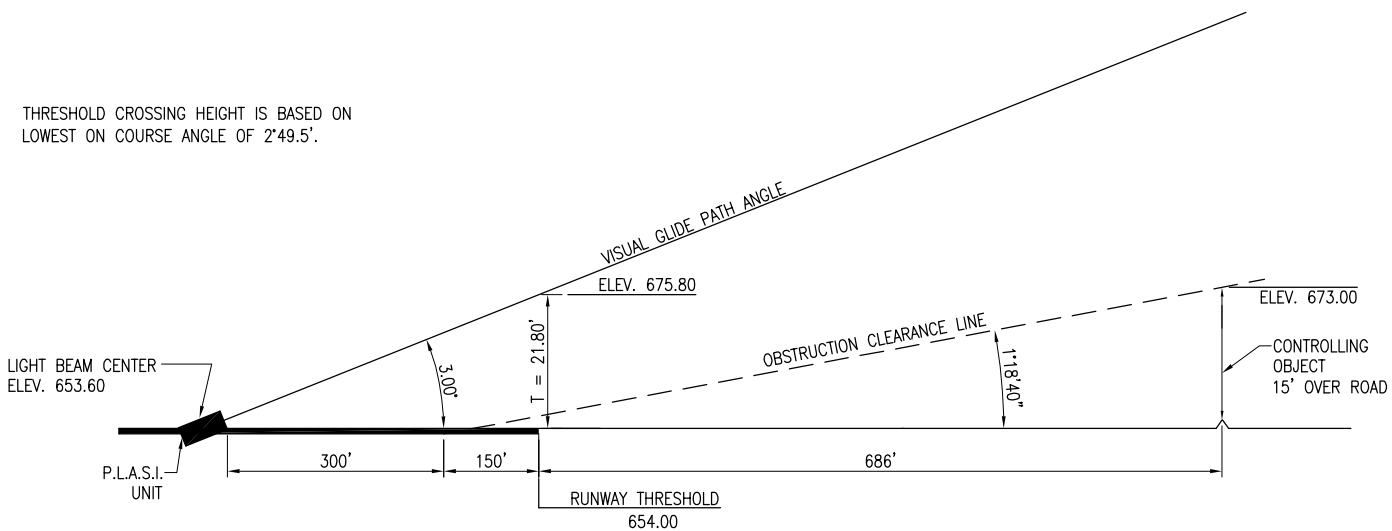


PLASI ELEVATION
"NOT TO SCALE"



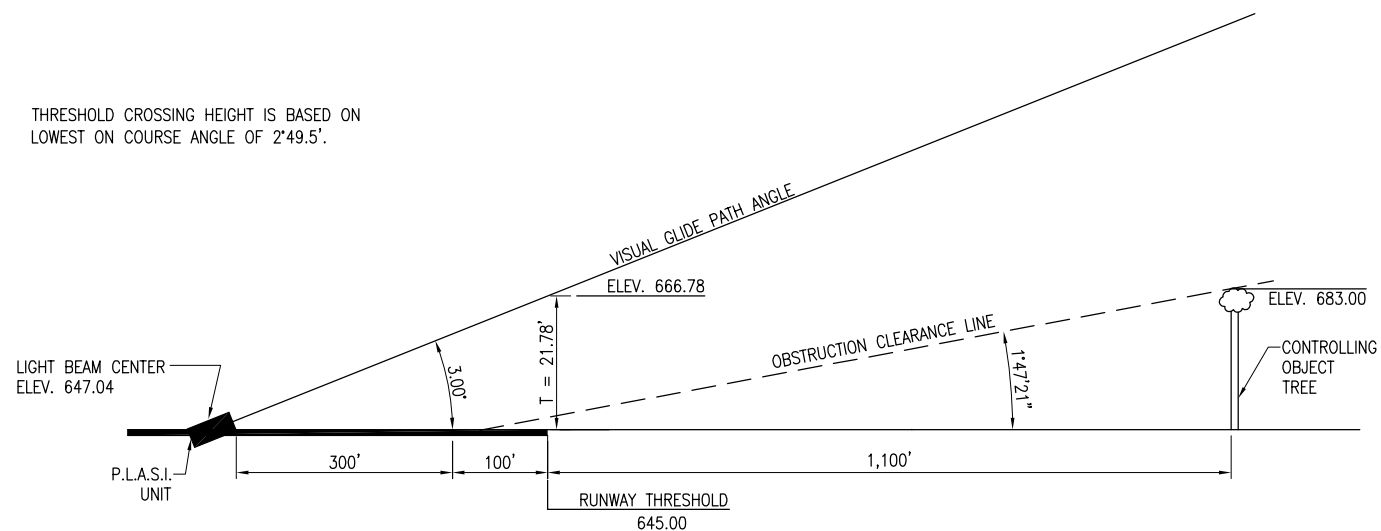
PLASI SAFETY SWITCH ELEVATION
"NOT TO SCALE"

THRESHOLD CROSSING HEIGHT IS BASED ON LOWEST ON COURSE ANGLE OF 2°49.5'.



P.L.A.S.I. AIMING DIAGRAM 36 END
"NOT TO SCALE"

THRESHOLD CROSSING HEIGHT IS BASED ON LOWEST ON COURSE ANGLE OF 2°49.5'.



P.L.A.S.I. AIMING DIAGRAM 18 END

REVISION	DATE

EDGAR COUNTY AIRPORT
PARIS, ILLINOIS
A.I.P. PROJ.: 3-17-0077-B13
IL PROJ.: PRG-4018

Hanson Proj. No. 10A0053	12/29/10
Filename: R-541ELE.DWG	CAH
Scale: AS SHOWN	01/07/10
Date: 03/10/11	MLH
LAYOUT	xx
DRAWN	xx
REVIEWED	xx

HANSON
Professional Services Inc. 2011
Hanson Professional Services Inc.
1525 South Sixth Street
Springfield, Illinois 62703-2886
www.hanson-inc.com
Offices Nationwide

CONSTRUCT CROSSWIND
RUNWAY 18-36
PROPOSED PLASI
RUNWAY END 36 AND
RUNWAY END 18

MAR 11, 2011 11:18 AM RINMED0461 C:\PWISE_WORK\DO_NOT_DELETE\DMST8063\R-541ELE.DWG